



BLE - W - _____ - N - _____ - _____ - _____ - _____ - _____
 A B C D E
 _____ - _____ - _____ - _____ - _____ - _____
 F G H I J K

Order Example: BLE - W - WHD12 - N - 355 - WGG - RIB - 355 - L-WL - CMG - NA - E26 - NA - NA

A - SHADE SIZE

DRAKE/DINO:
WHD12 12" Shade
WHD14 14" Shade

B - FINISHES

POWDER COAT FINISHES¹:

- 100** Black
- 105** Textured Black
- 200** White
- 300** Dark Green
- 307** Emerald Green
- 311** Jadite
- 370** Mint
- 380** Chartreuse
- 390** Teal
- 400** Barn Red
- 420** Orange
- 470** Watermelon
- 480** Blush Pink
- 490** Magenta
- 500** Buttery Yellow
- 570** Sunflower
- 600** Bronze
- 601** Chocolate
- 605** Rust
- 615** Oil-Rubbed Bronze
- 700** Royal Blue
- 705** Navy
- 710** Cobalt Blue
- 715** Delphite Blue
- 800** Industrial Grey
- 805** Charcoal Granite
- 810** Graphite
- 975** Galvanized

PORCELAIN FINISHES²:

- 150** Black
- 250** White
- 350** Vintage Green
- 355** Jadite
- 455** Cherry Red
- 550** Yellow
- 650** Bronze
- 750** Cobalt Blue
- 765** Delphite Blue
- 850** Graphite
- 950** Metallic Chrome

C - OPTIONAL ACCESSORY

- NA** None
- WC** Wire Cage
- TGG** Heavy Duty Guard^{3,4}
- CGG** Cast Guard^{3,4}
- WGG** Wire Guard^{3,4}

D - GLASS OPTION

- NA** Not Applicable
- CLR** Clear Glass^{3,4}
- FST** Frosted Glass^{3,4}
- RIB** Ribbed Glass^{3,4}
- CCR** Clear Crackle Glass^{3,4}
- SMK** Smoke Crackle Glass^{3,4}
- HCR** Honey Crackle Glass^{3,4}

E - OPTIONAL ACCESSORY FINISH

*Please Note: See Section B for all optional accessory finish options.
 (I) If a porcelain finish is selected, accessory will be powder coat painted-to-match.
 (II) If no accessory is selected in Section C, please select NA.*

- NA** Not Applicable

F - PLUG-IN OPTION⁵

- NA** None
- L-WL** Plug with Inline On/Off Switch

G - PLUG-IN CORD OPTION⁵

- NA** Not Applicable

CSA LISTED CORD OPTIONS:

- SBK** Standard Black Cord
- SWH** Standard White Cord
- CSB** Black Cloth Cord
- CSW** White Cloth Cord
- CSR** Red Cloth Cord
- CSBW** Black & White Cloth
- CSRW** Red & White Cloth
- CSBG** Black & Gold Cloth
- CSBP** Black & Pink Cloth
- CSGW** Gold & White Cloth
- CSUW** Blue & White Cloth
- CSBB** Black & Brown Cloth

NON-CSA LISTED CORD OPTIONS:

- CRZ** Red Chevron
- CMG** Grey Cotton
- CBK** Black Cotton

H - DUSK-TO-DAWN PHOTOCELL⁵

- NA** None/Not Applicable
- DD** Dusk-to-Dawn Photocell⁵

I - LIGHT SOURCE

- E26** 200 Watt Max³
- GU24** 24 Bi-Pin, 23W Max³
- LED11** 850 Lumen, 11W LED⁴
- LED16** 1250 Lumen, 16W LED⁴
- LED16.8** 1600 Lumen, 16W LED⁶

J - COLOR TEMPERATURE⁶

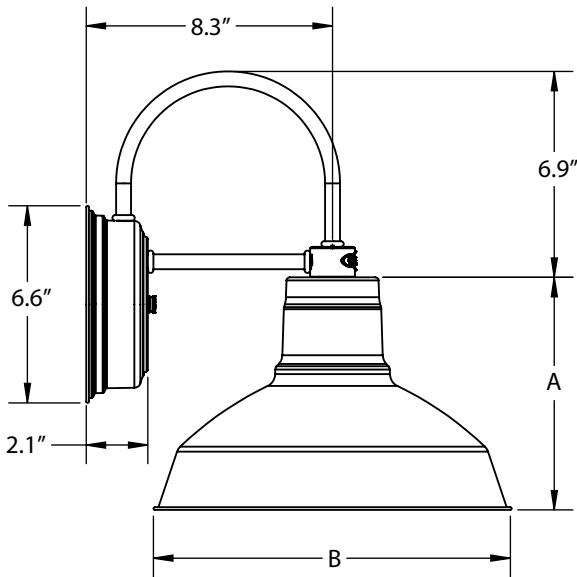
- NA** Not Applicable
- 2700K** 2700K, Warm White
- 3000K** 3000K, Neutral White
- 3500K** 3500K, Bright White
- 4000K** 4000K, Cool White

K - LED LENS⁶

- NA** Not Applicable
- DL** Domed Lens
- FL** Flat Lens

IMPORTANT: (1) All Powder Coat finished shades, with the exception of Galvanized, feature a white interior (2) All Porcelain Enamel finished shades feature a white interior and a black outer rim (3) Guard and Glass accessory reduces incandescent wattage to 100W Max, GU24 Bi-Pin to 18W Max and LED Max to 1600 Lumens (4) Select Light Source options not available with the Guard and Glass Accessory (5) Option not available if LED11 or LED16 Light Source is selected in Section I (6) Option only applicable if LED11 or LED16 Light Source is selected in Section I, select NA if E26, GU24 or LED16.8 Light Source selected

DIMENSIONAL DRAWING



SHADE CODE	HEIGHT (A)	DIAMETER (B)
WHD12	7.75"	12"
WHD14	8.50"	14"

LIGHT SOURCE

All published luminaire photometric testing performed to IESNA LM-79-08 standards by a NVLAP accredited laboratory. Data is considered to be representative of the configurations shown, within the tolerances allowed by Lighting Facts. To obtain an IES file specific to your project, please contact the factory.

OPTION	WATTAGE	LUMENS <small>*Avg. value, actual value dependent on bulb used</small>	CRI	VOLTAGE	DIMMING
LEDS					
LED11	11W	850	>90	120 VAC	TRIAC
LED16	16W	1250	>90	120 VAC	TRIAC
LED16.8	16W	1600	>90	120 VAC	TRIAC
INCANDESCENT (MED E26)					
E26	200W Max	3000*	100*	120 VAC	Bulb Dependant
COMPACT FLOURESCENT (GU24 CFL)					
GU24	23W Max	1600*	75*	120 VAC	Bulb Dependant

SPECIFICATIONS

CERTIFICATIONS, LISTINGS & WARRANTY

MADE IN THE USA
 Manufactured and Hand-Crafted in Our 60,000 Square Foot Facility
 Located in Titusville, FL

CSA LISTED FOR WET LOCATIONS
 If Plug-In Option Selected, CSA Listed for Damp Locations Only

LIMITED WARRANTY
 For Additional Information on Our Limited Warranty, Please See
 Our Terms & Conditions

SHADE & FINISHES

DRAKE SHADE
 Hand-Spun from High Purity 0.050" Thick 3003-O Temper
 Aluminum

DINO PORCELAIN SHADE
 Hand-Spun from 20 Guage Sheet Metal

POWDER COAT FINISHES
 Polyester Powder Coat Finishes Are Electro-Statically Applied and
 Thermocured

PORCELAIN FINISHES
 Applied by Hand and Fired in a High Temperature Oven

SPECIFICATIONS (CONTINUED)

LED SPECIFICATIONS

LUMEN MAINTENANCE

L90(6K) > 36,300 Hours

COLOR TEMPERATURES

Standard Color Temperatures Available Include 2700K, 3000K, 3500K and 4000K. Custom Temperatures Available upon Request.

CRI

Minimum 90 CRI. Consult Factory for Other CRI Options.

EFFICACY

Up to 100 LPW Based on Wattage/Lumens in the Table

DRIVER & DIMMING OPTION

850 and 1250 Lumen, Relient on Triac Dimming 12W / 120V Mounted in Canopy, up to 5% Dimming

DESIGN

BACKING PLATE

Hand-Spun from High Purity 0.050" Thick 3003-O Temper Aluminum

WALL SCONCE ARM

1/4" Nominal (0.50" Actual) Steel/Aluminum Mounting Arm