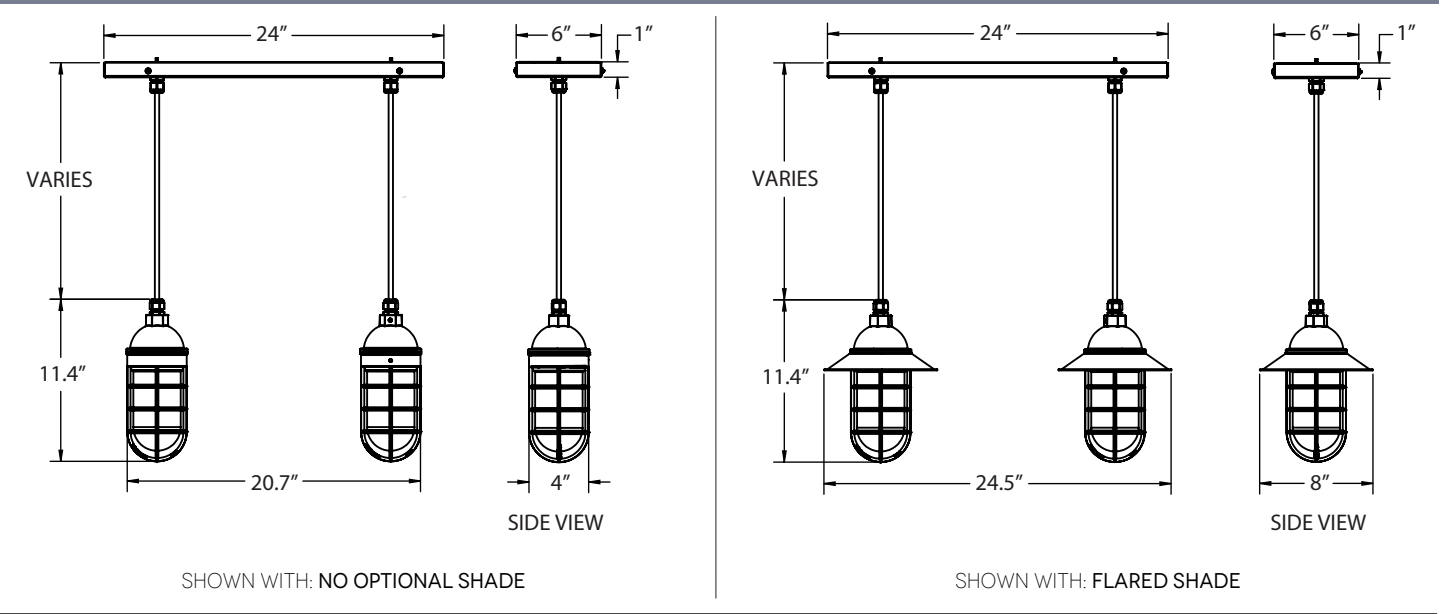


Order Example: BLE - C - CGG2 - VAN24 - 400 - SBK - 400 - FS - CGG - 400 - RIB - GU24 - NA

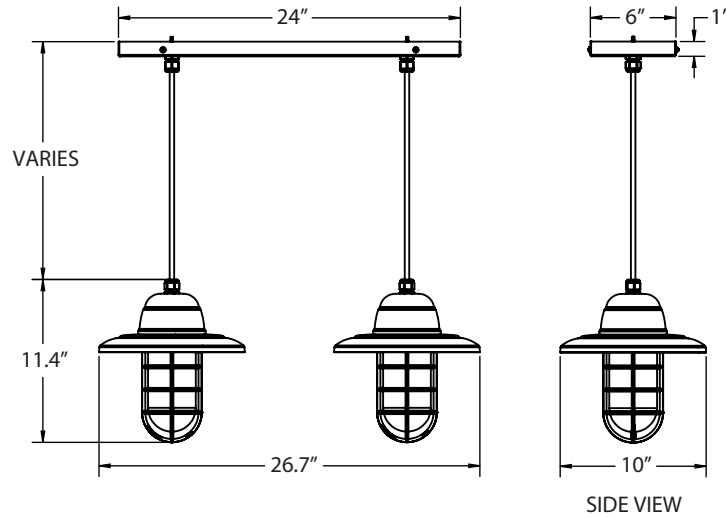
<p>A - FINISHES</p> <p><i>POWDER COAT FINISHES:</i></p> <p>100 Black 105 Textured Black 200 White 300 Dark Green 307 Emerald Green 311 Jadite 370 Mint 380 Chartreuse 390 Teal 400 Barn Red 420 Orange 470 Watermelon 480 Blush Pink 490 Magenta 500 Buttery Yellow 570 Sunflower 600 Bronze 601 Chocolate 605 Rust 615 Oil-Rubbed Bronze 700 Royal Blue 705 Navy 710 Cobalt Blue 715 Delphite Blue 800 Industrial Grey 805 Charcoal Granite 810 Graphite 975 Galvanized</p>	<p>B - CORDS</p> <p><i>CSA LISTED CORD OPTIONS:</i></p> <p>SBK Standard Black Cord SWH Standard White Cord</p> <p>C - CEILING CANOPY FINISH</p> <p><i>Please Note: See Section A for all applicable Ceiling Canopy Finish Options</i></p> <p>D - SHADE OPTION</p> <p>NA No Shade FS Flared Shade WH Warehouse Shade</p>	<p>E - CAST GUARD OPTION</p> <p>WGG Wire Guard CGG Standard Cast Guard TGG Heavy Duty Cast Guard</p> <p>F - CAST GUARD FINISH</p> <p><i>Please Note: See Section A for all applicable Cast Guard Finish Options</i></p> <p>G - GLASS OPTIONS</p> <p>CLR Clear Glass¹ FST Frosted Glass RIB Ribbed Glass CCR Clear Crackle Glass SMK Smoke Crackle Glass HCR Honey Crackle Glass</p>	<p>H - LIGHT SOURCE</p> <p>E26 100 Watt Max GU24 24 Bi-Pin, 18W Max² LED16.8 16W LED, 1600 LM</p> <p>I - COLOR TEMPERATURE³</p> <p>NA Not Applicable 2700K 2700K, Warm White 3000K 3000K, Neutral White 3500K 3500K, Bright White 4000K 4000K, Cool White</p>
--	--	---	---

IMPORTANT: (1) Clear Glass not recommended if LED16.8 Light Source Selected in Section H (2) Fixtures configured with a GU24 socket are non-returnable (3) Selection only applicable if LED16.8 Light Source is selected in Section H, select NA if another Light Source is selected

DIMENSIONAL DRAWINGS



DIMENSIONAL DRAWINGS (CONTINUED)



SHOWN WITH: WAREHOUSE SHADE

LIGHT SOURCE

All published luminaire photometric testing performed to IESNA LM-79-08 standards by a NVLAP accredited laboratory. Data is considered to be representative of the configurations shown, within the tolerances allowed by Lighting Facts. To obtain an IES file specific to your project, please contact the factory.

OPTION	WATTAGE	LUMENS <small>*Avg. value, actual value dependent on bulb used</small>	CRI	VOLTAGE	DIMMING
INCANDESCENT (MED E26)					
E26	100W Max	1600*	100*	120 VAC	Bulb Dependant
COMPACT FLOURESCENT (GU24 CFL)					
GU24	18W Max	1600*	75*	120 VAC	Bulb Dependant
LED					
LED16.8	16W	1600	>90	120 VAC	TRIAC

SPECIFICATIONS

LED SPECIFICATIONS

LUMEN MAINTENANCE
LED16.8 Source is L90(11K) > 61,000 Hours.

COLOR TEMPERATURES
Standard color temperatures available include 2700K, 3000K, 3500K and 4000K. Custom Temperatures Available upon Request.

CRI
Minimum 90 CRI, Consult Factory for Other CRI Options

EFFICACY
Up to 100 LPW Based on Wattage/Lumens in the Table

DRIVER & DIMMING OPTION
Relient on Triac Dimming 16W / 120V Integrated Driver, down to 1% Dimming. Requires Compatible Dimming Switch.

FINISH

POWDER COAT FINISHES
Polyester Powder Coat Finishes are Electro-Staticly Applied and Thermocured

CERTIFICATIONS, LISTINGS & WARRANTY

MADE IN THE USA
Manufactured and Hand-Crafted in our 60,000 Square Foot Facility Located in Titusville, FL

CSA LISTED FOR DAMP LOCATIONS

LIMITED WARRANTY
For Additional Information on our Limited Warranty, Please See Our Terms & Conditions