



REV 10.03.18

MARITIME/MARATHON SERIES

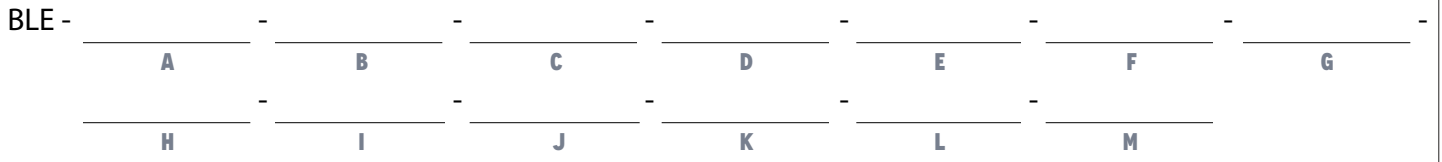
BARN LIGHT RLM FIXTURE FAMILY

Max Weight: 10.0 lbs

PROJECT NAME _____

PROJECT TYPE _____

SPS-0109



Order Example: BLE - C - YDM16 - 999 - SBK - 200 - NA - WGG - 975 - FST - NA - E26 - NA - NA

A - MOUNTING STYLE

- C Cord Hung
CN Chain Hung
F Flush Mount
G Gooseneck
S Stem Mount

B - SHADE SIZE

- MARITIME/MARATHON:
YDM12 12" Shade
YDM14 14" Shade
YDM16 16" Shade

C - SHADE FINISH

- POWDER COAT FINISHES:
100 Black
105 Textured Black
200 White
300 Dark Green
307 Emerald Green
311 Jadite
370 Mint
380 Chartreuse
390 Teal
400 Barn Red
420 Orange
470 Watermelon
480 Blush Pink
490 Magenta
500 Buttery Yellow
570 Sunflower
600 Bronze
601 Chocolate
605 Rust
615 Oil-Rubbed Bronze
700 Royal Blue
705 Navy
710 Cobalt Blue
715 Delphite Blue
800 Industrial Grey
805 Charcoal Granite
810 Graphite
975 Galvanized

- PORCELAIN FINISHES:
150 Black
250 White
350 Vintage Green
355 Jadite
455 Cherry Red
550 Yellow
650 Bronze
750 Cobalt Blue

C - SHADE FINISH (CONTINUED)

- PORCELAIN FINISHES:
765 Delphite Blue
850 Graphite
950 Metallic Chrome
NATURAL FINISHES:
995 Raw Copper
996 Weathered Copper
997 Raw Brass
998 Weathered Brass
999 Oil-Rubbed Copper

D - MOUNTING

- CSA LISTED CORD OPTIONS:
SBK Standard Black
SWH Standard White
CSB Black Cloth
CSW White Cloth
CSR Red Cloth
CSBB Black & Brown Cloth
CSRW Red & White Cloth
CSGW Gold & White Cloth
CSBG Black & Gold Cloth
CSBW Black & White Cloth
CSBP Black & Pink Cloth
CSUW Blue & White Cloth

NON-CSA LISTED CORD OPTIONS:

- CBK Black Cotton
CMG Grey Cotton
CRZ Red Chevron
TBK Black Cotton Twist
TWH White Cotton Twist
TBR Brown Cotton Twist
TRD Red Cotton Twist
TPT Putty Cotton Twist
TBW Black & White Twist
TRW Red & White Twist
TBB Brown & Beige Twist

CHAIN MOUNT OPTIONS:

- CN36 3' of Chain
CN48 4' of Chain
CN60 5' of Chain
CN72 6' of Chain

FLUSH MOUNT OPTIONS:

- FM'

GOOSENECK OPTIONS:

- G1' G16'
G2' G17
G3' G19
G4' G22

D - MOUNTING (CONTINUED)

- GOOSENECK OPTIONS:
G5' G24
G6' G25
G7' G26
G8' G32
G9' G34
G10' G35
G11' G36
G12' G40
G13' G64
G14' G65
G15

STEM MOUNT OPTIONS:

- ST506 .5" Stem Mount, 6"
ST512 .5" Stem Mount, 12"
ST518 .5" Stem Mount, 18"
ST524 .5" Stem Mount, 24"
ST536 .5" Stem Mount, 36"
ST548 .5" Stem Mount, 48"
ST706 .75" Stem Mount, 6"
ST712 .75" Stem Mount, 12"
ST718 .75" Stem Mount, 18"
ST724 .75" Stem Mount, 24"
ST736 .75" Stem Mount, 36"
ST748 .75" Stem Mount, 48"

E - MOUNTING FINISH

- 980 Brushed Aluminum
Please Note: See Section C for Finish Options. 980-Brushed Aluminum is also available for Gooseneck and Stem mounting styles. If Porcelain Finish is selected, mounting will be powder coat painted-to-match.
(I) If Cord Hung [C] or Flush Mount [F] Mounting Style, selection identifies canopy finish
(II) If Chain Hung [CN] Mounting Style, selection identifies chain and canopy finish
(III) If Stem Mount [S] Mounting Style, selection identifies stem and canopy finish

F - CORDS

- NA Not Applicable
Please Note: See Section D for all applicable CSA Listed Cord Options. Non-CSA Listed Cord Options for Chain Hung Mounting Style limited to: Black Cotton [CBK], Red Chevron [CRZ] and Grey Cotton [CMG]

G - SHADE ACCESSORIES

- NA None
WC Wire Cage
TGG Heavy Duty Guard
CGG Cast Guard
WGG Wire Guard

H - SHADE ACCESSORY FINISH

- Please Note: See Section C for Finish Options. Natural Finishes not applicable with Wire Cage or Guard. If Porcelain Finish is selected, accessory will be powder coat painted-to-match
NA Not Applicable

I - GLASS OPTION

- NA Not Applicable
CLR Clear Glass
FST Frosted Glass
RIB Ribbed Glass
CCR Clear Crackle Glass
SMK Smoke Crackle Glass
HCR Honey Crackle Glass

J - MOUNTING ACCESSORY

- NA None/Not Applicable
HSC Hang Straight Canopy
HDSMC Heavy Duty Stem Mount Canopy
HDBP Heavy Duty Backing Plate
DD Dusk-to-Dawn Photocell
DBPC Decorative Backing Plate Cover
LDBPC LED Decorative Backing Plate Cover
DCHX Decorative Backing Plate Cover & Hex Cover
LDCHX LED Decorative Backing Plate Cover & Hex Cover

K - LIGHT SOURCE

- E26 200 Watt Max
GU24 24 Bi-Pin, 23W Max
LED16.8 1600 Lumen, 16W LED

L - COLOR TEMPERATURE

- NA Not Applicable
2700K 2700K, Warm White
3000K 3000K, Neutral White
3500K 3500K, Bright White
4000K 4000K, Cool White

M - LED LENS

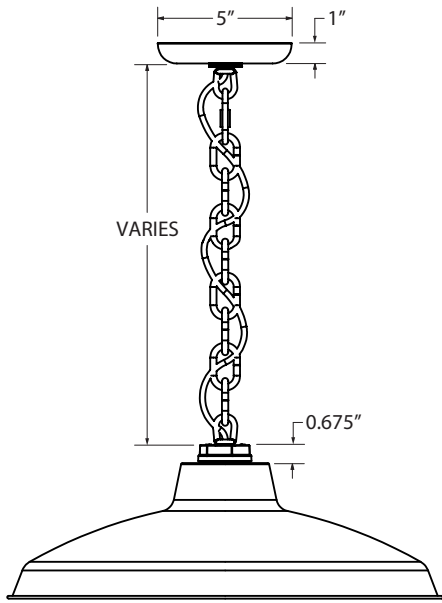
- NA Not Applicable
DL Domed Lens
FL Flat Lens

IMPORTANT: (1) Not available in Natural Finishes (2) Not available in Porcelain Enamel (3) All Powder Coat finished shades, Galvanized excluded, feature a white interior (4) All Porcelain Enamel finished shades feature a white interior and a black outer rim (5) Not available in LED (6) Guard and Glass accessory reduces incandescent wattage to 100W Max, GU24 Bi-Pin to 18W Max and LED Max to 1600 Lumens (7) Not available with the Guard & Glass Accessory (8) Only applicable if an LED Light Source is selected in Section K, select NA if another light source is selected (9) Wire Cage not available with select size (10) Only applicable if Chain Hung Mounting Style selected in Section A, select NA if another Mounting Style is selected (11) Natural Finishes have a longer estimated manufacturing time, please check the website for exact lead time. There are no returns accepted on Natural Finishes (12) Not recommended if LED Light Source is selected in Section K (13) Not applicable if LED16.8 Light Source selected in Section K (14) Only applicable if Stem Mounting Style is selected in Section A (15) LED Light Source only applicable if a TGG, CGG or WGG is selected in Section G

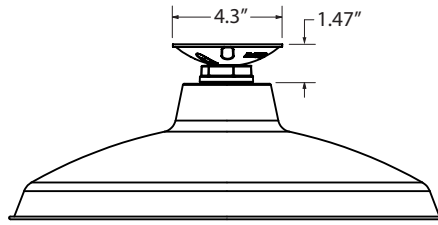
MOUNTING STYLE

Galvanized steel shades are crafted from 20 Ga Sheet metal while 1100-0 Aluminum—ranging from ranging from 0.050" to 0.125"—is used for all other shades. All shades have their edges rolled, and the result is highly durable and stylish lighting.

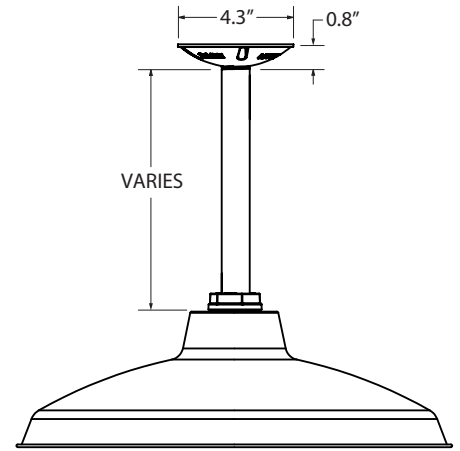
CHAIN HUNG PENDANT (CN)



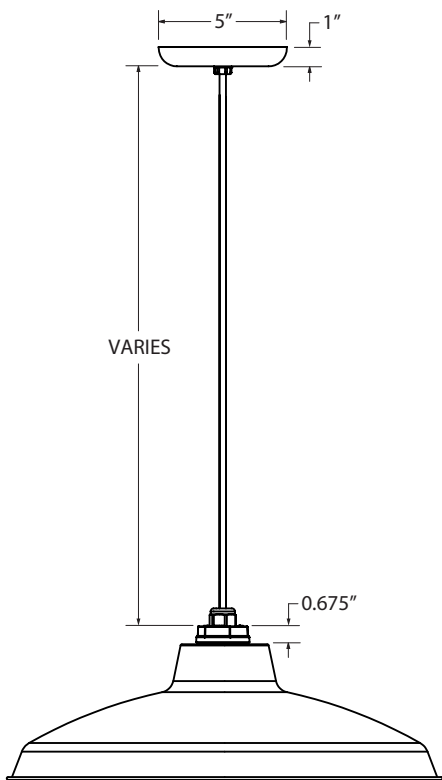
FLUSH MOUNT (F)



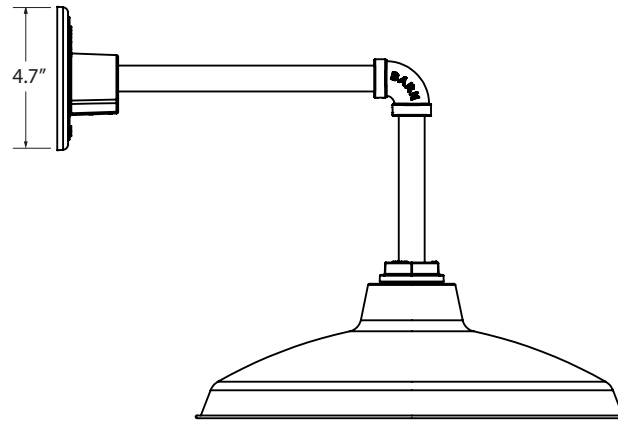
STEM MOUNT PENDANT (S)



CORD HUNG PENDANT (C)

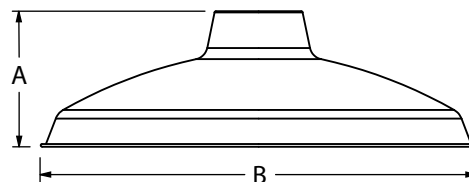


GOOSENECK (G)



SHOWN WITH: G35 GOOSENECK ARM

AVAILABLE SHADE SIZES



SHADE CODE	HEIGHT (A)	DIAMETER (B)
YDM12	3.50"	12"
YDM14	4.25"	14"
YDM16	5"	16"

LIGHT SOURCE

All published luminaire photometric testing performed to IESNA LM-79-08 standards by a NVLAP accredited laboratory. Data is considered to be representative of the configurations shown, within the tolerances allowed by Lighting Facts. To obtain an IES file specific to your project, please contact the factory.

OPTION	WATTAGE	LUMENS <small>*Avg. value, actual value dependent on bulb used</small>	CRI	VOLTAGE	DIMMING
LED					
LED16.8	16W	1600	>90	120 VAC	TRIAC
INCANDESCENT (MED E26)					
E26	200W Max	*3000	*100	120 VAC	Bulb Dependant
COMPACT FLOURESCENT (GU24 CFL)					
GU24	23W Max	*1600	*75	120 VAC	Bulb Dependant

SPECIFICATIONS

MOUNTING

STEM
1/2" Nominal (0.84" Actual) or 3/4" Nominal (1.05" Actual) Sch 40, 6063 Aluminum Mounting Stem. Custom Lengths Available upon Request.

GOOSENECK
1/2" Nominal (0.84" Actual) or 3/4" Nominal (1.05" Actual) Sch 40, 6063 Aluminum Gooseneck

CORD
Cord-hung Pendants Include 7' Of Standard Cord Or 5' Of Cotton Cord, +/- For Socket Orientation

SHADE & FINISHES

MARITIME SHALLOW BOWL SHADE
Hand-Spun from High Purity 0.050" Thick 3003-O Temper Aluminum

MARATHON PORCELAIN SHADE
Hand-Spun from 20 Guage Sheet Metal

POWDER COAT FINISHES
Polyester Powder Coat Finishes Are Electro-Statically Applied and Thermocured

PORCELAIN FINISHES
Applied by Hand and Fired in a High Temperature Oven

LED SPECIFICATIONS

LUMEN MAINTENANCE
L90(11K) > 61,000 Hours.

COLOR TEMPERATURES
Standard Color Temperatures Available Include 2700K, 3000K, 3500K and 4000K. Custom Temperatures Available upon Request.

CRI
Minimum 90 CRI. Consult Factory for Other CRI Options.

EFFICACY
Up to 100 LPW Based on Wattage/Lumens in the Table

CERTIFICATIONS, LISTINGS & WARRANTY

MADE IN THE USA
Manufactured and Hand-Crafted in Our 60,000 Square Foot Facility Located in Titusville, FL

CSA LISTED FOR WET LOCATIONS
Includes All Stem and Gooseneck Mounting Styles

CSA LISTED FOR DAMP LOCATIONS
Includes All Chain and Select Cord Hung Mounting Styles

LIMITED WARRANTY
For Additional Information on Our Limited Warranty, Please See Our Terms & Conditions