



REV 08.28.19

LOCKE/LOMA COLLECTION

BARN LIGHT RLM FIXTURE FAMILY

Max Weight: 10.0 lbs

PROJECT NAME _____

PROJECT TYPE _____

SPS-0013

BLE - _____ - _____ - _____ - _____ - _____ - _____ - _____

A B C D E F G

_____ - _____ - _____

H I J

Order Example: BLE - C - DBL16 - 750 - NA - CSUW - 750 - NA - E26 - NA - NA

A - MOUNTING STYLE

- C** Cord Hung
- S** Stem Mount
- CN** Chain Hung

B - SHADE & SHADE SIZE

- THE LOCKE/LOMA:**
- DBL12**
 - DBL16**
 - DBL20^{1,5}**

C - EXTERIOR SHADE FINISH

POWDER COAT FINISHES:

- 100** Black
- 105** Textured Black
- 200** White
- 300** Dark Green
- 307** Emerald Green
- 311** Jadite
- 370** Mint
- 380** Chartreuse
- 390** Teal
- 400** Barn Red
- 420** Orange
- 470** Watermelon
- 480** Blush Pink
- 490** Magenta
- 500** Buttery Yellow
- 570** Sunflower
- 600** Bronze
- 601** Chocolate
- 605** Rust
- 615** Oil-Rubbed Bronze
- 700** Royal Blue
- 705** Navy
- 710** Cobalt Blue
- 715** Delphite Blue
- 800** Industrial Grey
- 805** Charcoal Granite
- 810** Granite
- 975** Galvanized

PORCELAIN FINISHES:

- 150** Black
- 250** White
- 350** Vintage Green
- 355** Jadite
- 455** Cherry Red
- 550** Yellow
- 650** Bronze
- 750** Cobalt Blue
- 765** Delphite Blue

C - EXTERIOR SHADE FINISH (CONTINUED)

PORCELAIN FINISHES:

- 850** Graphite
- 950** Metallic Chrome

NATURAL FINISHES²:

- 995** Raw Copper
- 996** Weathered Copper
- 997** Raw Brass⁸
- 998** Weathered Brass⁸
- 999** Oil-Rubbed Copper

D - INTERIOR SHADE FINISH³

- NA** Not Applicable

POWDER COAT FINISHES³:

- 100** Black
- 105** Textured Black
- 200** White
- 300** Dark Green
- 307** Emerald Green
- 311** Jadite
- 370** Mint
- 380** Chartreuse
- 390** Teal
- 400** Barn Red
- 420** Orange
- 470** Watermelon
- 480** Blush Pink
- 490** Magenta
- 500** Buttery Yellow
- 570** Sunflower
- 600** Bronze
- 601** Chocolate
- 605** Rust
- 615** Oil-Rubbed Bronze
- 700** Royal Blue
- 705** Navy
- 710** Cobalt Blue
- 715** Delphite Blue
- 800** Industrial Grey
- 805** Charcoal Granite
- 810** Graphite
- 975** Galvanized

NATURAL FINISHES:

- 995** Raw Copper
- 997** Raw Brass

E - MOUNTING

CSA LISTED CORD OPTIONS:

- SBK** Standard Black
- SWH** Standard White
- CSB** Black Cloth
- CSW** White Cloth
- CSR** Red Cloth
- CSBW** Black & White Cloth
- CSRW** Red & White Cloth
- CSBG** Black & Gold Cloth
- CSBP** Black & Pink Cloth
- CSGW** Gold & White Cloth
- CSUW** Blue & White Cloth
- CSBB** Black & Brown Cloth

NON-CSA LISTED CORD OPTIONS:

- CBK** Black Cotton
- CRZ** Red Chevron
- CMG** Grey Cotton
- TBW** Black & White Twist
- TBK** Black Cotton Twist
- TWH** White Cotton Twist
- TRW** Red & White Twist
- TBR** Brown Cotton Twist
- TBB** Brown & Beige Twist
- TRD** Red Cotton Twist
- TPT** Putty Cotton Twist

STEM MOUNT OPTIONS:

- ST506** .5" Stem Mount, 6"
- ST512** .5" Stem Mount, 12"
- ST518** .5" Stem Mount, 18"
- ST524** .5" Stem Mount, 24"
- ST536** .5" Stem Mount, 36"
- ST548** .5" Stem Mount, 48"
- ST706** .75" Stem Mount, 6"
- ST712** .75" Stem Mount, 12"
- ST718** .75" Stem Mount, 18"
- ST724** .75" Stem Mount, 24"
- ST736** .75" Stem Mount, 36"
- ST748** .75" Stem Mount, 48"

CHAIN MOUNT OPTIONS:

- CN36** 3' of Chain¹
- CN48** 4' of Chain¹
- CN60** 5' of Chain¹
- CN72** 6' of Chain¹

F - MOUNTING FINISH

Please Note: See **Section C** for all applicable Mounting Finish options. Additionally, 980-Brushed Aluminum is available.

(I) If Cord Hung [C] Mounting Style, selection identifies canopy finish.

(II) If Stem Mount [S] Mounting Style, selection identifies stem and canopy finish. Stem not available in Natural Finishes.

(III) If Chain Hung [CN] Mounting Style, selection identifies chain and canopy finish. Chain not available in Natural Finishes.

- 980** Brushed Aluminum⁴

G - MOUNTING ACCESSORY

- NA** Not Applicable
- HSC** Hang Straight Canopy^{1,4}
- HDSMC** Heavy Duty Stem Mount Canopy^{1,4,8}

H - LIGHT SOURCE

- E26** 200 Watt Max
- GU24** 24 Bi-Pin, 23W Max
- LED11** 850 Lumen, 11W LED
- LED16** 1250 Lumen, 16W LED
- LED27** 2000 Lumen, 27W LED
- LED38** 3000 Lumen, 38W LED
- LED43** 4000 Lumen, 43W LED

I - COLOR TEMPERATURE⁷

- NA** Not Applicable
- 2700K** Warm White/Soft White
- 3000K** Neutral White
- 3500K** Bright White
- 4000K** Cool White

J - LED LENS⁷

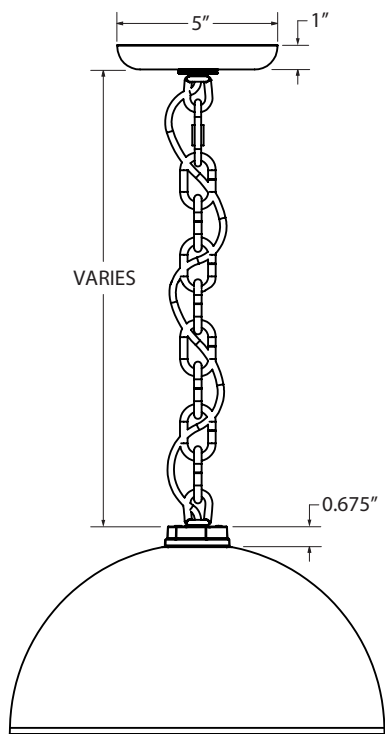
- NA** Not Applicable
- DL** Domed Lens
- FL** Flat Lens

IMPORTANT: (1) Not available in Natural Finishes (2) Natural Finishes have a longer estimated manufacturing time, please check the website for exact lead time (3) Not applicable if Porcelain Enamel finish, 996-Weathered Copper, 998-Weathered Brass or 999-Oil-Rubbed Copper is selected in Section C. If Porcelain Enamel finish selected, interior shade finish will be white. If Weathered Copper, Weathered Brass or Oil-Rubbed Copper selected, interior finish will be the same. Select NA for Section D. (4) Only applicable if Stem Mount is selected in Section E (5) Not available in Porcelain Finishes (6) Shade size only applicable with LED11 and LED16 Light Source (7) Selection only applicable if LED Light Source is selected in Section H, select NA if E26 or GU24 Light Source selected (8) Not available in LED

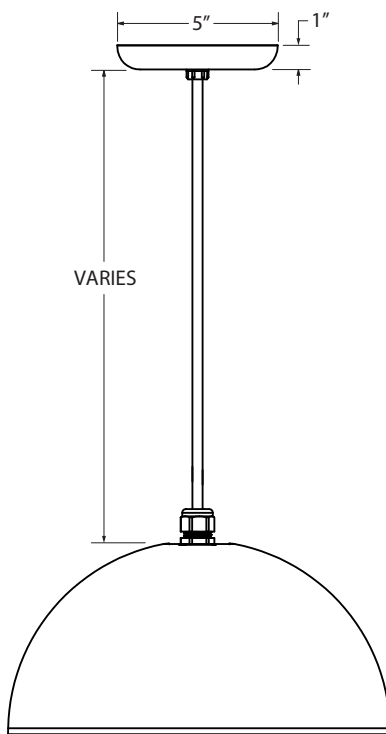
MOUNTING STYLE

Galvanized steel shades are crafted from 20 Ga Sheet metal while 1100-0 Aluminum—ranging from 0.050" to 0.125"—is used for all other shades. *Please Note: Mounting dimensions below are based off of E26 and GU24 Light Source.

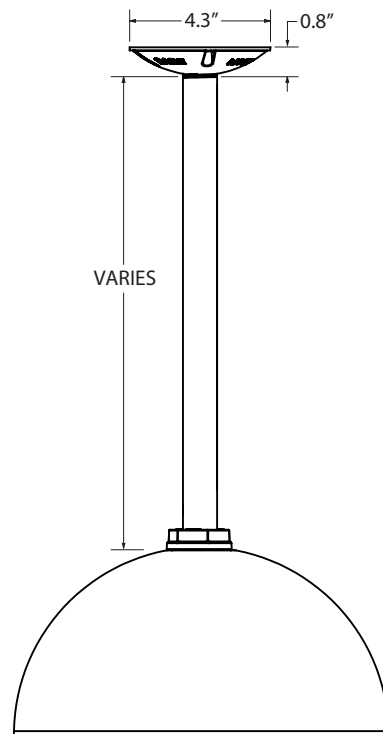
CHAIN HUNG PENDANT (CN)



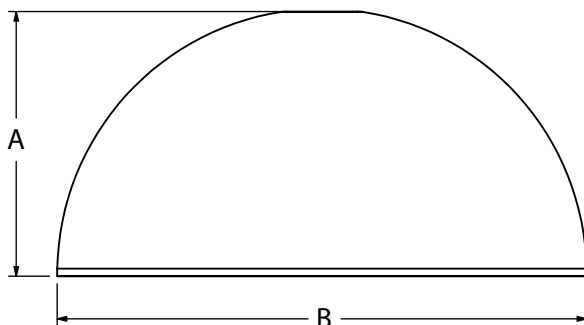
CORD HUNG PENDANT (C)



STEM MOUNT PENDANT (S)



AVAILABLE SHADE SIZES



SHADE CODE	HEIGHT (A)	DIAMETER (B)
DBL12	6"	12"
DBL16	8"	16"
DBL20	10"	20"

LIGHT SOURCE

All published luminaire photometric testing performed to IESNA LM-79-08 standards by a NVLAP accredited laboratory. Data is considered to be representative of the configurations shown, within the tolerances allowed by Lighting Facts. To obtain an IES file specific to your project, please contact the factory.

OPTION	WATTAGE	LUMENS <small>*Avg. value, actual value dependent on bulb used</small>	CRI	VOLTAGE	DIMMING
LEDS					
LED11	11W	850	>90	120 VAC	TRIAC
LED16	16W	1250	>90	120 VAC	TRIAC
LED27	27W	2000	>90	120-277 VAC	0-10V
LED38	38W	3000	>90	120-277 VAC	0-10V
LED43	43W	4000	>90	120-277 VAC	0-10V
INCANDESCENT (MED E26)					
E26	200W Max	*3000	*100	120 VAC	Bulb Dependant
COMPACT FLOURESCENT (GU24 CFL)					
GU24	23W Max	*1600	*75	120 VAC	Bulb Dependant

SPECIFICATIONS

MOUNTING

STEM
1/2" Nominal (0.84" Actual) or 3/4" Nominal (1.05" Actual) Sch 40, 6063 Aluminum Mounting Stem. Custom Lengths Available upon Request.

CORD
Cord-hung Pendants Include 7' Of Standard Cord Or 5' Of Cotton Cord, +/- For Socket Orientation

LED SPECIFICATIONS

LUMEN MAINTENANCE
L90(6K) > 36,300 Hours

COLOR TEMPERATURES
Standard Color Temperatures Available Include 2700K, 3000K, 3500K and 4000K. Custom Temperatures Available upon Request.

CRI
Minimum 90 CRI. Consult Factory for Other CRI Options.

EFFICACY
Up to 100 LPW Based on Wattage/Lumens in the Table

DRIVER & DIMMING OPTION
850 and 1250 Lumen, Reliant on Triac Dimming 12W / 120V Mounted in Canopy, Down to 5% Dimming.
2000, 3000 & 4000 Lumen Reliant on 0-10V Dimmer, Generally Down to 10% Dimming.
Requires Compatible Dimming Switch.

CERTIFICATIONS, LISTINGS & WARRANTY

MADE IN THE USA
Manufactured and Hand-Crafted in Our 60,000 Square Foot Facility Located in Titusville, FL

CSA LISTED FOR WET LOCATIONS
Includes All Stem Mounting Styles

CSA LISTED FOR DAMP LOCATIONS
Includes All Chain and Select Cord Hung Mounting Styles

LIMITED WARRANTY
For Additional Information on Our Limited Warranty, Please See Our Terms & Conditions

SHADE & FINISHES

LOMA SHADE
Hand-Spun from High Purity 0.05" - 0.125" Thick 3003-O Temper Aluminum

LOCKE SHADE
Hand-Spun from 20 Guage Sheet Metal

POWDER COAT FINISHES
Polyester Powder Coat Finishes Are Electro-Statically Applied and Thermocured

PORCELAIN FINISHES
Applied by Hand and Fired in a High Temperature Oven