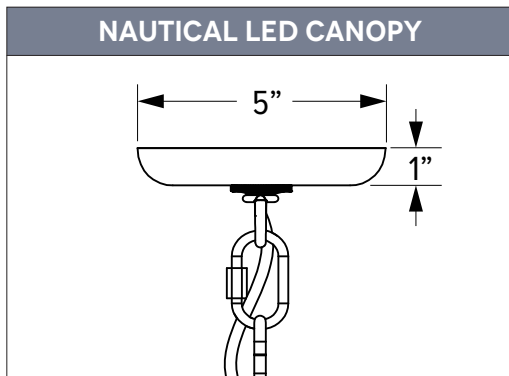
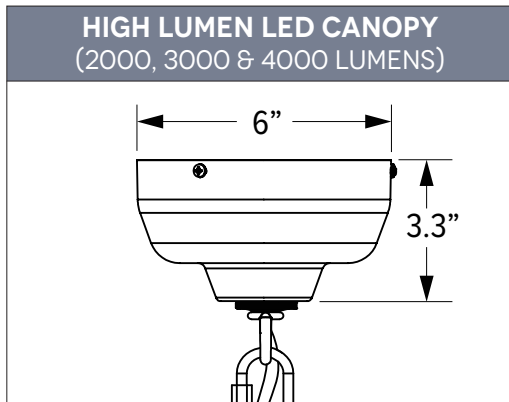
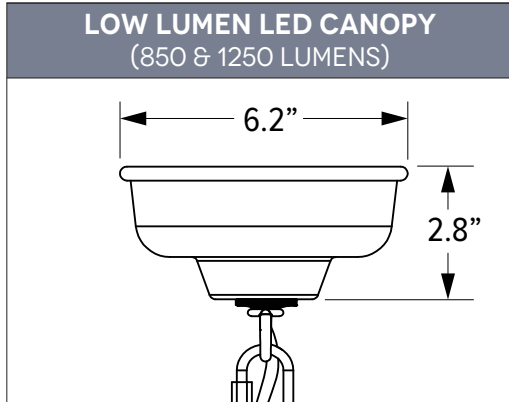




# LED CHAIN HUNG PENDANTS

REV 10.31.18

With their innate rugged appeal, LED chain mount pendants supply homes and businesses with a contemporary yet still timeless style. Designed with performance and reliability in mind, cutting-edge LED technology is integrated directly into each pendant's structure. To create a unique aesthetic, a cord in your choice of style is weaved through a 4-gauge chain, balancing the industrial feel with a touch of color. When it's time to install the pendant, a Quick Link allows simple on-site adjustments to the chain's length.



CHAIN HUNG (CNXX)	
CODE	LENGTH (L)
<b>CN36</b>	36" (3 Feet)
<b>CN48</b>	48" (4 Feet)
<b>CN60</b>	60" (5 Feet)
<b>CN72</b>	72" (6 Feet)

Custom lengths available upon request, contact factory for additional information.

## CSA LISTED CORD OPTIONS

Damp or Dry Locations



**SBK** Standard Black Cord



**CSB** Black Cloth Cord



**CSR** Red Cloth Cord



**CSBW** Black & White Cloth Cord



**CSGW** Gold & White Cloth Cord



**CSBG** Black & Gold Cloth Cord



**SWH** Standard White Cord



**CSW** White Cloth Cord



**CSRW** Red & White Cloth Cord



**CSBB** Black & Pink Cloth Cord



**CSUW** Blue & White Cloth Cord



**CSBB** Black & Brown Chevron Cloth Cord

## NON-CSA LISTED CORD OPTIONS

Dry Locations Only



**CRZ** Red Chevron Cord



**CMG** Grey Cotton Cord



**CBK** Black Cotton Cord