



REV 10.04.18

**THE SKYLARK/SINCLAIR INDUSTRIAL PENDANT**

BARN LIGHT PENDANT FAMILY

Max Weight: 10.0 lbs

PROJECT NAME \_\_\_\_\_

PROJECT TYPE \_\_\_\_\_

**SPS-0373**

**BLE - CU -** \_\_\_\_\_ - \_\_\_\_\_ - \_\_\_\_\_ - \_\_\_\_\_ - \_\_\_\_\_  
A B C D E

Order Example: BLE - CU - SBS16 - 465 - TBK - NK - 465

**A - SHADE SIZE**

*THE SKYLARK/SINCLAIR SHADE:*

- SBS10** 10" Shade
- SBS12** 12" Shade
- SBS14** 14" Shade
- SBS16** 16" Shade

**B - FINISHES**

*POWDER COAT FINISHES<sup>2</sup>:*

- 100** Black
- 105** Textured Black
- 200** White
- 300** Dark Green
- 307** Emerald Green
- 311** Jadite
- 370** Mint
- 380** Chartreuse
- 390** Teal
- 400** Barn Red
- 420** Orange
- 470** Watermelon
- 480** Blush Pink
- 490** Magenta
- 500** Buttery Yellow
- 570** Sunflower
- 600** Bronze
- 601** Chocolate
- 605** Rust
- 615** Oil-Rubbed Bronze
- 700** Royal Blue
- 705** Navy
- 710** Cobalt Blue
- 715** Delphite Blue
- 800** Industrial Grey
- 805** Charcoal Granite
- 810** Graphite
- 975** Galvanized

*PORCELAIN FINISHES<sup>2</sup>:*

- 150** Black
- 250** White
- 350** Vintage Green
- 355** Jadite
- 455** Cherry Red
- 550** Yellow
- 650** Bronze
- 750** Cobalt Blue
- 765** Delphite Blue
- 850** Graphite
- 950** Metallic Chrome

**B - FINISHES (CONTINUED)**

*NATURAL FINISHES<sup>3</sup>:*

- 995** Raw Copper
- 996** Weathered Copper
- 997** Raw Brass
- 998** Weathered Brass
- 999** Oil-Rubbed Copper

*PORCELAIN GRANITeware FINISHES<sup>2</sup>:*

- 160** Black with White
- 165** Black with Jadite and White
- 360** Jadite with Black and White
- 460** Red with Black
- 465** Red with White
- 760** Cobalt Blue with White

**C - CORDS**

*CSA LISTED CORD OPTIONS:*

- SBK** Standard Black
- SWH** Standard White
- CSB** Black Cloth
- CSW** White Cloth
- CSR** Red Cloth
- CSBB** Black & Brown Cloth
- CSRW** Red & White Cloth
- CSGW** Gold & White Cloth
- CSBG** Black & Gold Cloth
- CSBW** Black & White Cloth
- CSBP** Black & Pink Cloth
- CSUW** Blue & White Cloth

*NON-CSA LISTED CORD OPTIONS:*

- CBK** Black Cotton
- CMG** Grey Cotton
- CRZ** Red Chevron
- TBK** Black Cotton Twist
- TWH** White Cotton Twist
- TBR** Brown Cotton Twist
- TRD** Red Cotton Twist
- TPT** Putty Cotton Twist
- TBW** Black & White Twist
- TRW** Red & White Twist
- TBB** Brown & Beige Twist

**D - SOCKET FINISH & SWITCH**

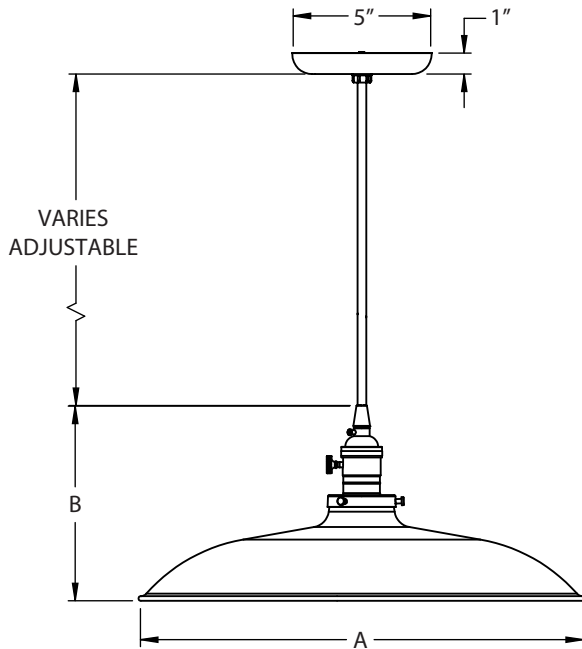
- NK** Nickel Socket with Knob Switch
- NP** Nickel Socket with Black Paddle Switch
- NS** Nickel Socket with No Switch
- BK** Brass Socket with Knob Switch
- BP** Brass Socket with Black Paddle Switch
- BS** Brass Socket with No Switch
- UK** Black Socket with Knob Switch
- UP** Black Socket with Black Paddle Switch
- US** Black Socket with No Switch

**E - CEILING CANOPY FINISH**

*Please Note: See **Section B** for all applicable canopy finish options. If Porcelain Finish is selected, canopy will be powder coat painted-to-match.*

**IMPORTANT:** (1) All Powder Coat finished shades, excluding 975-Galvanized, feature a white interior (2) All Porcelain Enamel finished shades feature a white interior and a black outer rim (3) Natural Finishes have a longer estimated manufacturing time, please check the website for exact lead time. There are no returns accepted on Natural Finishes

**DIMENSIONAL DRAWING**



SHADE CODE	DIAMETER (A)	HEIGHT (B)
SBS10	10"	6.5"
SBS12	12"	6.5"
SBS14	14"	6.7"
SBS16	16"	7"

**SOCKET FINISH & SWITCH**



**NK** NICKEL SOCKET & KNOB SWITCH



**BK** BRASS SOCKET & KNOB SWITCH



**UK** BLACK SOCKET & KNOB SWITCH



**NP** NICKEL SOCKET & BLACK PADDLE SWITCH



**BP** BRASS SOCKET & BLACK PADDLE SWITCH



**UP** BLACK SOCKET & BLACK PADDLE SWITCH

**KNOB SWITCH OPTIONS**

**BLACK PADDLE SWITCH OPTIONS**



**NS** NICKEL SOCKET & NO SWITCH



**BS** BRASS SOCKET & NO SWITCH



**US** BLACK SOCKET & NO SWITCH

**NO SWITCH OPTIONS**

**LIGHT SOURCE**

All published luminaire photometric testing performed to IESNA LM-79-08 standards by a NVLAP accredited laboratory. Data is considered to be representative of the configurations shown, within the tolerances allowed by Lighting Facts. To obtain an IES file specific to your project, please contact the factory.

OPTION	WATTAGE	LUMENS	CRI	VOLTAGE	DIMMING
*Avg. value, actual value dependent on bulb used					
<b>INCANDESCENT (MED E26)</b>					
<b>E26</b>	60W Max	1400*	100	120 VAC	Bulb Dependant

**SPECIFICATIONS**

**MOUNTING**

**LIGHT SOURCE**

CANOPY  
5" Hand-Spun, High Purity 0.050" Thick 3003-O Temper Aluminum Canopy

SOCKET  
E26 Medium Base Socket, 60W Max

**SHADE & FINISHES**

**CERTIFICATIONS, LISTINGS & WARRANTY**

THE SKYLARK SHADE  
Hand-Spun, High Purity 0.050" Thick 3003-O Temper Aluminum Shade

MADE IN THE USA  
Manufactured and Hand-Crafted in Titusville, FL.

POWDER COAT FINISHES  
Polyester Powdercoat Electro-Statically Applied and Thermocured

CSA LISTED FOR DAMP OR DRY LOCATIONS  
CSA Listing Dependent on Cord Selection, Please Refer to Website for Additional Information

THE SINCLAIR PORCELAIN SHADE  
Hand-Spun from 20 Gauge Sheet Metal

LIMITED WARRANTY  
For Additional Information on our Limited Warranty, Please See our Terms & Conditions

PORCELAIN FINISHES  
Applied by Hand and Fired in a High Temperature Oven