



REV 10.16.18

THE SKYLARK/SINCLAIR INDUSTRIAL PENDANT

BARN LIGHT PENDANT FAMILY

Max Weight: 10.0 lbs

PROJECT NAME _____

PROJECT TYPE _____

SPS-0373

BLE - CU - _____ - _____ - _____ - _____ - _____
A B C D E

Order Example: BLE - CU - SBS16 - 465 - TBK - NK - 465

A - SHADE SIZE

THE SKYLARK/SINCLAIR SHADE:

- SBS10** 10" Shade
- SBS12** 12" Shade
- SBS14** 14" Shade
- SBS16** 16" Shade

B - FINISHES

POWDER COAT FINISHES¹:

- 100** Black
- 105** Textured Black
- 200** White
- 300** Dark Green
- 307** Emerald Green
- 311** Jadite
- 370** Mint
- 380** Chartreuse
- 390** Teal
- 400** Barn Red
- 420** Orange
- 470** Watermelon
- 480** Blush Pink
- 490** Magenta
- 500** Buttery Yellow
- 570** Sunflower
- 600** Bronze
- 601** Chocolate
- 605** Rust
- 615** Oil-Rubbed Bronze
- 700** Royal Blue
- 705** Navy
- 710** Cobalt Blue
- 715** Delphite Blue
- 800** Industrial Grey
- 805** Charcoal Granite
- 810** Graphite
- 975** Galvanized

PORCELAIN FINISHES²:

- 150** Black
- 250** White
- 350** Vintage Green
- 355** Jadite
- 455** Cherry Red
- 550** Yellow
- 650** Bronze
- 750** Cobalt Blue
- 765** Delphite Blue
- 850** Graphite
- 950** Metallic Chrome

B - FINISHES (CONTINUED)

NATURAL FINISHES³:

- 995** Raw Copper
- 996** Weathered Copper
- 997** Raw Brass
- 998** Weathered Brass
- 999** Oil-Rubbed Copper

PORCELAIN GRANITEWARE FINISHES²:

- 160** Black with White
- 165** Black with Jadite and White
- 360** Jadite with Black and White
- 460** Red with Black
- 465** Red with White
- 760** Cobalt Blue with White

C - CORDS

CSA LISTED CORD OPTIONS:

- SBK** Standard Black
- SWH** Standard White
- CSB** Black Cloth
- CSW** White Cloth
- CSR** Red Cloth
- CSBB** Black & Brown Cloth
- CSRW** Red & White Cloth
- CSGW** Gold & White Cloth
- CSBG** Black & Gold Cloth
- CSBW** Black & White Cloth
- CSBP** Black & Pink Cloth
- CSUW** Blue & White Cloth

NON-CSA LISTED CORD OPTIONS:

- CBK** Black Cotton
- CMG** Grey Cotton
- CRZ** Red Chevron
- TBK** Black Cotton Twist
- TWH** White Cotton Twist
- TBR** Brown Cotton Twist
- TRD** Red Cotton Twist
- TPT** Putty Cotton Twist
- TBW** Black & White Twist
- TRW** Red & White Twist
- TBB** Brown & Beige Twist

D - SOCKET FINISH & SWITCH

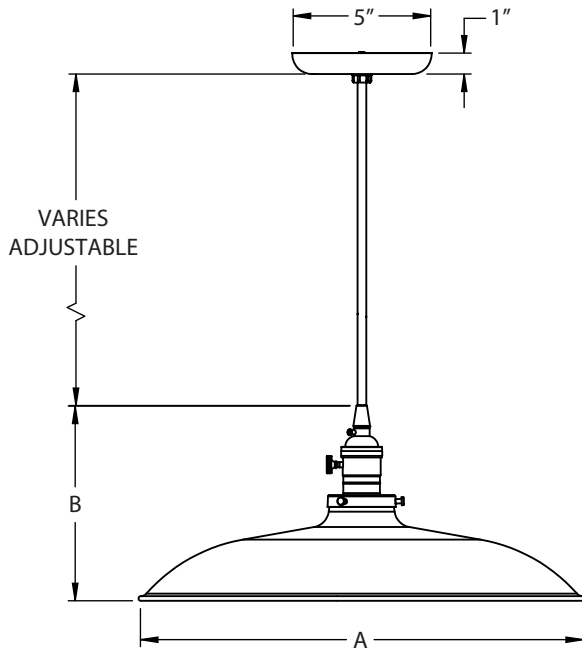
- NK** Nickel Socket with Knob Switch
- NP** Nickel Socket with Black Paddle Switch
- NS** Nickel Socket with No Switch
- BK** Brass Socket with Knob Switch
- BP** Brass Socket with Black Paddle Switch
- BS** Brass Socket with No Switch
- UK** Black Socket with Knob Switch
- UP** Black Socket with Black Paddle Switch
- US** Black Socket with No Switch

E - CEILING CANOPY FINISH

Please Note: See **Section B** for all applicable canopy finish options. If Porcelain Finish is selected, canopy will be powder coat painted-to-match.

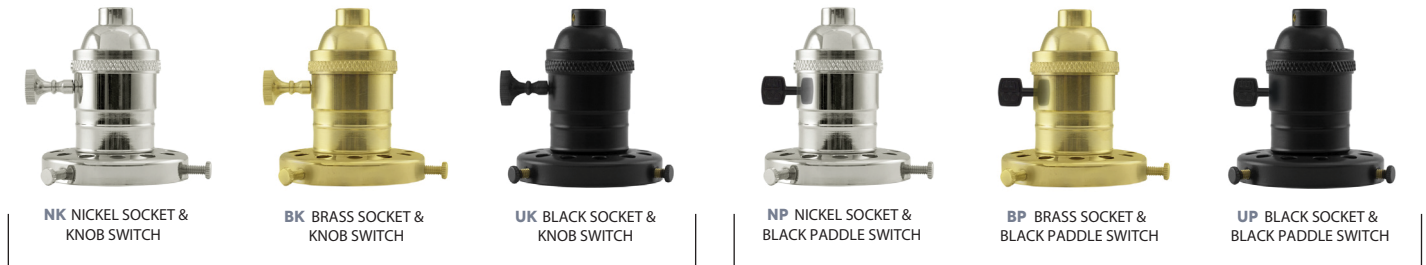
IMPORTANT: (1) All Powder Coat finished shades, excluding 975-Galvanized, feature a white interior (2) All Porcelain Enamel finished shades feature a white interior and a black outer rim (3) Natural Finishes have a longer estimated manufacturing time, please check the website for exact lead time. There are no returns accepted on Natural Finishes

DIMENSIONAL DRAWING



SHADE CODE	DIAMETER (A)	HEIGHT (B)
SBS10	10"	6.5"
SBS12	12"	6.5"
SBS14	14"	6.7"
SBS16	16"	7"

SOCKET FINISH & SWITCH



KNOB SWITCH OPTIONS

BLACK PADDLE SWITCH OPTIONS



NO SWITCH OPTIONS

LIGHT SOURCE

All published luminaire photometric testing performed to IESNA LM-79-08 standards by a NVLAP accredited laboratory. Data is considered to be representative of the configurations shown, within the tolerances allowed by Lighting Facts. To obtain an IES file specific to your project, please contact the factory.

OPTION	WATTAGE	LUMENS	CRI	VOLTAGE	DIMMING
*Avg. value, actual value dependent on bulb used					
INCANDESCENT (MED E26)					
E26	60W Max	1400*	100	120 VAC	Bulb Dependant

SPECIFICATIONS

MOUNTING

LIGHT SOURCE

CANOPY
5" Hand-Spun, High Purity 0.050" Thick 3003-O Temper Aluminum Canopy

SOCKET
E26 Medium Base Socket, 60W Max

CORD
Cord-hung Pendants Include 7' Of Standard Cord Or 5' Of Cotton Cord, +/- For Socket Orientation

CERTIFICATIONS, LISTINGS & WARRANTY

MADE IN THE USA
Manufactured and Hand-Crafted in Titusville, FL.

SHADE & FINISHES

CSA LISTED FOR DAMP OR DRY LOCATIONS
CSA Listing Dependent on Cord Selection, Please Refer to Website for Additional Information

THE SKYLARK SHADE
Hand-Spun, High Purity 0.050" Thick 3003-O Temper Aluminum Shade

LIMITED WARRANTY
For Additional Information on our Limited Warranty, Please See our Terms & Conditions

POWDER COAT FINISHES
Polyester Powdercoat Electro-Statically Applied and Thermocured

THE SINCLAIR PORCELAIN SHADE
Hand-Spun from 20 Guage Sheet Metal

PORCELAIN FINISHES
Applied by Hand and Fired in a High Temperature Oven