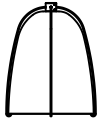




SPS-0439 REV A

**SPOKE ARM EGG PENDANT**

JOB NAME: \_\_\_\_\_ FIXTURE TYPE: \_\_\_\_\_

BLE - S - DBEA10 - \_\_\_\_\_ - \_\_\_\_\_ - \_\_\_\_\_ - \_\_\_\_\_ - \_\_\_\_\_  
A B C D E

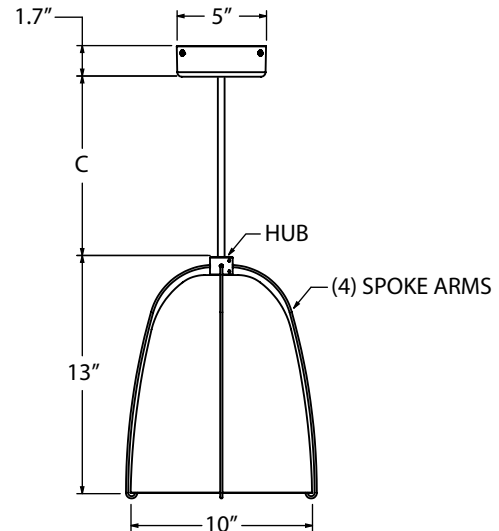
Order Example: BLE - S - DBEA10 - 420 - 200 - ST24 - 420 - 200

**A - EXTERIOR SHADE FINISH****POWDER COAT FINISHES:**

100	Black
105	Textured Black
200	White
300	Dark Green
307	Emerald Green
311	Jadite
370	Mint
380	Chartreuse
390	Teal
400	Barn Red
420	Orange
470	Watermelon
480	Blush Pink
490	Magenta
495	Sherbet Orange
500	Buttery Yellow
570	Sunflower
600	Bronze
601	Chocolate
605	Rust
615	Oil-Rubbed Bronze
700	Royal Blue
705	Navy
710	Cobalt Blue
715	Delphite Blue
790	Lavender
800	Industrial Grey
805	Charcoal Granite
810	Graphite
930	Painted Aged Brass
940	Painted Aged Copper
975	Galvanized

**B - INTERIOR SHADE FINISH***Please Note: See Section A for all applicable Interior Shade Finish Options***C - MOUNTING****STEM MOUNT OPTIONS:**

ST06	6" Stem
ST12	12" Stem
ST18	18" Stem
ST24	24" Stem
ST36	36" Stem

**D - MOUNTING FINISH***Please Note: See Section A for all applicable Mounting Finish Options. Selection identifies stem and canopy finish***E - SPOKE ARM FINISH***Please Note: See Section A for all applicable Spoke Arm Finish Options. 930-Painted Aged Brass and 940-Painted Aged Copper not applicable. Hub will match Spoke Arm Finish selected.***DIMENSIONAL DRAWING**

STEM SELECTION	STEM LENGTH (C)
ST06 (6" Stem)	4.4"
ST12 (12" Stem)	10.4"
ST18 (18" Stem)	16.4"
ST24 (24" Stem)	22.4"
ST36 (36" Stem)	34.4"

**IMPORTANT:****SPECIFICATIONS****MOUNTING**

STEM  
1/8" Nominal (0.38" Actual OD) Aluminum Mounting Stem. Custom Stem Lengths Available upon Request.

**LIGHT SOURCE**

INCANDESCENT  
Medium Base E26 Socket, 200W Max, 120 VAC

**CONSTRUCTION & FINISH**

POWDER COAT FINISHES  
Polyester Powder Coat Finishes Are Electro-Statically Applied and Thermocured

SHADE & CANOPY  
Hand-Spun, High Purity 0.050" Thick 3003-O Temper Aluminum

SPOKE ARMS  
(4) 1/8" Aluminum Spoke Arms

MAX FIXTURE WEIGHT  
10 lbs

**CERTIFICATIONS, LISTINGS & WARRANTY**

MADE IN THE USA  
Manufactured and Hand-Crafted in Our 60,000 Square Foot Facility Located in Titusville, Florida

CSA LISTED FOR DAMP LOCATIONS

LIMITED WARRANTY  
For Additional Information on Our Limited Warranty, Please See Our Terms & Conditions

UL CERTIFICATION  
UL Listed Fixtures Available upon Request. Please Consult Factory for Additional Information.