



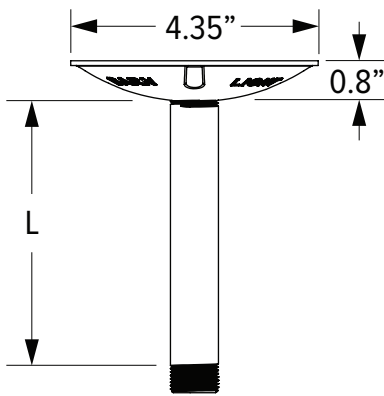
# STEM & FLUSH MOUNT PENDANTS

MKT-0014, REV B

With their inherent durability and slightly more formal aesthetic, stem mountings allow installation in nearly every location — indoor and out. The sturdy metal stem protects the fixture’s wiring and electrical components from the conditions they face in exterior settings and high-volume businesses. In spaces with vaulted ceilings, a hang straight canopy helps stem mount lighting hang at its natural angle, up to 25 degrees. Custom stem lengths are available upon request, please contact factory for additional information.

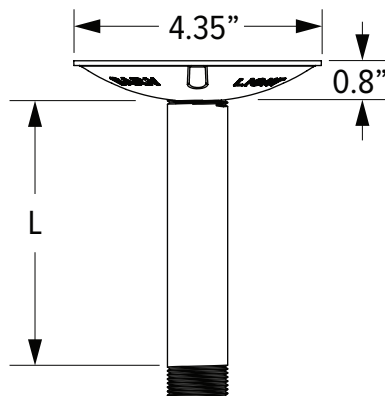
For smaller areas, our flush mount option offers the same benefits as stem mount lighting but with a space-saving, ceiling-hugging design!

1/2" STEM MOUNT (ST5XX)



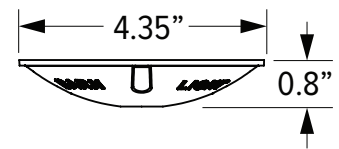
1/2 - 14 NPT

3/4" STEM MOUNT (ST7XX)



3/4 - 14 NPT

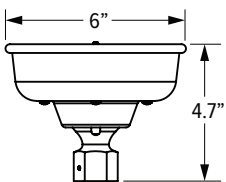
FLUSH MOUNT (FM)



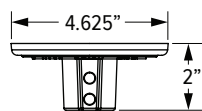
CODE	LENGTH (L)
ST506	6"
ST512	12"
ST518	18"
ST524	24"
ST536	36"
ST542	42"
ST548	48"

CODE	LENGTH (L)
ST706	6"
ST712	12"
ST718	18"
ST724	24"
ST736	36"
ST742	42"
ST748	48"

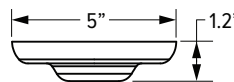
## ALTERNATE STEM MOUNT CANOPY OPTIONS



HANG STRAIGHT CANOPY (HSC)



HEAVY DUTY CANOPY (HDSMC)



MINIMALIST STEM MOUNT CANOPY