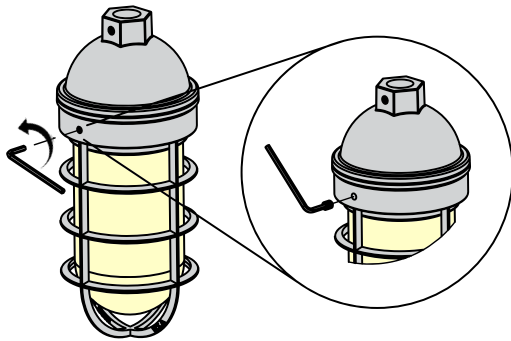




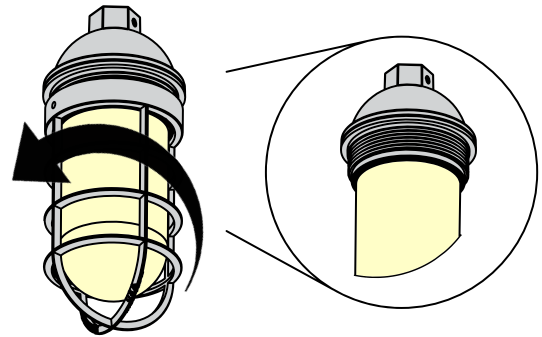
# HOW TO REPLACE THE LIGHT BULB IN A GUARD & GLASS FIXTURE

It's easy to change the bulb in your Barn Light Electric cast guard fixture! Easy-to-follow instructions appear below or [click here](#) to watch a how-to video. LED replacement bulbs are not recommended in enclosed glass fixtures. The maximum wattage for a replacement bulb should not exceed 100 watts.

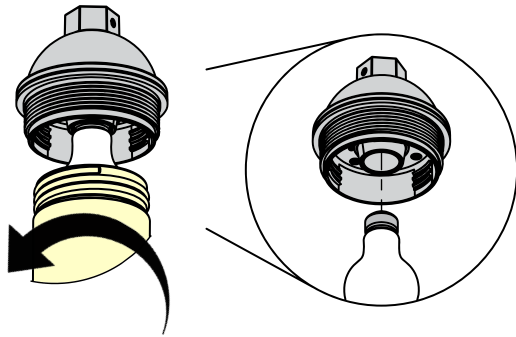
- 1** Using an allen wrench, loosen the set screw by turning the allen wrench counter-clockwise.



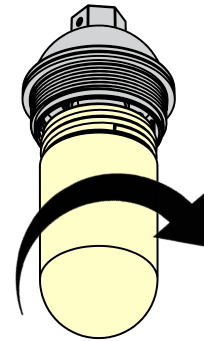
- 2** Unscrew the guard by carefully twisting it counter-clockwise.



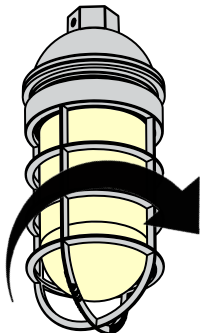
- 3** Unscrew the glass jelly jar by carefully twisting it counter-clockwise then replace light bulb.



- 4** Rescrew the glass jelly jar back onto the fixture by carefully twisting it clockwise.



- 5** Rescrew the guard back onto the fixture by carefully twisting it clockwise.



- 6** Using an allen wrench, retighten the set screw by turning the allen wrench clockwise.

