

POWDER COAT FINISHES

To ensure every space receives its ideal look, Quick Ship Lights are available with some of our most popular finish options. 200-White and 100-Black coordinate with nearly every design sensibility, while 300-Dark Green offers a classic touch of color. For an industrial-inspired style, 975-Galvanized gives the fixture an authentic rugged character.

With the exception of 975-Galvanized, Quick Ship Shades feature a white interior. All powder coat finishes are applied entirely by hand in our Florida-based manufacturing facility, indicative of our commitment to quality.



100 BLACK



200 WHITE



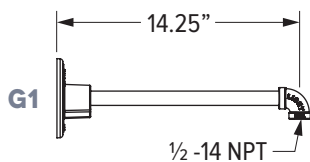
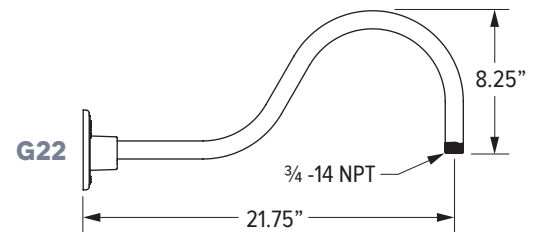
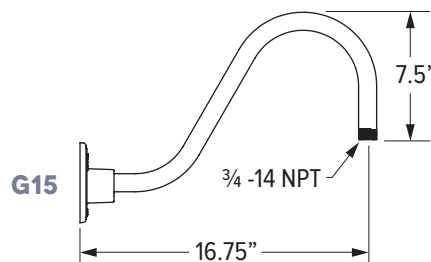
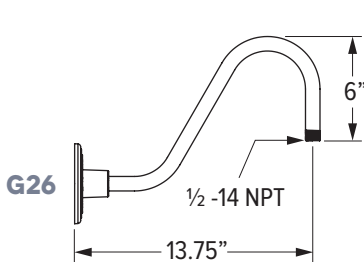
300 DARK GREEN



975 GALVANIZED

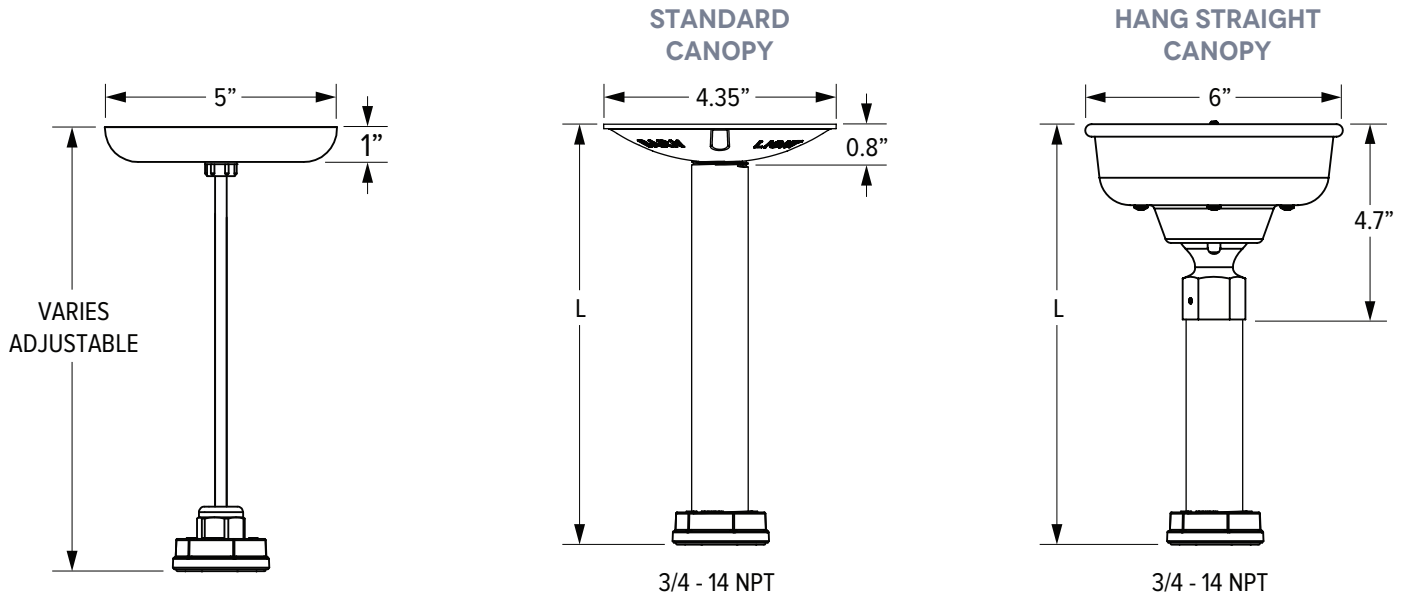
MOUNTING OPTIONS: GOOSENECK LIGHTS

With iconic barn style, these gooseneck arms position the shade away from the mounting surface and protect the wiring in exterior and high-traffic installations.



MOUNTING OPTIONS: CORD HUNG & STEM MOUNT PENDANTS

Two cord options — white or black, both CSA-rated for damp locations — give Quick Ship Pendants a timeless aesthetic. A durable stem mounting shields the fixtures from the weather, allowing installation in wet, outdoor locations. For areas with pitched or sloped ceilings, a hang straight canopy suspends the shade at its natural angle.



SBK STANDARD BLACK CORD

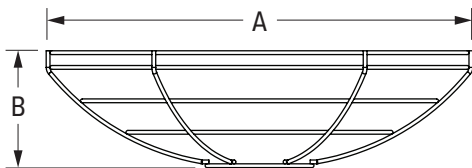


SWH STANDARD WHITE CORD

STEM LENGTH	TOTAL LENGTH (L)	
	STANDARD CANOPY	HANG STRAIGHT CANOPY
6" STEM	7.47"	11.37"
12" STEM	13.47"	17.37"
18" STEM	19.47"	23.37"
24" STEM	25.47"	29.37"

OPTIONAL WIRE CAGE

Fitted to the shade, a stylish yet functional wire cage gives the fixture an authentic industrial charm. The wire cage is finished with the same color as the shade.



DIAMETER (A)	HEIGHT (B)
10"	2.9"
12"	3.4"
13"	3.7"
16"	4.4"
17"	4.7"