



REV 07.25.18

# THE PLAYOFF/SCRIMMAGE 2-LIGHT

## LED PENDANT

BARN LIGHT LINEUP COLLECTION  
Max Weight: 26.0 lbs

PROJECT NAME \_\_\_\_\_

PROJECT TYPE \_\_\_\_\_

SPS-0122

BLE - S - ST2 -	-	-	-	-	-	-	-	-	-
	<b>A</b>	<b>B</b>	<b>C</b>	<b>D</b>	<b>E</b>	<b>F</b>			
	<b>G</b>	<b>H</b>	<b>I</b>	<b>J</b>	<b>K</b>	<b>L</b>	<b>M</b>		

Order Example: BLE - S - ST2 - SIL18 - 105 - 975 - ST718 - 12 - 975 - FST - TGG - 975 - NA - LED42 - 3000K - 277

### A - SHADE SIZE

- SIL12** 12" Diameter
- SIL14** 14" Diameter
- SIL16** 16" Diameter
- SIL18** 18" Diameter
- SIL20** 20" Diameter

### B - FINISHES

#### PORCELAIN FINISHES:

- 150** Black
- 250** White
- 350** Vintage Green
- 355** Jadite
- 455** Cherry Red
- 550** Yellow
- 650** Bronze
- 750** Cobalt Blue
- 765** Delphite Blue
- 850** Graphite
- 950** Metallic Chrome

#### POWDER COAT FINISHES:

- 100** Black
- 105** Textured Black
- 200** White
- 300** Dark Green
- 307** Emerald Green
- 370** Mint
- 380** Chartreuse
- 390** Teal
- 400** Barn Red
- 420** Orange
- 470** Watermelon
- 480** Blush Pink
- 490** Magenta
- 500** Buttery Yellow
- 570** Sunflower
- 600** Bronze
- 601** Chocolate
- 605** Rust
- 615** Oil-Rubbed Bronze
- 700** Royal Blue
- 705** Navy
- 800** Industrial Grey
- 805** Charcoal Granite
- 975** Galvanized
- 980** Brushed Aluminum

### B - FINISHES (CONTINUED)

#### NATURAL FINISHES:

- 995** Raw Copper
- 996** Weathered Copper
- 997** Raw Brass
- 998** Weathered Brass
- 999** Oil-Rubbed Copper

### C - HEAT SINK FINISH<sup>3</sup>

Please Note: See **Section B** for all Finish Options, Natural Finishes not applicable for heat sink. If porcelain finish is selected, heat sink will be powder coat painted-to-match

### D - STEM LENGTH

- ST706** .75" Stem Mount, 6"
- ST712** .75" Stem Mount, 12"
- ST718** .75" Stem Mount, 18"
- ST724** .75" Stem Mount, 24"
- ST736** .75" Stem Mount, 36"
- ST748** .75" Stem Mount, 48"

### E - ARM LENGTH

- 12** 2 - 12" Mounting Arms
- 18** 2 - 18" Mounting Arms

### F - MOUNTING FINISH<sup>3</sup>

Please Note: See **Section B** for all Finish Options, Natural Finishes not applicable for mounting. If porcelain finish is selected, mounting will be powder coat painted-to-match

### G - GLASS

- CLR** Clear Glass
- FST** Frosted Glass
- RIB** Ribbed Glass
- CCR** Clear Crackle Glass<sup>1</sup>
- SMK** Smoke Crackle Glass<sup>1</sup>
- HCR** Honey Crackle Glass<sup>1</sup>

### H - OPTIONAL GUARD/ WIRE CAGE

- NA** Not Applicable/None
- CGG** Standard Cast Guard
- WGG** Wire Guard
- TGG** Heavy Duty Cast Guard
- WC** Wire Cage

### I - GUARD/CAGE FINISH<sup>2</sup>

Please Note: See **Section B** for all Finish Options, Natural Finishes not applicable for guard. If porcelain finish is selected, guard will be powder coat painted-to-match

### J - OPTIONAL SUPPORT CABLE

- NA** None, No Support Cable
- CBL** Support Cable

### K - LIGHT SOURCE

- LED42** 42W LED per head (84W LED total)
- LED48** 48W LED per head (96W LED total)
- LED57** 57W LED per head (114W LED total)
- LED62** 62W LED per head (124W LED total)
- LED70** 70W LED per head (140W LED total)

Please reference table on **Page 3** for lumen values of all light source options

### L - COLOR TEMPERATURE

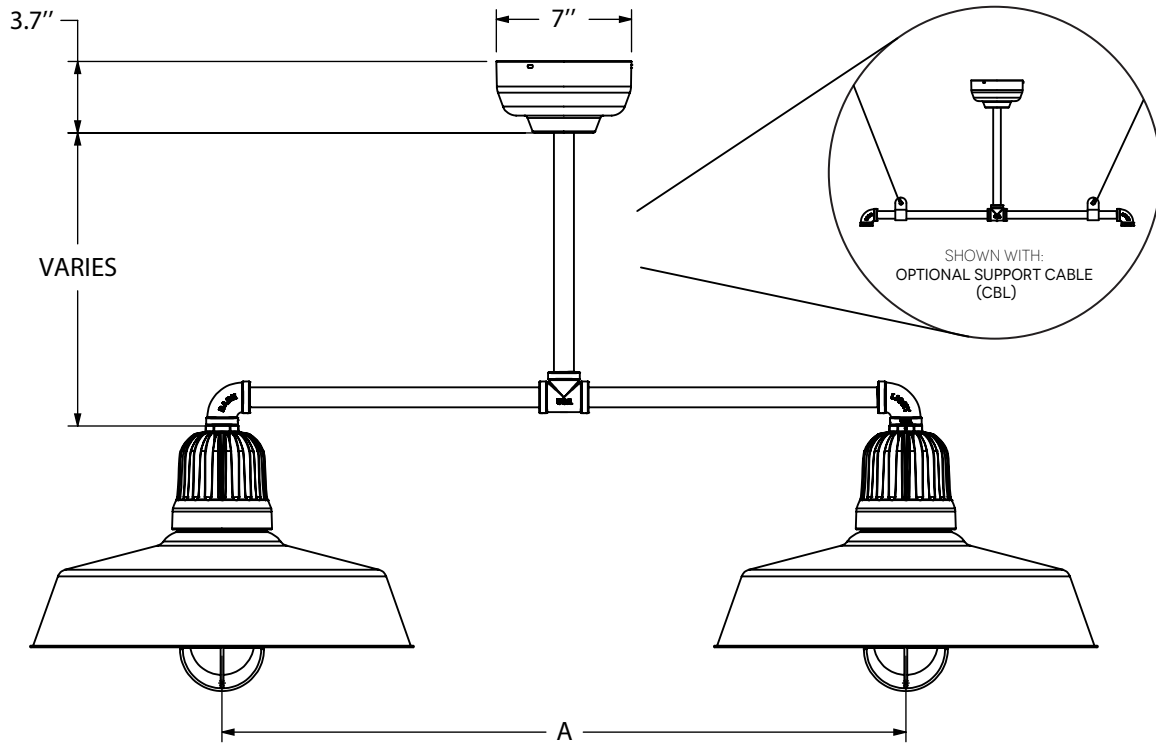
- 2700K** 2700K, Warm White
- 3000K** 3000K, Neutral White
- 3500K** 3500K, Bright White
- 4000K** 4000K, Cool White
- 5000K** 5000K, Daylight

### M - INPUT VOLTAGE/DIMMING

- 120** 120 VAC / TRIAC and ELV Dimming<sup>3</sup>
- 277** 120-277 VAC / 0-10 V Dimming

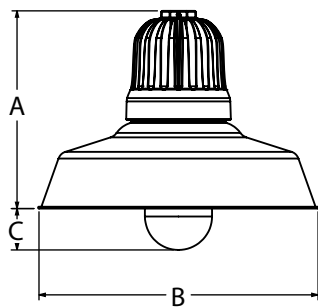
**IMPORTANT:** (1) Glass styles will change CCT, please consult factory for additional details (2) Not available in Natural Finishes (3) Not applicable if LED62 or LED70 Light Source selected in Section K

**MOUNTING STYLE**

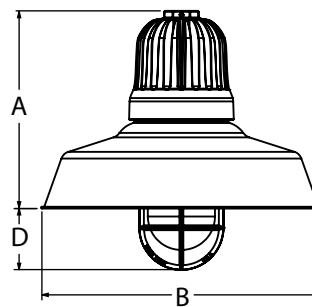


ARM LENGTH SELECTION	TOTAL LENGTH (A)
12 (2 - 12" Mounting Arms)	27"
18 (2 - 18" Mounting Arms)	39"

**AVAILABLE SHADE SIZES**



SHOWN WITH: GLASS ONLY  
(CLR, FST, RIB, CCR, SMK OR HCR)



SHOWN WITH: OPTIONAL GUARD  
(WGG, CGG OR TGG) & GLASS

SHADE CODE	HEIGHT (A)	DIAMETER (B)	LENGTH BELOW SHADE	
			(C)	(D)
SIL12	9.1"	12"	3"	3.7"
SIL14	9.8"	14"	2"	3"
SIL16	10.4"	16"	1"	2.4"
SIL18	11.1"	18"	0.7"	1.7"
SIL20	11.4"	20"	1.5"	2.3"

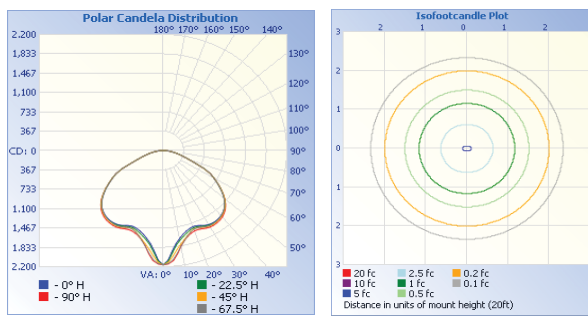
**LIGHT SOURCE**

All published luminaire photometric testing performed to IESNA LM-79-08 standards by a NVLAP accredited laboratory. Data is considered to be representative of the configurations shown, within the tolerances allowed by Lighting Facts. To obtain an IES file specific to your project, please contact the factory. Please Note: Lumen values and fixture wattage listed below are representative of per head totals, multiply by two for value of entire fixture.

LED	Drive Current	System Watts	Cage Guard	2700K		3000K		3500K		4000K		5000K	
				CRI	90CRI	90CRI	90CRI	90CRI	90CRI	90CRI			
				Lumens	LPW	Lumens	LPW	Lumens	LPW	Lumens	LPW		
LED42	1.0A	42	NA	3133	75	3369	80	3604	86	3794	90	3794	90
			WGG-200	2903	69	3121	74	3339	80	3515	84	3515	84
			CGG-200	2707	64	2910	69	3113	74	3277	78	3277	78
LED48	1.2A	48	NA	3510	73	3773	79	4037	84	4250	89	4250	89
			WGG-200	3252	68	3496	73	3740	78	3937	82	3937	82
			CGG-200	3032	63	3260	68	3487	73	3671	76	3671	76
LED57	1.4A	57	NA	4043	71	4346	76	4650	82	4895	86	4895	86
			WGG-200	3713	65	3992	70	4271	75	4495	79	4495	79
			CGG-200	3487	61	3748	66	4010	70	4221	74	4221	74
LED62	1.6A	62	NA	4513	73	4851	78	5190	84	5464	88	5464	88
			WGG-200	4181	67	4495	73	4809	78	5062	82	5062	82
			CGG-200	3898	63	4191	68	4483	72	4719	76	4719	76
LED70	1.75A	70	NA	4655	67	5005	72	5354	76	5636	81	5636	81
			WGG-200	4313	62	4637	66	4960	71	5221	75	5221	75
			CGG-200	4021	57	4323	62	4625	66	4868	70	4868	70

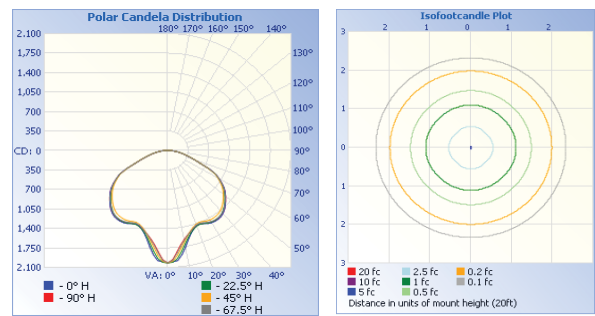
**LIGHT DISTRIBUTION**

**NO GUARD (NA)**



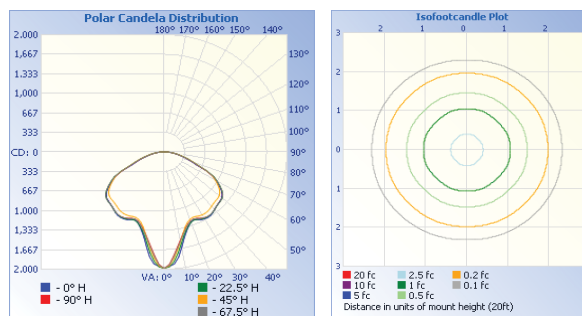
SHOWN ABOVE: THE PLAYOFF/SCRIMMAGE 20" SHADE LED70, 3000K

**WIRE GUARD (WGG)**



SHOWN ABOVE: THE PLAYOFF/SCRIMMAGE 20" SHADE LED70, 3000K

**STANDARD CAST GUARD (CGG)**



SHOWN ABOVE: THE PLAYOFF/SCRIMMAGE 20" SHADE LED70, 3000K

**SPECIFICATIONS**

**CERTIFICATIONS**

CSA LISTED (US AND CANADA)  
 SUITABLE FOR INDOOR OR OUTDOOR USE  
 SUITABLE FOR WET LOCATIONS  
 MADE IN THE USA  
**Manufactured and hand-crafted in our 60,000 square foot facility located in Titusville, Florida**

**CONSTRUCTION/FINISH**

COPPER-FREE ALUMINUM HOUSING  
**Machined from Solid Billet (Type 6061-T6)**  
 HIGH TEMPERATURE, NEOPRENE O-RINGS  
**Provide water-tight seal**  
 STAINLESS STEEL HARDWARE  
 HEAT TREATED ALUMINUM DIE CAST LED HEAT SINK  
**Complete with Clear Chromate Conversion prior to Powder Coat**

**ELECTRICAL/LED DRIVER**

POWER FACTOR > 0.9  
 EFFICIENCY: UP TO 90% TYPICAL  
 INPUT VOLTAGE: 120-277 VAC (SEE DIMMING SECTION)  
 CLASS 2 POWER SUPPLY  
 LED DRIVER LIFETIME: > 100,000 HOURS (@ 25 DEG C AMBIENT)  
 IP64 MINIMUM RATING CASE WITH SILICONE-BASED POTTING PROTECTIONS  
**Output Open Load, Over-Current and Short-Circuit (hiccup), and Over-Temperature with Auto Recovery**  
 CONDUCTED AND RADIATED EMI  
**Compliant with FCC CFR Title 47 Part 15 Class B (120 Vac), Class A (277 Vac) and EN55015 (CISPR 15) at 220, 230 and 240 Vac**  
 COMPLIANT WITH  
**Complies with Energy Star® DLR (DesignLight Consortium®) and CA Title 24 Technical Requirements**

**OPTICS**

PHOTOMETRIC FILES  
**Available upon request**  
 OPTIONAL CAGE GUARD  
**Vandal Resistant Cast Aluminum Cage Guard, Cage Thickness 0.23"**

**LIGHT SOURCE**

5600 INITIAL LUMENS DELIVERED WITH FROSTED GLASS  
**Higher lumen values achievable with clear and ribbed glass**  
 L90(11K) > 61,000 HOURS  
 INTEGRATED LED COB  
 AVAILABLE CCT: 2700K, 3000K, 3500K, 4000K & 5000K  
 90+ CRI (R9 TYPICAL 60)  
**80+ CRI and 95+ CRI (R9 Typical 85) available upon request**  
 3 STEP MACADAMS ELLIPSE  
 EFFICACY: UP TO 90 LPW WITH FROSTED GLASS  
**Higher lumen values achievable with clear and ribbed glass**

**DIMMING**

TRI-MODE DIMMING™  
**Compatible with TRIAC (forward-phase or leading-edge), ELV (reverse-phase or trailing-edge) and 0-10 V Dimmers**  
 DIMMING RANGE 1-100%  
**The dimming range is dependent on each specific dimmer. May not be able to achieve 1% dimming with some dimmers**  
 TRIAC AND ELV DIMMING ONLY AT 120 VAC  
 ELV DIMMING AT 230 VAC  
**Available by request for LED42, LED48 and LED57**  
 COMPATIBLE DIMMERS  
**Consult factory for additional information on dimming**

**WARRANTY INFORMATION**

LIMITED WARRANTY  
**For additional information on our limited warranty, please see our Terms & Conditions.**