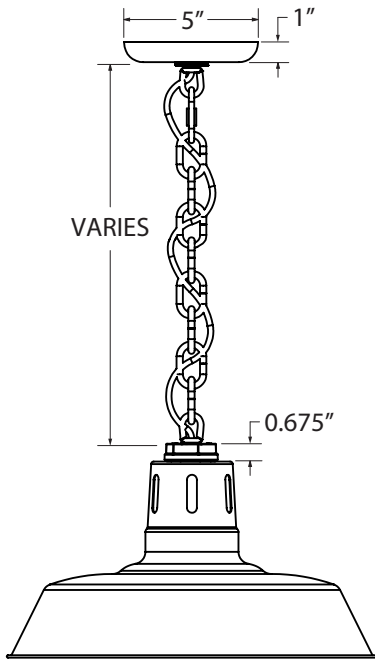


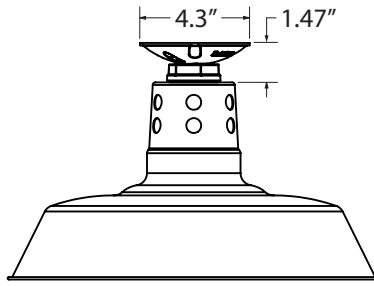


**MOUNTING STYLE**

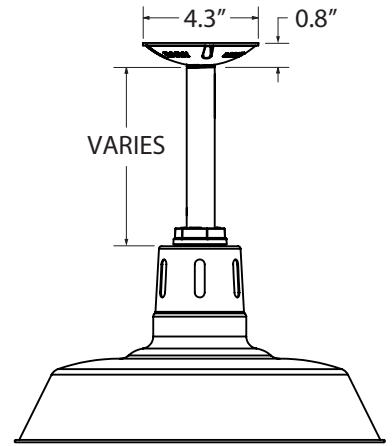
**CHAIN HUNG PENDANT (CN)**



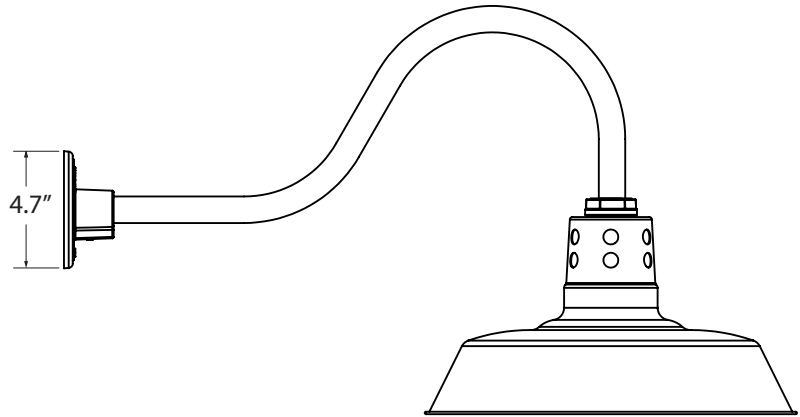
**FLUSH MOUNT (F)**



**STEM MOUNT PENDANT (S)**

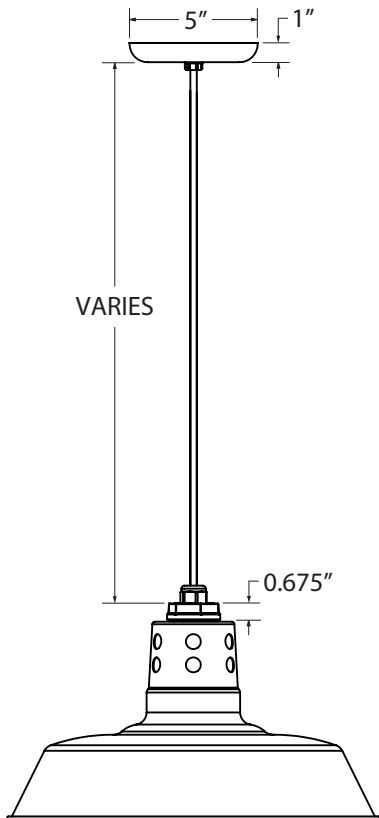


**GOOSENECK (G)**

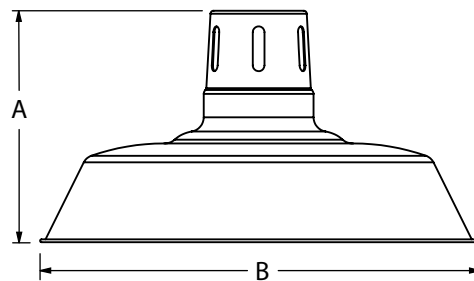


SHOWN WITH: G22 GOOSENECK ARM

**CORD HUNG PENDANT (C)**

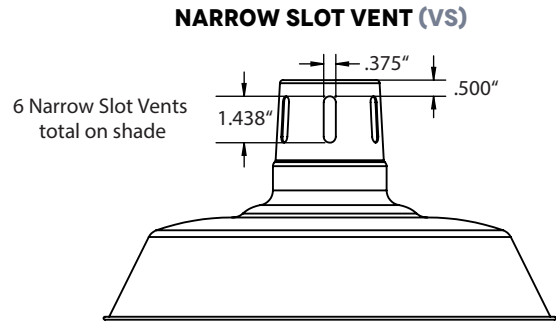
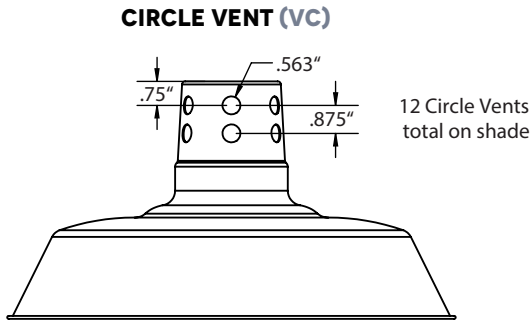


**AVAILABLE SHADE SIZES**



SHADE CODE	HEIGHT (A)	DIAMETER (B)
WHS12	7"	12"
WHS14	7.5"	14"
WHS16	7.75"	16"

**VENT OPTION**



**LIGHT SOURCE**

All published luminaire photometric testing performed to IESNA LM-79-08 standards by a NVLAP accredited laboratory. Data is considered to be representative of the configurations shown, within the tolerances allowed by Lighting Facts. To obtain an IES file specific to your project, please contact the factory.

OPTION	WATTAGE	LUMENS <small>*Avg. value, actual value dependent on bulb used</small>	CRI	VOLTAGE	DIMMING
<b>INCANDESCENT (MED E26)</b>					
E26	200W Max	*3000	*100	120 VAC	Bulb Dependant
<b>COMPACT FLOURESCENT (GU24 CFL)</b>					
GU24	23W Max	*1600	*75	120 VAC	Bulb Dependant

**SPECIFICATIONS**

**MOUNTING**

STEM  
1/2" Nominal (0.84" Actual) or 3/4" Nominal (1.05" Actual) Sch 40, 6063 Aluminum Mounting Stem. Custom Lengths Available upon Request.

GOOSENECK  
1/2" Nominal (0.84" Actual) or 3/4" Nominal (1.05" Actual) Sch 40, 6063 Aluminum Gooseneck

CORD  
Cord-hung Pendants Include 7' Of Standard Cord Or 5' Of Cotton Cord, +/- For Socket Orientation

**SHADE & FINISHES**

ORIGINAL™ SHADE  
Hand-Spun from High Purity 0.050" Thick 3003-O Temper Aluminum

POWDER COAT FINISHES  
Polyester Powder Coat Finishes Are Electro-Staticly Applied and Thermocured

**CERTIFICATIONS, LISTINGS & WARRANTY**

MADE IN THE USA  
Manufactured and Hand-Crafted in Our 60,000 Square Foot Facility Located in Titusville, FL

CSA LISTED FOR DAMP LOCATIONS  
Includes Gooseneck, Chain, Stem, Flush and Select Cord Mounting Styles

CSA LISTED FOR DRY LOCATIONS  
Includes Select Cord Mounting Styles

LIMITED WARRANTY  
For Additional Information on Our Limited Warranty, Please See Our Terms & Conditions