



REV 07.09.18

**THE FLUTED SHADE STEM & LOOP PENDANT**

BARN LIGHT PENDANT FAMILY

Max Weight: 10.0 lbs

PROJECT NAME \_\_\_\_\_

PROJECT TYPE \_\_\_\_\_

**SPS-0189**

BLE - S - SL - \_\_\_\_\_ - \_\_\_\_\_ - \_\_\_\_\_ - \_\_\_\_\_ - \_\_\_\_\_  
A B C D E

Order Example: BLE - S - SL - FLT12 - 705 - TBK - 24 - BK

**A - SHADE SIZE**

*FLUTED:*

- FLT10** 10" Shade
- FLT12** 12" Shade

**B - SHADE FINISH**

*POWDER COAT FINISHES<sup>1</sup>:*

- 100** Black
- 105** Textured Black
- 200** White
- 300** Dark Green
- 307** Emerald Green
- 311** Jadite
- 370** Mint
- 380** Chartreuse
- 390** Teal
- 400** Barn Red
- 420** Orange
- 470** Watermelon
- 480** Blush Pink
- 490** Magenta
- 500** Buttery Yellow
- 570** Sunflower
- 600** Bronze
- 601** Chocolate
- 605** Rust
- 615** Oil-Rubbed Bronze
- 700** Royal Blue
- 705** Navy
- 710** Cobalt Blue
- 715** Delphite Blue
- 800** Industrial Grey
- 805** Charcoal Granite
- 810** Graphite
- 975** Galvanized

**C - CORDS**

*NON-CSA LISTED CORD OPTIONS:*

- TBK** Black Cotton Twist
- TPT** Putty Cotton Twist

**D - STEM LENGTH**

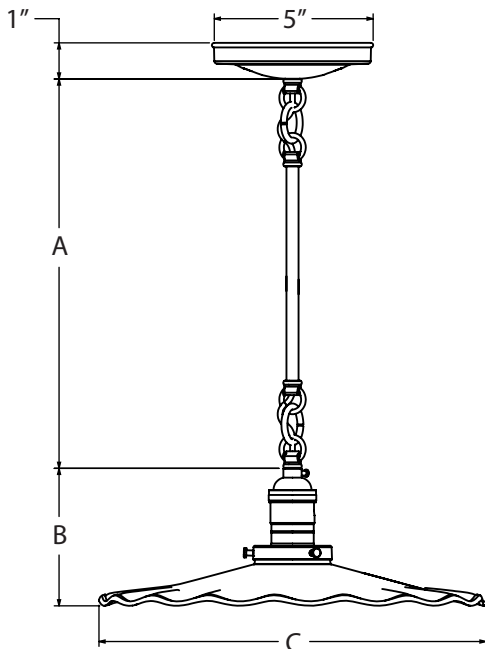
- 6** 6" Stem
- 12** 12" Stem
- 18** 18" Stem
- 24** 24" Stem
- 36** 36" Stem

**E - STEM & CANOPY FINISH**

- NS** Nickel Socket with No Switch
- NK** Nickel Socket with Knob Switch
- NP** Nickel Socket with Black Paddle Switch
- BS** Brass Socket with No Switch
- BK** Brass Socket with Knob Switch
- BP** Brass Socket with Black Paddle Switch

**IMPORTANT:** (1) All Powder Coat finished shades, excluding 975-Galvanized, feature a white interior

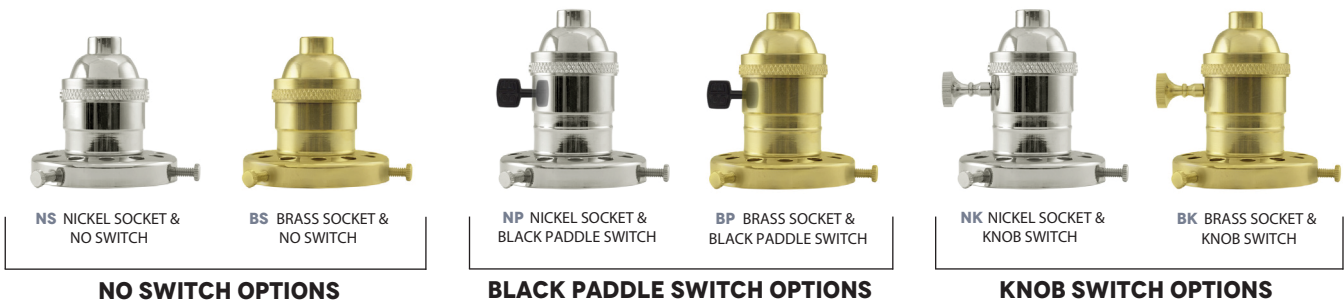
**DIMENSIONAL DRAWING**



STEM LENGTH	TOTAL LENGTH (A)
6 (6")	11"
12 (12")	17"
18 (18")	23"
24 (24")	29"
36 (36")	41"

SHADE CODE	HEIGHT (B)	DIAMETER (C)
<b>FLT10</b>	4.3"	10"
<b>FLT12</b>	4.3"	12"

**STEM & CANOPY FINISH**



**LIGHT SOURCE**

All published luminaire photometric testing performed to IESNA LM-79-08 standards by a NVLAP accredited laboratory. Data is considered to be representative of the configurations shown, within the tolerances allowed by Lighting Facts. To obtain an IES file specific to your project, please contact the factory.

OPTION	WATTAGE	LUMENS <small>*Avg. value, actual value dependent on bulb used</small>	CRI	VOLTAGE	DIMMING
<b>INCANDESCENT (MED E26)</b>					
<b>E26</b>	60W Max	800*	100*	120 VAC	Bulb Dependant

**SPECIFICATIONS**

**CONSTRUCTION**

CANOPY  
5" Nickel/Brass Mounting Canopy

STEM  
1/8" Nominal (0.375" Actual), Brass/Nickel Mounting Stem

**LIGHT SOURCE**

SOCKET  
E26 Medium Base Socket, 60W Max

**SHADE & FINISHES**

FLUTED SHADE  
Hand-Spun, High Purity 0.050" Thick 3003-O Temper Aluminum Shade

POWDER COAT FINISHES  
Polyester Powdercoat Electro-Statically Applied and Thermocured

**CERTIFICATIONS, LISTINGS & WARRANTY**

MADE IN THE USA  
Manufactured and Hand-Crafted in Titusville, FL.

CSA LISTED FOR DRY LOCATIONS

LIMITED WARRANTY  
For Additional Information on our Limited Warranty, Please See our Terms & Conditions