



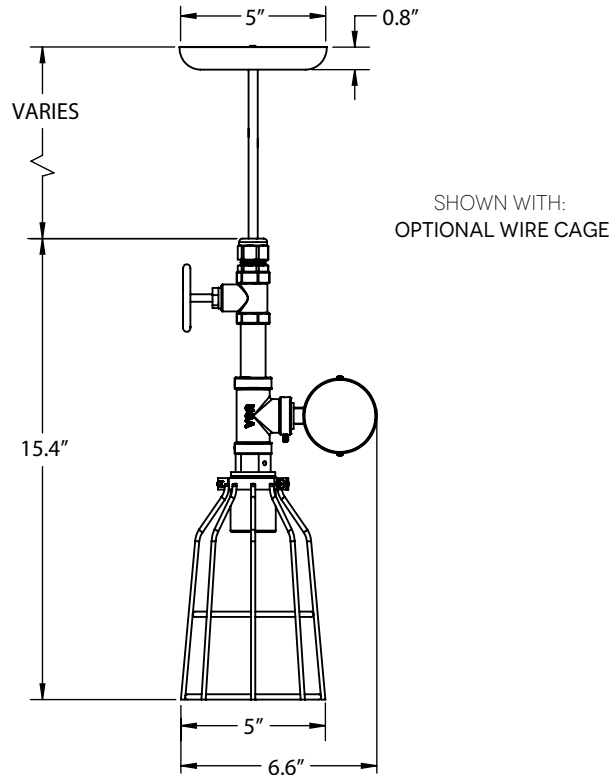
**BLE - C - MA3 - \_\_\_\_\_**  
**A**

Order Example: BLE - C - MA3 - WC

**A - WIRE CAGE**

**NA** None, No Wire Cage  
**WC** Wire Cage

**DIMENSIONAL DRAWING**



**IMPORTANT:**

**LIGHT SOURCE**

All published luminaire photometric testing is performed to IESNA LM-79-08 standards by a NVLAP accredited laboratory. Data is considered to be representative of the configurations shown, within the tolerances allowed by Lighting Facts. To obtain an IES file specific to your project, please contact our manufacturing facility or a sales representative.

OPTION	WATTAGE	CRI	VOLTAGE	DIMMING
<b>INCANDESCENT (MED E26)</b>				
<b>E26</b>	60W Max	100	120 VAC	Bulb Dependent

**SPECIFICATIONS**

**DESIGN & FINISH**

STEAMPUNK AESTHETIC  
 Embellished with Valves, Gauges and Other Industrial Flourishes to Demonstrate the Machine Age Heritage

AGED ALUMINUM FINISH

**CERTIFICATIONS, LISTINGS & WARRANTY**

MADE IN THE USA  
 Manufactured and Hand-Crafted in Our 60,000 Square Foot Facility Located in Titusville, FL

CSA LISTED FOR DRY LOCATIONS

LIMITED WARRANTY  
 For Additional Information on Our Limited Warranty, Please See Our Terms & Conditions