



BLE - S - MA4 - _____ - _____
 A **B**

Order Example: BLE - S - MA4 - 36 - NA

A - MOUNTING OPTIONS

STEM MOUNT OPTIONS:

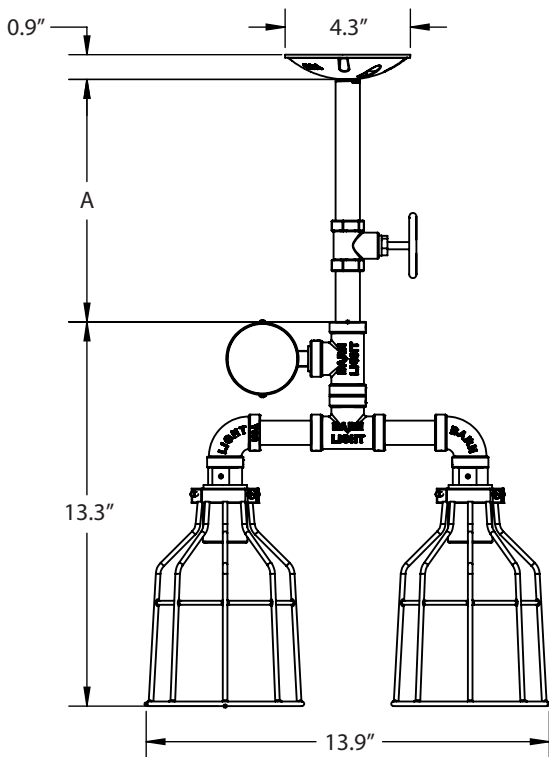
- 6** 6" Stem, .5" Diameter
- 12** 12" Stem, .5" Diameter
- 18** 18" Stem, .5" Diameter
- 24** 24" Stem, .5" Diameter
- 36** 36" Stem, .5" Diameter
- 48** 48" Stem, .5" Diameter

B - WIRE CAGE

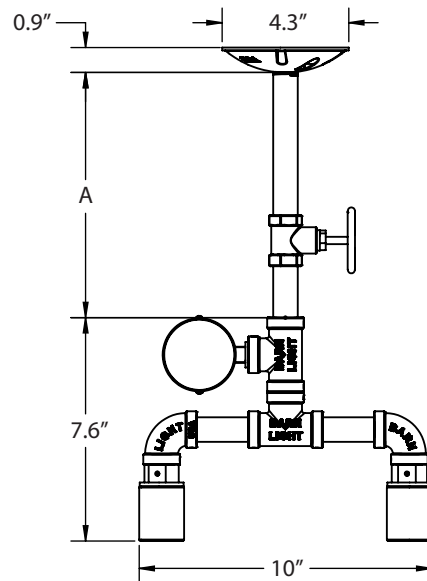
- NA** None/No Wire Cage
- WC** Wire Cage

IMPORTANT:

DIMENSIONAL DRAWING



SHOWN ABOVE WITH: 6" STEM & WIRE CAGES



SHOWN ABOVE WITH:
6" STEM & NO WIRE CAGES

STEM LENGTH	LENGTH (A)
6 (6" Stem)	8.4"
12 (12" Stem)	14.4"
18 (18" Stem)	20.4"
24 (24" Stem)	26.4"
36 (36" Stem)	38.4"
48 (48" Stem)	50.4"

SPECIFICATIONS

DESIGN & FINISH

AGED ALUMINUM FINISH
 STEAMPUNK AESTHETIC
 Embellished with Valves, Gauges and Other Industrial Flourishes to Demonstrate the Machine Age Heritage

CERTIFICATIONS, LISTINGS & WARRANTY

MADE IN THE USA
 Manufactured and Hand-Crafted in Our 60,000 Square Foot Facility Located in Titusville, FL
 CSA LISTED FOR DRY LOCATIONS
 LIMITED WARRANTY
 For Additional Information on Our Limited Warranty, Please See Our Terms & Conditions

LIGHT SOURCE

All published luminaire photometric testing performed to IESNA LM-79-08 standards by a NVLAP accredited laboratory. Data is considered to be representative of the configurations shown, within the tolerances allowed by Lighting Facts. To obtain an IES file specific to your project, please contact the factory.

OPTION	WATTAGE	LUMENS <small>*Avg. value, actual value dependent on bulb used</small>	CRI	VOLTAGE	DIMMING
INCANDESCENT (MED E26)					
E26	60W Max	800*	100*	120 VAC	Bulb Dependant