



BLE - W - _____ - N - _____ - _____ - _____ - _____ - _____
 A B C D E
 _____ - _____ - _____ - _____ - _____ - _____
 F G H I J K

Order Example: BLE - W - CLAR14 - N - 300 - TGG - SMK - 300 - NA - NA - DD - E26 - NA - NA

A - SHADE SIZE

THE CHESTNUT:
CLAR12 12" Shade
CLAR14 14" Shade

B - FINISHES

POWDER COAT FINISHES¹:
100 Black
105 Textured Black
200 White
300 Dark Green
307 Emerald Green
311 Jadite
370 Mint
380 Chartreuse
390 Teal
400 Barn Red
420 Orange
470 Watermelon
480 Blush Pink
490 Magenta
500 Buttery Yellow
570 Sunflower
600 Bronze
601 Chocolate
605 Rust
615 Oil-Rubbed Bronze
700 Royal Blue
705 Navy
710 Cobalt Blue
715 Delphite Blue
800 Industrial Grey
805 Charcoal Granite
810 Graphite
975 Galvanized

C - OPTIONAL ACCESSORY

NA None
TGG Heavy Duty Guard^{2,3}
CGG Cast Guard^{2,3}
WGG Wire Guard^{2,3}

D - GLASS OPTION

NA Not Applicable
CLR Clear Glass^{2,3}
FST Frosted Glass^{2,3}
RIB Ribbed Glass^{2,3}
CCR Clear Crackle Glass^{2,3}
SMK Smoke Crackle Glass^{2,3}
HCR Honey Crackle Glass^{2,3}

E - OPTIONAL ACCESSORY FINISH

Please Note: See Section B for all optional accessory finish options. (1) If no accessory is selected in Section C, select NA.
NA Not Applicable

F - PLUG-IN OPTION³

NA None
L-WL Plug with Inline On/Off Switch

G - PLUG-IN CORD OPTION³

NA Not Applicable
CSA LISTED CORD OPTIONS:
SBK Standard Black Cord
SWH Standard White Cord
CSB Black Cloth Cord
CSW White Cloth Cord
CSR Red Cloth Cord
CSBW Black & White Cloth
CSRW Red & White Cloth
CSBG Black & Gold Cloth
CSBP Black & Pink Cloth
CSGW Gold & White Cloth
CSUW Blue & White Cloth
CSBB Black & Brown Cloth

NON-CSA LISTED CORD OPTIONS:
CRZ Red Chevron
CMG Grey Cotton

H - DUSK-TO-DAWN PHOTOCELL³

NA None/Not Applicable
DD Dusk-to-Dawn Photocell³

I - LIGHT SOURCE

E26 200 Watt Max²
GU24 24 Bi-Pin, 23W Max^{2,4}
LED11 850 Lumen, 11W LED
LED16 1250 Lumen, 16W LED

J - COLOR TEMPERATURE⁵

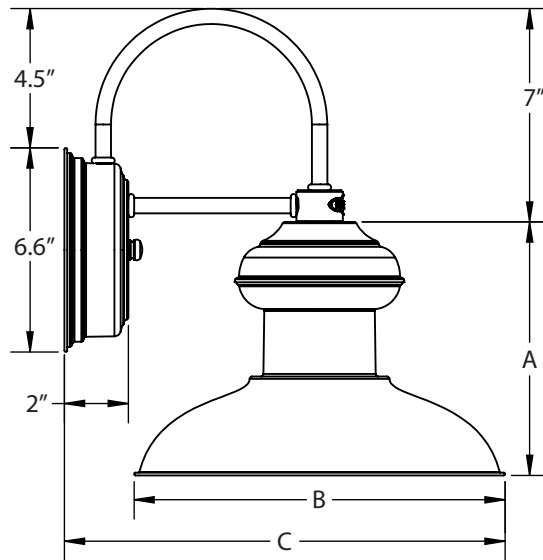
NA Not Applicable
2700K 2700K, Warm White
3000K 3000K, Neutral White
3500K 3500K, Bright White
4000K 4000K, Cool White

K - LED LENS⁵

NA Not Applicable
DL Domed Lens
FL Flat Lens

IMPORTANT: (1) All Powder Coat finished shades, with the exception of Galvanized, feature a white interior (2) Guard and Glass accessory reduces incandescent wattage to 100W Max and GU24 Bi-Pin to 18W Max (3) Option not available if LED Light Source is selected in Section I (4) Fixtures configured with GU24 socket are non-returnable (5) Option only applicable if LED11 or LED16 Light Source selected in Section I, select NA if E26 or GU24 Light Source selected

DIMENSIONAL DRAWING



SHADE CODE	HEIGHT (A)	DIAMETER (B)	PROJECTION (C)
CLAR12	8"	12"	14.3"
CLAR14	9.3"	14"	15.3"

LIGHT SOURCE

All published luminaire photometric testing performed to IESNA LM-79-08 standards by a NVLAP accredited laboratory. Data is considered to be representative of the configurations shown, within the tolerances allowed by Lighting Facts. To obtain an IES file specific to your project, please contact the factory.

OPTION	WATTAGE	LUMENS <small>*Avg. value, actual value dependent on bulb used</small>	CRI	VOLTAGE	DIMMING
LEDS					
LED11	11W	850	>90	120 VAC	TRIAC
LED16	16W	1250	>90	120 VAC	TRIAC
INCANDESCENT (MED E26)					
E26	200W Max	3000*	100*	120 VAC	Bulb Dependant
COMPACT FLOURESCENT (GU24 CFL)					
GU24	23W Max	1600*	75*	120 VAC	Bulb Dependant

SPECIFICATIONS

CERTIFICATIONS, LISTINGS & WARRANTY

MADE IN THE USA
 Manufactured and Hand-Crafted in Our 60,000 Square Foot Facility
 Located in Titusville, FL

CSA LISTED FOR WET LOCATIONS
 If Plug-In Option Selected, CSA Listed for Damp Locations Only

LIMITED WARRANTY
 For Additional Information on Our Limited Warranty, Please See
 Our Terms & Conditions

SHADE & FINISHES

THE CHESTNUT SHADE
 Hand-Spun from High Purity 0.050" Thick 3003-O Temper
 Aluminum

POWDER COAT FINISHES
 Polyester Powder Coat Finishes Are Electro-Statically Applied and
 Thermocured

SPECIFICATIONS (CONTINUED)

LED SPECIFICATIONS

LUMEN MAINTENANCE

L90(6K) > 36,300 Hours

COLOR TEMPERATURES

Standard Color Temperatures Available Include 2700K, 3000K, 3500K and 4000K. Custom Temperatures Available upon Request.

CRI

Minimum 90 CRI. Consult Factory for Other CRI Options.

EFFICACY

Up to 100 LPW Based on Wattage/Lumens in the Table

DRIVER & DIMMING OPTION

850 and 1250 Lumen, Relient on Triac Dimming 12W / 120V Mounted in Canopy, up to 5% Dimming

DESIGN

BACKING PLATE

Hand-Spun from High Purity 0.050" Thick 3003-O Temper Aluminum

WALL SCONCE ARM

1/4" Nominal (0.50" Actual) Steel/Aluminum Mounting Arm