



REV 06.21.18

THE SINCLAIR STEM & LOOP PENDANT

BARN LIGHT PENDANT FAMILY

Max Weight: 10.0 lbs

PROJECT NAME _____

PROJECT TYPE _____

SPS-0190

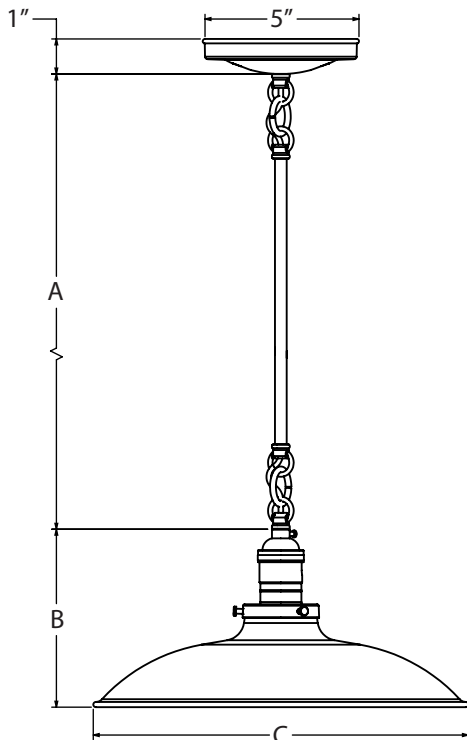
BLE - S - SL - _____ - _____ - _____ - _____ - _____
A B C D E

Order Example: BLE - S - SL - SBS14 - 455 - TBK - 24 - NP

A - SHADE SIZE	B - SHADE FINISH ¹	C - CORDS	E - STEM & CANOPY FINISH
<p>SINCLAIR:</p> <p>SBS10 10" Shade SBS12 12" Shade SBS14 14" Shade SBS16 16" Shade</p>	<p>PORCELAIN FINISHES:</p> <p>150 Black 250 White 350 Vintage Green 355 Jadite 455 Cherry Red 550 Yellow 650 Bronze 750 Cobalt Blue 765 Delphite Blue 850 Graphite 950 Metallic Chrome</p> <p>PORCELAIN GRANITEWARE FINISHES:</p> <p>160 Black with White 165 Black with Jadite & White 360 Jadite with Black & White 460 Red with Black 465 Red with White 760 Cobalt Blue with White</p>	<p>NON-CSA LISTED CORD OPTIONS:</p> <p>TBK Black Cotton Twist TPT Putty Cotton Twist</p>	<p>NS Nickel Socket with No Switch NK Nickel Socket with Knob Switch NP Nickel Socket with Black Paddle Switch BS Brass Socket with No Switch BK Brass Socket with Knob Switch BP Brass Socket with Black Paddle Switch</p>
		D - STEM LENGTH	
		<p>6 6" Stem 12 12" Stem 18 18" Stem 24 24" Stem 36 36" Stem</p>	

IMPORTANT: (1) All Porcelain Enamel finished shades feature a white interior and a black outer rim

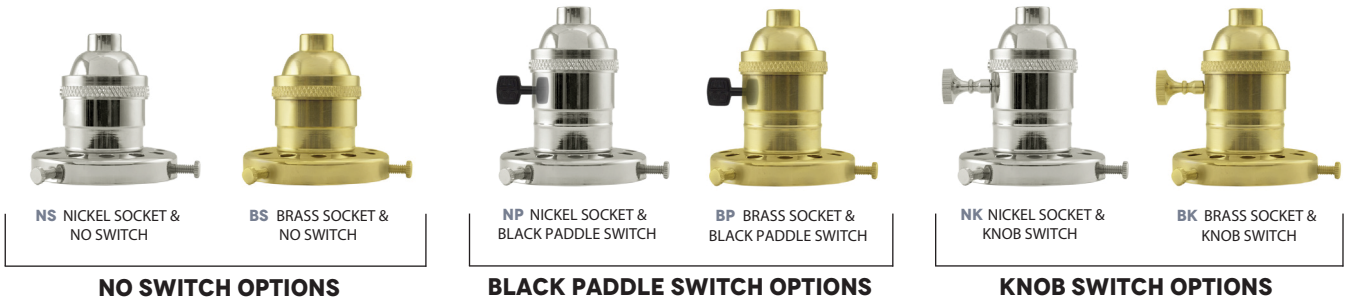
DIMENSIONAL DRAWING



STEM LENGTH	TOTAL LENGTH (A)
6 (6")	11"
12 (12")	17"
18 (18")	23"
24 (24")	29"
36 (36")	41"

SHADE CODE	HEIGHT (B)	DIAMETER (C)
SBS10	5.7"	10"
SBS12	5.7"	12"
SBS14	5.7"	14"
SBS16	5.7"	16"

STEM & CANOPY FINISH



LIGHT SOURCE

All published luminaire photometric testing performed to IESNA LM-79-08 standards by a NVLAP accredited laboratory. Data is considered to be representative of the configurations shown, within the tolerances allowed by Lighting Facts. To obtain an IES file specific to your project, please contact the factory.

OPTION	WATTAGE	LUMENS <small>*Avg. value, actual value dependent on bulb used</small>	CRI	VOLTAGE	DIMMING
INCANDESCENT (MED E26)					
E26	60W Max	800*	100*	120 VAC	Bulb Dependant

SPECIFICATIONS

CONSTRUCTION

CANOPY
5" Nickel/Brass Mounting Canopy

STEM
1/8" Nominal (0.375" Actual), Brass/Nickel Mounting Stem

SHADE & FINISHES

SINCLAIR SHADE
Hand-Spun from 20 Guage Sheet Metal

PORCELAIN FINISHES
Applied by Hand and Fired in a High Temperature Oven

LIGHT SOURCE

SOCKET
E26 Medium Base Socket, 60W Max

CERTIFICATIONS, LISTINGS & WARRANTY

MADE IN THE USA
Manufactured and Hand-Crafted in Titusville, FL.

CSA LISTED FOR DRY LOCATIONS

LIMITED WARRANTY
For Additional Information on our Limited Warranty, Please See our Terms & Conditions