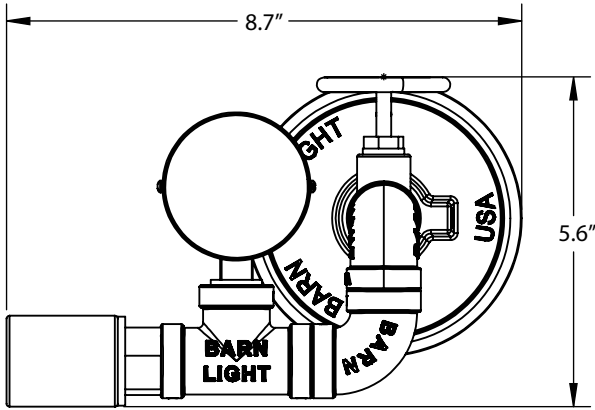




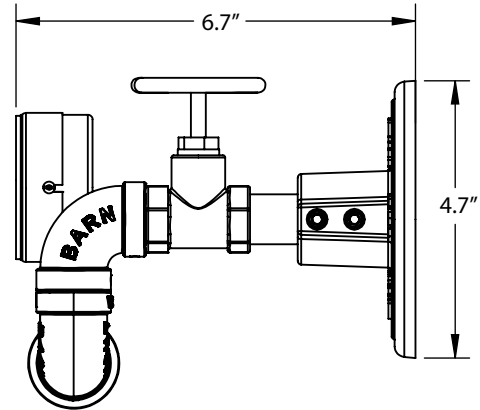
BLE - G - MA2

Order Example: BLE - G - MA2

DIMENSIONAL DRAWING



FRONT VIEW



SIDE VIEW

LIGHT SOURCE

All published luminaire photometric testing is performed to IESNA LM-79-08 standards by a NVLAP accredited laboratory. Data is considered to be representative of the configurations shown, within the tolerances allowed by Lighting Facts. To obtain an IES file specific to your project, please contact our manufacturing facility or a sales representative.

OPTION	WATTAGE	CRI	VOLTAGE	DIMMING
INCANDESCENT (MED E26)				
E26	60W Max	100	120 VAC	Bulb Dependent

SPECIFICATIONS

DESIGN

WALL BACKING PLATE
 Solid Cast Aluminum Metal Backing Plate

STEAMPUNK AESTHETIC
 Embellished with Valves, Gauges and Other Industrial Flourishes to Demonstrate the Machine Age Heritage

FINISH

AGED ALUMINUM FINISH

CERTIFICATIONS, LISTINGS & WARRANTY

MADE IN THE USA
 Manufactured and Hand-Crafted in Our 60,000 Square Foot Facility Located in Titusville, FL

CSA LISTED FOR DRY LOCATIONS

LIMITED WARRANTY
 For Additional Information on Our Limited Warranty, Please See Our Terms & Conditions