



REV 10.23.18

BARN LIGHT BENJAMIN INDUSTRIAL

PENDANT

BARN LIGHT PENDANT FAMILY

Max Weight: 10.0 lbs

PROJECT NAME _____

PROJECT TYPE _____

SPS-0181

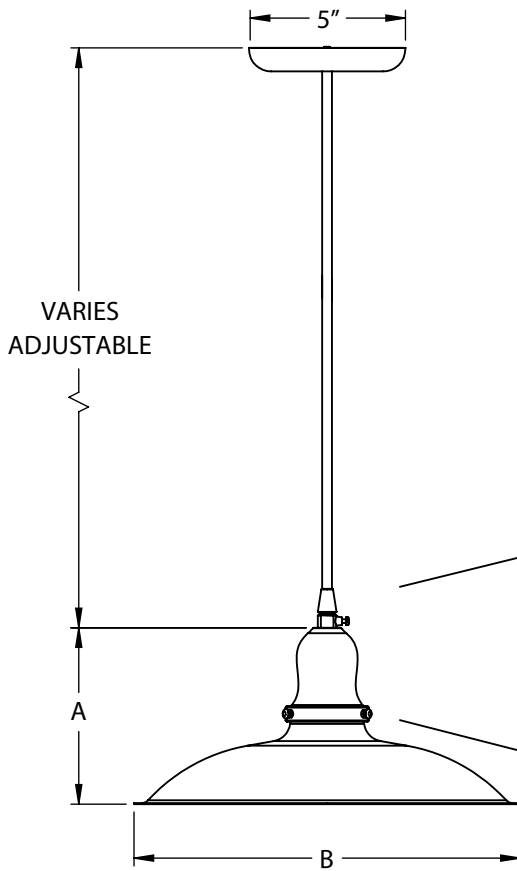


Order Example: BLE - CC - SBS16 - 307 - CSGW - 975 - ARMS - 307 - PS - 975

A - SHADE SIZE	C - CORDS	D - CUP FINISH	E - CUP STYLE
SBS10 10" Shade SBS12 12" Shade SBS14 14" Shade SBS16 16" Shade	CSA LISTED CORD OPTIONS: SBK Standard Black SWH Standard White CSB Black Cloth CSW White Cloth CSR Red Cloth CSBB Black & Brown Cloth CSRW Red & White Cloth CSGW Gold & White Cloth CSBG Black & Gold Cloth CSBW Black & White Cloth CSBP Black & Pink Cloth CSUW Blue & White Cloth NON-CSA LISTED CORD OPTIONS: CBK Black Cotton CMG Grey Cotton CRZ Red Chevron TBK Black Cotton Twist TWH White Cotton Twist TBR Brown Cotton Twist TRD Red Cotton Twist TPT Putty Cotton Twist TBW Black & White Twist TRW Red & White Twist TBB Brown & Beige Twist	POWDER COAT FINISHES: 100 Black 105 Textured Black 200 White 300 Dark Green 307 Emerald Green 311 Jadite 370 Mint 380 Chartreuse 390 Teal 400 Barn Red 420 Orange 470 Watermelon 480 Blush Pink 490 Magenta 500 Buttery Yellow 570 Sunflower 600 Bronze 601 Chocolate 605 Rust 615 Oil-Rubbed Bronze 700 Royal Blue 705 Navy 710 Cobalt Blue 715 Delphite Blue 800 Industrial Grey 805 Charcoal Granite 810 Graphite 975 Galvanized	NOARM No Arms ARMS Arms <div style="background-color: #4a5558; color: white; padding: 2px;">F - CEILING CANOPY FINISH</div> <p><i>Please Note: See Section B for all applicable canopy finish options.</i></p> <div style="background-color: #4a5558; color: white; padding: 2px;">G - SWITCH OPTIONS</div> <p>NS None/No Switch TKS Turn Key Switch³ PS Paddle Switch³</p> <div style="background-color: #4a5558; color: white; padding: 2px;">H - SWITCH FINISH^{3,4}</div> <p>NA Not Applicable <i>Please Note: See Section B for all applicable switch finish options. (1) Switch not available in Natural Finishes</i></p>
<div style="background-color: #4a5558; color: white; padding: 2px;">B - SHADE FINISH</div> <p>POWDER COAT FINISHES¹:</p> <p>100 Black 105 Textured Black 200 White 300 Dark Green 307 Emerald Green 311 Jadite 370 Mint 380 Chartreuse 390 Teal 400 Barn Red 420 Orange 470 Watermelon 480 Blush Pink 490 Magenta 500 Buttery Yellow 570 Sunflower 600 Bronze 601 Chocolate 605 Rust 615 Oil-Rubbed Bronze 700 Royal Blue 705 Navy 710 Cobalt Blue 715 Delphite Blue 800 Industrial Grey 805 Charcoal Granite 810 Graphite 975 Galvanized</p> <p>NATURAL FINISHES²:</p> <p>995 Raw Copper 996 Weathered Copper 997 Raw Brass 998 Weathered Brass 999 Oil-Rubbed Copper</p>			

IMPORTANT: (1) All Powder Coat finished shades, excluding 975-Galvanized, feature a white interior (2) Natural Finishes have a longer estimated manufacturing time, please check the website for exact lead time. There are no returns accepted on Natural Finishes. (3) Not available in Natural Finishes (4) Only applicable if a switch is selected in Section F, select NA if no switch is selected

DIMENSIONAL DRAWING



SHADE CODE	HEIGHT (A)	DIAMETER (B)
SBS10	5.8"	10"
SBS12	5.6"	12.3"
SBS14	6.0"	14"
SBS16	6.3"	16"

LEFT: CUP WITH OPTIONAL ARMS

CUP STYLE & SWITCH OPTIONS



LIGHT SOURCE

All published luminaire photometric testing performed to IESNA LM-79-08 standards by a NVLAP accredited laboratory. Data is considered to be representative of the configurations shown, within the tolerances allowed by Lighting Facts. To obtain an IES file specific to your project, please contact the factory.

OPTION	WATTAGE	LUMENS	CRI	VOLTAGE	DIMMING
*Avg. value, actual value dependent on bulb used					
INCANDESCENT (MED E26)					
E26	60W Max	1400*	100	120 VAC	Bulb Dependant

SPECIFICATIONS

MOUNTING

CANOPY
5" Hand-Spun, High Purity 0.050" Thick 3003-O Temper Aluminum Canopy

CORD
Cord-hung Pendants Include 7' Of Standard Cord Or 5' Of Cotton Cord, +/- For Socket Orientation

LIGHT SOURCE

SOCKET
E26 Medium Base Socket, 60W Max

SHADE & FINISHES

SHADE
Hand-Spun, High Purity 0.050" Thick 3003-O Temper Aluminum Shade

POWDER COAT FINISHES
Polyester Powdercoat Electro-Statically Applied and Thermocured

CERTIFICATIONS, LISTINGS & WARRANTY

MADE IN THE USA
Manufactured and Hand-Crafted in Titusville, FL.

CSA LISTED FOR DAMP OR DRY LOCATIONS
Dependent on Cord Selection, Please Refer to Website for Additional Details

LIMITED WARRANTY
For Additional Information on our Limited Warranty, Please See our Terms & Conditions