

Order Example: BLE - G - ULO16 - 380 - G40 - 380 - NA - NA - 100 - FST - DD - LED16.8 - 2700K

A - MOUNTING STYLE

- C** Cord Hung
- CN** Chain Hung
- F** Flush Mount
- G** Gooseneck
- S** Stem Mount

B - SHADE & SHADE SIZE

- THE OUTBACK:*
- ULO12** **ULO18**
 - ULO14** **ULO20**
 - ULO16**

C - SHADE FINISH

- POWDER COAT FINISHES⁶:*
- 100** Black
 - 105** Textured Black
 - 200** White
 - 300** Dark Green
 - 307** Emerald Green
 - 311** Jadite
 - 370** Mint
 - 380** Chartreuse
 - 390** Teal
 - 400** Barn Red
 - 420** Orange
 - 470** Watermelon
 - 480** Blush Pink
 - 490** Magenta
 - 500** Buttery Yellow
 - 570** Sunflower
 - 600** Bronze
 - 601** Chocolate
 - 605** Rust
 - 615** Oil-Rubbed Bronze
 - 700** Royal Blue
 - 705** Navy
 - 710** Cobalt Blue
 - 715** Delphite Blue
 - 800** Industrial Grey
 - 805** Charcoal Granite
 - 810** Graphite
 - 975** Galvanized
- NATURAL FINISHES⁹:*
- 995** Raw Copper
 - 996** Weathered Copper
 - 997** Raw Brass
 - 998** Weathered Brass
 - 999** Oil-Rubbed Copper

D - MOUNTING

- CSA LISTED CORD OPTIONS:*
- SBK** Standard Black
 - SWH** Standard White
 - CSB** Black Cloth
 - CSW** White Cloth
 - CSR** Red Cloth
 - CSBB** Black & Brown Cloth
 - CSRW** Red & White Cloth
 - CSGW** Gold & White Cloth
 - CSBG** Black & Gold Cloth
 - CSBW** Black & White Cloth
 - CSBP** Black & Pink Cloth
 - CSUW** Blue & White Cloth

NON-CSA LISTED CORD OPTIONS:

- CBK** Black Cotton
- CMG** Grey Cotton
- CRZ** Red Chevron
- TBK** Black Cotton Twist²
- TWH** White Cotton Twist²
- TBR** Brown Cotton Twist²
- TRD** Red Cotton Twist²
- TPT** Putty Cotton Twist²
- TBW** Black & White Twist²
- TRW** Red & White Twist²
- TBB** Brown & Beige Twist²

CHAIN MOUNT OPTIONS:

- CN36** 3' of Chain¹
- CN48** 4' of Chain¹
- CN60** 5' of Chain¹
- CN72** 6' of Chain¹

FLUSH MOUNT OPTIONS:

- FM¹**

GOOSENECK OPTIONS:

- G1¹** **G16¹**
- G2¹** **G17**
- G3¹** **G19¹**
- G4** **G22**
- G5¹** **G24**
- G6¹** **G25**
- G7** **G26¹**
- G8** **G32**
- G9** **G34¹**
- G10** **G35¹**
- G11¹** **G36¹**
- G12¹** **G40¹**
- G13** **G64¹**
- G14** **G65¹**
- G15**

D - MOUNTING (CONTINUED)

- STEM MOUNT OPTIONS:*
- ST506** .5" Stem Mount, 6"
 - ST512** .5" Stem Mount, 12"
 - ST518** .5" Stem Mount, 18"
 - ST524** .5" Stem Mount, 24"
 - ST536** .5" Stem Mount, 36"
 - ST548** .5" Stem Mount, 48"
 - ST706** .75" Stem Mount, 6"
 - ST712** .75" Stem Mount, 12"
 - ST718** .75" Stem Mount, 18"
 - ST724** .75" Stem Mount, 24"
 - ST736** .75" Stem Mount, 36"
 - ST748** .75" Stem Mount, 48"

E - MOUNTING FINISH

- Please Note: See Section C for all applicable Mounting Finish Options*
- (I) If Cord Hung [C] Mounting Style, selection identifies canopy finish*
 - (II) If Flush Mount [F] Mounting Style, select NA*
 - (III) If Stem Mount [S] Mounting Style, selection identifies stem and canopy finish*
 - (IV) If Chain Hung [CN] Mounting Style, selection identifies chain and canopy finish. Natural finishes not available.*
 - (V) If Gooseneck [G] Mounting Style, selection identifies gooseneck and wall backing plate finish*

- NA** Not Applicable

F - CORDS⁸

- NA** Not Applicable

CSA LISTED CORD OPTIONS:

- SBK** **CSB**
- CSR** **CSBB**
- SWH** **CSBW**
- CSGW** **CSBP**
- CSW** **CSRW**
- CSBG** **CSUW**

NON-CSA LISTED CORD OPTIONS:

- CBK** **CMG**
- CRZ**

G - CAP OPTION

- NA** No Cap/Not Applicable
- CAP** Cap⁵

H - CAST GUARD FINISH

Please Note: See Section C for all applicable Cast Guard Finish Options
(I) Cast Gaurd not available in Natural Finishes

I - GLASS OPTION

- CLR** Clear Glass¹⁰
- FST** Frosted Glass
- RIB** Ribbed Glass
- CCR** Clear Crackle Glass
- SMK** Smoke Crackle Glass
- HCR** Honey Crackle Glass

J - MOUNTING ACCESSORY

- NA** None/Not Applicable
- HSC** Hang Straight Canopy³
- HDSMC** Heavy Duty Stem Mount Canopy¹
- HDBP** Heavy Duty Backing Plate^{1,2}
- DD** Dusk-to-Dawn Photocell¹
- DBPC** Decorative Backing Plate Cover
- DCHX** Decorative Backing Plate Cover & Hex Cover¹

K - LIGHT SOURCE

- E26** 100 Watt Max
- GU24** 24 Bi-Pin, 18W Max
- LED16.8** 16.8W LED, 1600 Lumen

L - COLOR TEMPERATURE⁷

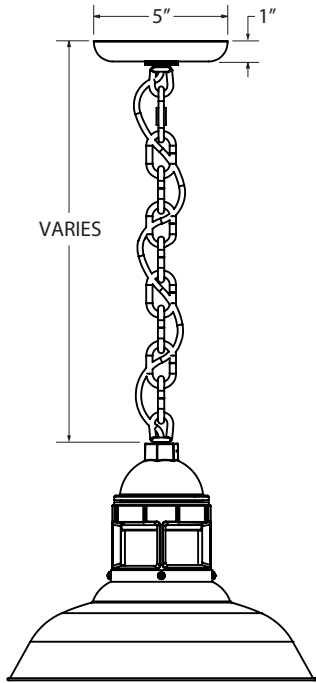
- NA** Not Applicable
- 2700K** 2700K, Warm White
- 3000K** 3000K, Neutral White
- 3500K** 3500K, Bright White
- 4000K** 4000K, Cool White

IMPORTANT: (1) Not available in Natural Finishes (2) Not available in LED (3) Only applicable if Stem Mounting Style selected in Section A (4) Cap not available if Chain Hung mounting style is selected in Section A (5) Cap Finish will match shade finish selected in Section C (6) All Powder Coat finished shades, Galvanized excluded, feature a white interior (7) Only applicable if LED16.8 Light Source is selected in Section J, select NA is non-LED source selected (8) Only applicable if Chain Hung Mounting Style is selected in Section A (9) Natural Finishes have a longer estimated manufacturing time, please check the website for exact lead time. There are no returns accepted on Natural Finishes (10) Not recommended if LED Light Source is selected in Section K (11) Only available if Natural Finish is selected in Section C

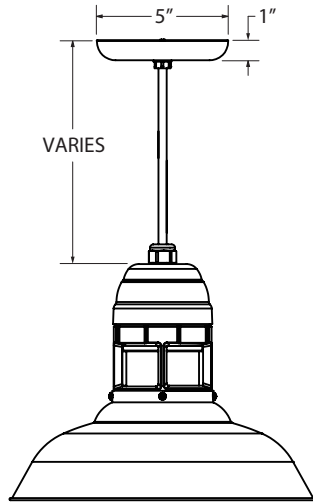
MOUNTING STYLE

Galvanized steel shades are crafted from 20 Ga Sheet metal while 1100-0 Aluminum—ranging from 0.050" to 0.125"—is used for all other shades. All shades have their edges rolled, and the result is highly durable and stylish lighting.

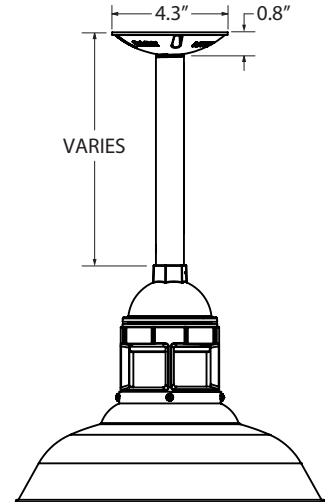
CHAIN HUNG PENDANT (CN)



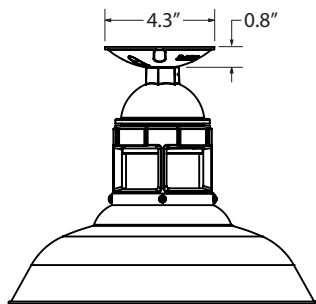
CORD HUNG PENDANT (C)



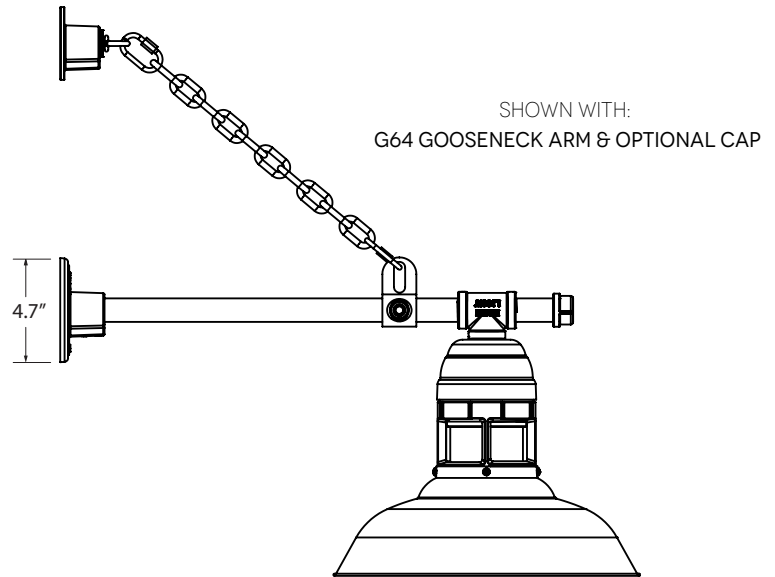
STEM MOUNT PENDANT (S)



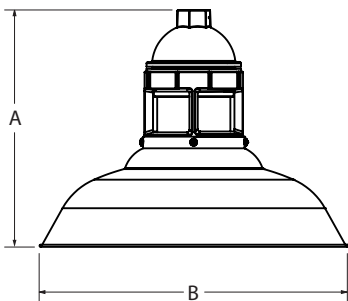
FLUSH MOUNT (F)



GOOSENECK (G)



AVAILABLE SHADE SIZES



SHADE CODE	HEIGHT (A)	DIAMETER (B)
ULO12	10.8"	12"
ULO14	10.8"	14"
ULO16	11.3"	16"
ULO18	12.3"	18"
ULO20	12.8"	20"



LIGHT SOURCE

All published luminaire photometric testing performed to IESNA LM-79-08 standards by a NVLAP accredited laboratory. Data is considered to be representative of the configurations shown, within the tolerances allowed by Lighting Facts. To obtain an IES file specific to your project, please contact the factory.

OPTION	WATTAGE	LUMENS <small>*Avg. value, actual value dependent on bulb used</small>	CRI	VOLTAGE	DIMMING
INCANDESCENT (MED E26)					
E26	100W Max	1400*	100	120 VAC	Bulb Dependant
COMPACT FLOURESCENT (GU24 CFL)					
GU24	18W Max	1400*	75	120 VAC	Bulb Dependant
LED					
LED16.8	16.8W	1600	>90	120 VAC	TRIAC

SPECIFICATIONS

MOUNTING

STEM
1/2" Nominal (0.84" Actual) or 3/4" Nominal (1.05" Actual) Sch 40, 6063 Aluminum Mounting Stem. Custom Lengths Available upon Request.

GOOSENECK
1/2" Nominal (0.84" Actual) or 3/4" Nominal (1.05" Actual) Sch 40, 6063 Aluminum Gooseneck

CORD
Cord-hung Pendants Include 7' Of Standard Cord Or 5' Of Cotton Cord, +/- For Socket Orientation

SHADE & FINISHES

OUTBACK SHADE
Hand-Spun from High Purity 0.050" Thick 3003-O Temper Aluminum

POWDER COAT FINISHES
Polyester Powder Coat Finishes Are Electro-Statically Applied and Thermocured

CERTIFICATIONS, LISTINGS & WARRANTY

MADE IN THE USA
Manufactured and Hand-Crafted in Our 60,000 Square Foot Facility Located in Titusville, FL

CSA LISTED FOR WET LOCATIONS
Includes all Stem and Gooseneck Mounting Styles

CSA LISTED FOR DAMP LOCATIONS
Includes all Chain and select Cord Hung Mounting Styles

LIMITED WARRANTY
For Additional Information on Our Limited Warranty, Please See Our Terms & Conditions

LED SPECIFICATIONS

LUMEN MAINTENANCE
LED16.8 Source is L90(11K) > 61,000 Hours.

COLOR TEMPERATURES
Standard Color Temperatures Available Include 2700K, 3000K, 3500K and 4000K. Custom Temperatures Available upon Request.

CRI
Minimum 90 CRI. Consult Factory for Other CRI Options.

EFFICACY
Delivers over 95 Lumens per Watt.

DRIVER & DIMMING OPTION
Reliant on Triac Dimming 16.8W / 120V, Dimmable down to 1% Depending on Dimmer. Requires Compatible Dimming Switch.