

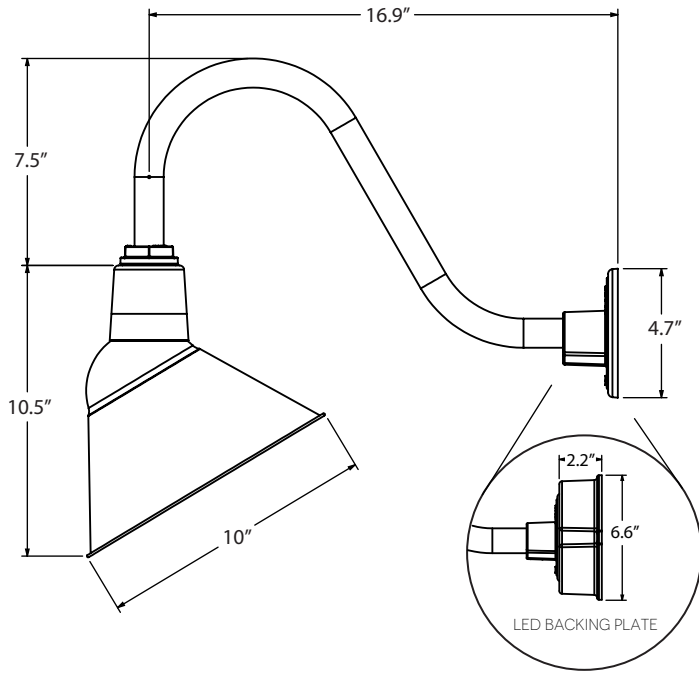
Order Example: BLE - G - ASFC12 - 995 - G4 - 995 - NA - NA - NA - NA - DCHX - LED11 - 3000K

| | | | | | | | | | | | | | | | | | | | | | | | | | | | | | | | | | |
|---|---|-----------------------|------------------------|-----------------------|------------|--------------------------|--------------------------|-----------|------------|-----------------------|------------|-----------|------------|-----------|------------------------|-----------|------------|-----------|------------------------|------------|------------------------|------------------------|------------------------|------------------------|--------------------------|------------|------------------------|------------|------------------------|------------|--|--|---|
| <p>A - SHADE SIZE</p> <p><i>FRONTIER/FIRE CHIEF:</i></p> <p>ASFC8 8" Shade^{1,2} ASFC10 10" Shade ASFC12 12" Shade ASFC14 14" Shade</p> <hr/> <p>B - SHADE FINISH</p> <p><i>POWDER COAT FINISHES³:</i></p> <p>100 Black 105 Textured Black 200 White 300 Dark Green 307 Emerald Green 311 Jadite 370 Mint 380 Chartreuse 390 Teal 400 Barn Red 420 Orange 470 Watermelon 480 Blush Pink 490 Magenta 500 Buttery Yellow 570 Sunflower 600 Bronze 601 Chocolate 605 Rust 615 Oil-Rubbed Bronze 700 Royal Blue 705 Navy 710 Cobalt Blue 715 Delphite Blue 800 Industrial Grey 805 Charcoal Granite 810 Graphite 975 Galvanized</p> <p><i>PORCELAIN FINISHES⁴:</i></p> <p>150 Black 250 White 350 Vintage Green 355 Jadite 455 Cherry Red 550 Yellow 650 Bronze 750 Cobalt Blue 765 Delphite Blue 850 Graphite 950 Metallic Chrome</p> | <p>B - SHADE FINISH (CONTINUED)</p> <p><i>NATURAL FINISHES⁵:</i></p> <p>995 Raw Copper 996 Weathered Copper 997 Raw Brass 998 Weathered Brass 999 Oil-Rubbed Copper</p> <hr/> <p>C - GOOSENECK ARMS</p> <p><i>GOOSENECK OPTIONS:</i></p> <table border="0"> <tr><td>G1⁶</td><td>G16⁶</td></tr> <tr><td>G2⁶</td><td>G17</td></tr> <tr><td>G3^{6,13}</td><td>G19^{6,7}</td></tr> <tr><td>G4</td><td>G22</td></tr> <tr><td>G5⁶</td><td>G24</td></tr> <tr><td>G6</td><td>G25</td></tr> <tr><td>G7</td><td>G26⁶</td></tr> <tr><td>G8</td><td>G32</td></tr> <tr><td>G9</td><td>G34⁶</td></tr> <tr><td>G10</td><td>G35⁶</td></tr> <tr><td>G11⁶</td><td>G36⁶</td></tr> <tr><td>G12⁶</td><td>G40^{6,7}</td></tr> <tr><td>G13</td><td>G64⁶</td></tr> <tr><td>G14</td><td>G65⁶</td></tr> <tr><td>G15</td><td></td></tr> </table> <hr/> <p>D - GOOSENECK ARM FINISH</p> <p><i>Please Note: See Section B for all applicable Gooseneck Arm Finish Options. Gooseneck arms are also available in 980-Brushed Aluminum. (I) If Porcelain Finish selected, gooseneck arm will be powder coat painted-to-match.</i></p> <p>980 Brushed Aluminum</p> <hr/> <p>E - SWIVEL KNUCKLE</p> <p>NA None SWK Swivel Knuckle</p> | G1⁶ | G16⁶ | G2⁶ | G17 | G3^{6,13} | G19^{6,7} | G4 | G22 | G5⁶ | G24 | G6 | G25 | G7 | G26⁶ | G8 | G32 | G9 | G34⁶ | G10 | G35⁶ | G11⁶ | G36⁶ | G12⁶ | G40^{6,7} | G13 | G64⁶ | G14 | G65⁶ | G15 | | <p>F - OPTIONAL ACCESSORIES</p> <p>NA None WC Wire Cage⁶ TGG Heavy Duty Guard^{6,8} CGG Cast Guard^{6,8} WGG Wire Guard^{6,8}</p> <hr/> <p>G - GLASS OPTIONS⁹</p> <p>NA Not Applicable CLR Clear Glass¹⁰ FST Frosted Glass RIB Ribbed Glass CCR Clear Crackle Glass SMK Smoke Crackle Glass HCR Honey Crackle Glass</p> <hr/> <p>H - OPTIONAL ACCESSORY FINISH</p> <p><i>Please Note: See Section B for all applicable Accessory Finish Options. (I) Wire Cage and Guards not available in Natural Finishes. (II) If Porcelain Finish is selected, accessory will be powder coat painted-to-match. (III) If no accessory selected in Section F, select NA.</i></p> <p>NA Not Applicable</p> <hr/> <p>I - MOUNTING ACCESSORY</p> <p>NA None HDBP Heavy Duty Backing Plate^{6,7} DD Dusk-to-Dawn Photocell⁷ DBPC Decorative Backing Plate Cover DCHX Decorative Backing Plate Cover & Hex Cover LDCHX LED Decorative Backing Plate Cover & Hex Cover</p> | <p>J - LIGHT SOURCE</p> <p>E26 200 Watt Max⁸ GU24 24 Bi-Pin, 23W Max⁸ LED11 11W LED, 850 Lumen¹¹ LED16 16W LED, 1250 Lumen¹¹ LED16.8 16W LED, 1600 Lumen⁸ LED27 27W LED, 2000 Lumen¹¹</p> <hr/> <p>K - COLOR TEMPERATURE¹²</p> <p>NA Not Applicable 2700K 2700K, Warm White 3000K 3000K, Neutral White 3500K 3500K, Bright White 4000K 4000K, Cool White</p> |
| G1⁶ | G16⁶ | | | | | | | | | | | | | | | | | | | | | | | | | | | | | | | | |
| G2⁶ | G17 | | | | | | | | | | | | | | | | | | | | | | | | | | | | | | | | |
| G3^{6,13} | G19^{6,7} | | | | | | | | | | | | | | | | | | | | | | | | | | | | | | | | |
| G4 | G22 | | | | | | | | | | | | | | | | | | | | | | | | | | | | | | | | |
| G5⁶ | G24 | | | | | | | | | | | | | | | | | | | | | | | | | | | | | | | | |
| G6 | G25 | | | | | | | | | | | | | | | | | | | | | | | | | | | | | | | | |
| G7 | G26⁶ | | | | | | | | | | | | | | | | | | | | | | | | | | | | | | | | |
| G8 | G32 | | | | | | | | | | | | | | | | | | | | | | | | | | | | | | | | |
| G9 | G34⁶ | | | | | | | | | | | | | | | | | | | | | | | | | | | | | | | | |
| G10 | G35⁶ | | | | | | | | | | | | | | | | | | | | | | | | | | | | | | | | |
| G11⁶ | G36⁶ | | | | | | | | | | | | | | | | | | | | | | | | | | | | | | | | |
| G12⁶ | G40^{6,7} | | | | | | | | | | | | | | | | | | | | | | | | | | | | | | | | |
| G13 | G64⁶ | | | | | | | | | | | | | | | | | | | | | | | | | | | | | | | | |
| G14 | G65⁶ | | | | | | | | | | | | | | | | | | | | | | | | | | | | | | | | |
| G15 | | | | | | | | | | | | | | | | | | | | | | | | | | | | | | | | | |

IMPORTANT: (1) Optional guard accessory in Section F not available with select shade size (2) Select shade size not available in LED (3) All Powder Coat finished shades, Galvanized excluded, feature a white interior (4) All Porcelain Enamel finished shades feature a white interior and a black outer rim (5) Natural Finishes have a longer estimated manufacturing time, please check the website for exact lead time. There are no returns accepted on Natural Finishes (6) Not available in Natural Finishes (7) Not available if LED Light Source is selected in Section J (8) Guard and Glass accessory reduces incandescent wattage to 100W Max, GU24 Bi-Pin to 18W Max and LED Max to 1600 Lumens (9) Selection only applicable if a guard is selected in Section F, select NA if no guard is selected (10) Not recommended if LED Light Source is selected in Section J (11) Light Source not applicable if TGG, CGG and WGG Guard is selected in Section F (12) Selection only applicable if LED Light Source selected in Section J (13) Gooseneck Arm not applicable if ASFC12 or ASFC14 shade selected in Section A

DIMENSIONAL DRAWING

Galvanized steel shades are crafted from 20 Ga Sheet metal while 1100-0 Aluminum—ranging from 0.050" to 0.125"—is used for all other shades. All shades have their edges rolled, and the result is highly durable and stylish lighting.



SHOWN WITH: G15 GOOSENECK ARM & 10" SHADE

AVAILABLE SHADE SIZES

| SHADE CODE | HEIGHT (A) | DIAMETER (B) |
|------------|------------|--------------|
| ASFC8 | 8" | 8" |
| ASFC10 | 10.5" | 10" |
| ASFC12 | 12" | 12" |
| ASFC14 | 14.5" | 14" |

LIGHT SOURCE

All published luminaire photometric testing performed to IESNA LM-79-08 standards by a NVLAP accredited laboratory. Data is considered to be representative of the configurations shown, within the tolerances allowed by Lighting Facts. To obtain an IES file specific to your project, please contact the factory.

| OPTION | WATTAGE | LUMENS | CRI | VOLTAGE | DIMMING |
|---------------------------------------|----------|--------|-----|-------------|----------------|
| LEDS | | | | | |
| LED11 | 11W | 850 | >90 | 120 VAC | TRIAC |
| LED16 | 16W | 1250 | >90 | 120 VAC | TRIAC |
| LED16.8 | 16W | 1600 | >90 | 120 VAC | TRIAC |
| LED27 | 27W | 2000 | >90 | 120-277 VAC | 0-10V |
| INCANDESCENT (MED E26) | | | | | |
| E26 | 200W Max | 1400 | 100 | 120 VAC | Bulb Dependant |
| COMPACT FLOURESCENT (GU24 CFL) | | | | | |
| GU24 | 23W Max | 1400 | 75 | 120 VAC | Bulb Dependant |

SPECIFICATIONS

MOUNTING

GOOSENECK
1/2" Nominal (0.84" Actual) or 3/4" Nominal (1.05" Actual) Sch 40,
6063 Aluminum Gooseneck

LED SPECIFICATIONS

LUMEN MAINTENANCE
L90(6K) > 36,300 Hours, LED16.8 Source is L90(11K) > 61,000 Hours

COLOR TEMPERATURES
Standard Color Temperatures Available Include 2700k, 3000k,
3500k and 4000k. Custom Temperatures Available upon Request

CRI
Minimum 90 CRI, Consult Factory for Other CRI Options

EFFICACY
Up to 100 LPW Based on Wattage/Lumens in the Table

DRIVER & DIMMING OPTION
850 and 1250 Lumen, Reliant on Triac Dimming 12W / 120V
Mounted in Canopy, up to 5% Dimming.
2000 Lumen Reliant on 0-10V Dimmer, Generally up to 10%
Dimming. Requires Compatible Dimming Switch.

SHADE & FINISHES

FRONTIER SHADE
Hand-Spun from High Purity 0.050" Thick 3003-O Temper
Aluminum

FIRE CHIEF PORCELAIN SHADE
Hand-Spun from 20 Guage Sheet Metal

POWDER COAT FINISHES
Polyester Powder Coat Finishes Are Electro-Staticly Applied and
Thermocured

PORCELAIN FINISHES
Applied by Hand and Fired in a High Temperature Oven

CERTIFICATIONS, LISTINGS & WARRANTY

MADE IN THE USA
Manufactured and Hand-Crafted in Our 60,000 Square Foot Facility
Located in Titusville, FL

CSA LISTED FOR WET LOCATIONS

LIMITED WARRANTY
For Additional Information on Our Limited Warranty, Please See
Our Terms & Conditions