

Order Example: BLE - G - DCS16 - 380 - G22 - 380 - NA - CGG - 380 - NA - NA - LED16.8 - 2700K - NA

**A - MOUNTING STYLE**

- C** Cord Hung
- CN** Chain Hung
- F** Flush Mount
- G** Gooseneck
- S** Stem Mount

**B - SHADE SIZE**

- SUMMIT/STERLING:**
- DCS12**
  - DCS14**
  - DCS16**

**C - SHADE FINISH**

- POWDER COAT FINISHES<sup>3</sup>:**
- 100** Black
  - 105** Textured Black
  - 200** White
  - 300** Dark Green
  - 307** Emerald Green
  - 311** Jadite
  - 370** Mint
  - 380** Chartreuse
  - 390** Teal
  - 400** Barn Red
  - 420** Orange
  - 470** Watermelon
  - 480** Blush Pink
  - 490** Magenta
  - 500** Buttery Yellow
  - 570** Sunflower
  - 600** Bronze
  - 601** Chocolate
  - 605** Rust
  - 615** Oil-Rubbed Bronze
  - 700** Royal Blue
  - 705** Navy
  - 710** Cobalt Blue
  - 715** Delphite Blue
  - 800** Industrial Grey
  - 805** Charcoal Granite
  - 810** Graphite
  - 975** Galvanized

**PORCELAIN FINISHES<sup>4</sup>:**

- 150** Black
- 250** White
- 350** Vintage Green
- 355** Jadite
- 455** Cherry Red
- 550** Yellow
- 650** Bronze

**C - SHADE FINISH (CONTINUED)**

- PORCELAIN FINISHES<sup>4</sup>:**
- 750** Cobalt Blue
  - 765** Delphite Blue
  - 850** Graphite
  - 950** Metallic Chrome

**D - MOUNTING**

- CSA LISTED CORD OPTIONS:**
- SBK** Standard Black
  - SWH** Standard White
  - CSB** Black Cloth
  - CSW** White Cloth
  - CSR** Red Cloth
  - CSBB** Black & Brown Cloth
  - CSRW** Red & White Cloth
  - CSGW** Gold & White Cloth
  - CSBG** Black & Gold Cloth
  - CSBW** Black & White Cloth
  - CSBP** Black & Pink Cloth
  - CSUW** Blue & White Cloth

**NON-CSA LISTED CORD OPTIONS:**

- CBK** Black Cotton
- CMG** Grey Cotton
- CRZ** Red Chevron
- TBK** Black Cotton Twist<sup>5</sup>
- TWH** White Cotton Twist<sup>5</sup>
- TBR** Brown Cotton Twist<sup>5</sup>
- TRD** Red Cotton Twist<sup>5</sup>
- TPT** Putty Cotton Twist<sup>5</sup>
- TBW** Black & White Twist<sup>5</sup>
- TRW** Red & White Twist<sup>5</sup>
- TBB** Brown & Beige Twist<sup>5</sup>

**CHAIN MOUNT OPTIONS:**

- CN36** 3' of Chain
- CN48** 4' of Chain
- CN60** 5' of Chain
- CN72** 6' of Chain

**FLUSH MOUNT OPTIONS:**

- FM**

**GOOSENECK OPTIONS:**

- G1**                      **G16**
- G2**                      **G17**
- G3**                      **G19<sup>5</sup>**
- G4**                      **G22**
- G5**                      **G24**
- G6**                      **G25**
- G7**                      **G26**
- G8**                      **G32**

**D - MOUNTING (CONTINUED)**

- GOOSENECK OPTIONS:**
- G9**                      **G34**
  - G10**                     **G35**
  - G11**                     **G36**
  - G12**                     **G40<sup>5</sup>**
  - G13**                     **G64**
  - G14**                     **G65**
  - G15**

**STEM MOUNT OPTIONS:**

- ST506** .5" Stem Mount, 6"<sup>1</sup>
- ST512** .5" Stem Mount, 12"<sup>1</sup>
- ST518** .5" Stem Mount, 18"<sup>1</sup>
- ST524** .5" Stem Mount, 24"<sup>1</sup>
- ST536** .5" Stem Mount, 36"<sup>1</sup>
- ST548** .5" Stem Mount, 48"<sup>1</sup>
- ST706** .75" Stem Mount, 6"
- ST712** .75" Stem Mount, 12"
- ST718** .75" Stem Mount, 18"
- ST724** .75" Stem Mount, 24"
- ST736** .75" Stem Mount, 36"
- ST748** .75" Stem Mount, 48"

**E - MOUNTING FINISH**

- Please Note: See Section C for Finish Options. 980-Brushed Aluminum is also available for Gooseneck and Stem mounting styles. If Porcelain Finish is selected, mounting will be powder coat painted-to-match.*
- (1) If Cord Hung [C] or Flush Mount [F] Mounting Style, selection identifies canopy finish*  
*(II) If Chain Hung [CN] Mounting Style, selection identifies chain and canopy finish*  
*(III) If Stem Mount [S] Mounting Style, selection identifies stem and canopy finish*
- 980** Brushed Aluminum

**F - CORDS<sup>9</sup>**

- Please Note: See Section D for all applicable CSA Listed Cord Options. Non-CSA Listed Cord Options for Chain Hung Mounting Style limited to: Black Cotton [CBK], Red Chevron [CRZ] and Grey Cotton [CMG]*
- NA** Not Applicable

**G - SHADE ACCESSORIES**

- NA** None
- WC** Wire Cage
- TGG** Heavy Duty Guard<sup>6</sup>
- CGG** Cast Guard<sup>6</sup>
- WGG** Wire Guard<sup>6</sup>

**H - SHADE ACCESSORY FINISH**

- Please Note: See Section C for Finish Options. Natural Finishes not applicable with Wire Cage or Guard. If Porcelain Finish is selected, accessory will be powder coat painted-to-match*
- NA** Not Applicable

**I - GLASS OPTION**

- NA** Not Applicable
- CLR** Clear Glass<sup>6,11</sup>
- FST** Frosted Glass<sup>6</sup>
- RIB** Ribbed Glass<sup>6</sup>
- CCR** Clear Crackle Glass<sup>6</sup>
- SMK** Smoke Crackle Glass<sup>6</sup>
- HCR** Honey Crackle Glass<sup>6</sup>

**J - MOUNTING ACCESSORY**

- NA** None/Not Applicable
- HSC** Hang Straight Canopy<sup>2,12</sup>
- HDSMC** Heavy Duty Stem Mount Canopy<sup>5,12</sup>
- HDBP** Heavy Duty Backing Plate<sup>5</sup>
- DD** Dusk-to-Dawn Photocell<sup>5</sup>
- DBPC** Decorative Backing Plate Cover
- LDBPC** LED Decorative Backing Plate Cover

**K - LIGHT SOURCE**

- E26** 200 Watt Max<sup>6</sup>
- GU24** 24 Bi-Pin, 23W Max<sup>6</sup>
- LED11** 850 Lumen, 11W LED<sup>7</sup>
- LED16** 1250 Lumen, 16W LED<sup>7</sup>
- LED16.8** 1600 Lumen, 16W LED<sup>6</sup>

**L - COLOR TEMPERATURE<sup>8</sup>**

- NA** Not Applicable
- 2700K** 2700K, Warm White
- 3000K** 3000K, Neutral White
- 3500K** 3500K, Bright White
- 4000K** 4000K, Cool White

**M - LED LENS<sup>1,8</sup>**

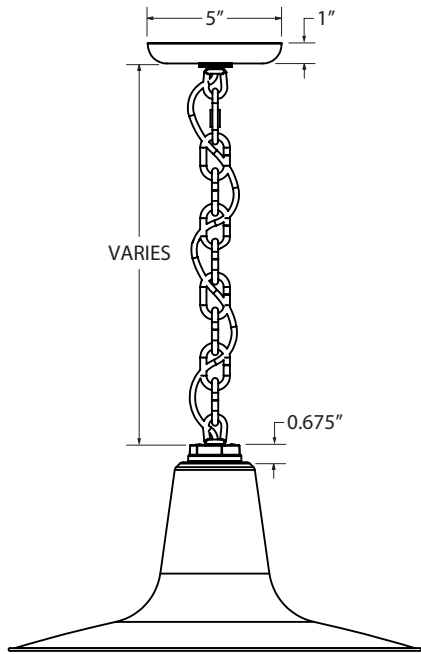
- NA** Not Applicable
- DL** Domed Lens
- FL** Flat Lens

**IMPORTANT:** (1) Not applicable if LED16.8 Light Source selected in Section K (2) Only applicable if Stem Mounting Style selected in Section A (3) All Powder Coat finished shades, Galvanized excluded, feature a white interior (4) All Porcelain Enamel finished shades feature a white interior and a black outer rim (5) Not available in LED (6) Guard and Glass accessory reduces incandescent wattage to 100W Max, GU24 Bi-Pin to 18W Max and LED Max to 1600 Lumens (7) Not available with the Guard & Glass Accessory (8) Only applicable if an LED Light Source is selected in Section K, select NA if another light source is selected (9) Only applicable if Chain Hung Mounting Style selected in Section A, select NA if another Mounting Style is selected (11) Not recommended if LED Light Source is selected in Section K (12) Only applicable if Stem Mount Mounting Style is selected in Section A

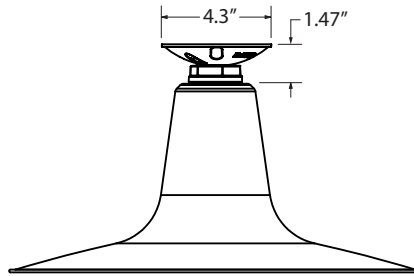
**MOUNTING STYLE**

Galvanized steel shades are crafted from 20 Ga Sheet metal while 1100-0 Aluminum—ranging from ranging from 0.050" to 0.125"—is used for all other shades. All shades have their edges rolled, and the result is highly durable and stylish lighting.

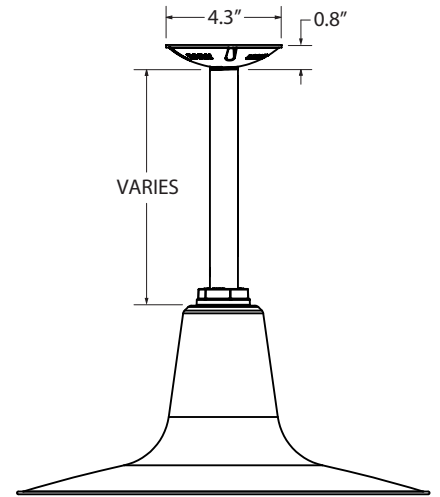
**CHAIN HUNG PENDANT (CN)**



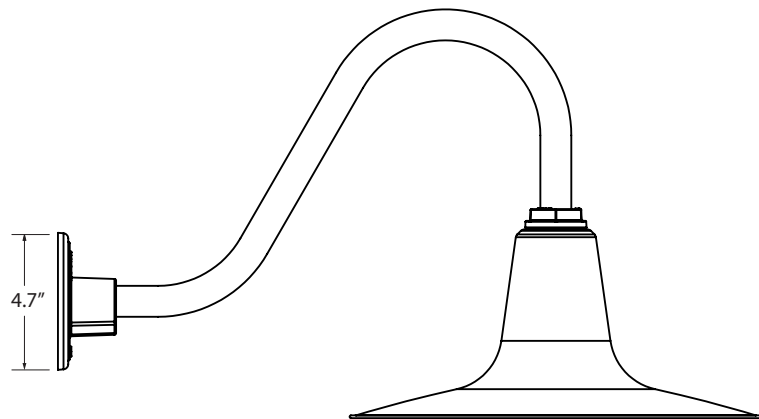
**FLUSH MOUNT (F)**



**STEM MOUNT PENDANT (S)**

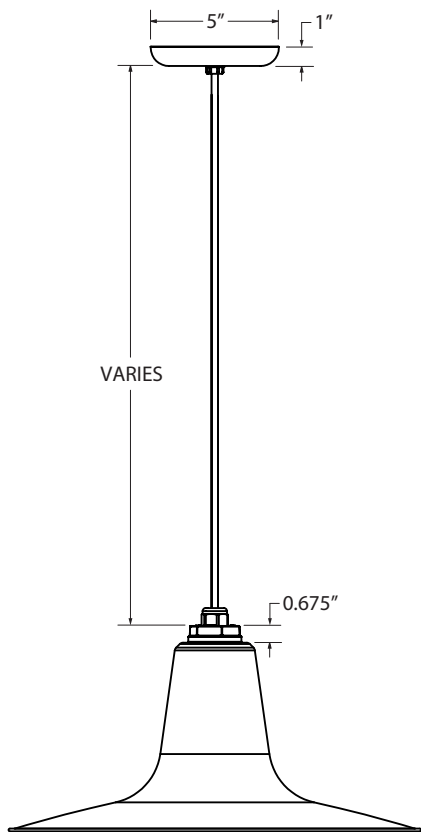


**GOOSENECK (G)**

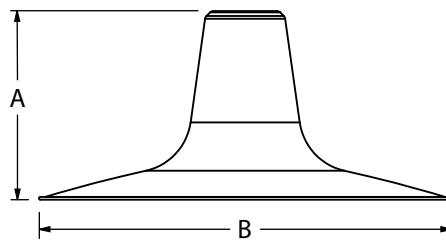


SHOWN WITH: G15 GOOSENECK ARM

**CORD HUNG PENDANT (C)**



**AVAILABLE SHADE SIZES**



SHADE CODE	HEIGHT (A)	DIAMETER (B)
DCS12	5.75"	12"
DCS14	6.50"	14"
DCS16	7"	16"

**LIGHT SOURCE**

All published luminaire photometric testing performed to IESNA LM-79-08 standards by a NVLAP accredited laboratory. Data is considered to be representative of the configurations shown, within the tolerances allowed by Lighting Facts. To obtain an IES file specific to your project, please contact the factory.

OPTION	WATTAGE	LUMENS <small>*Avg. value, actual value dependent on bulb used</small>	CRI	VOLTAGE	DIMMING
<b>LEDS</b>					
LED11	11W	850	>90	120 VAC	TRIAC
LED16	16W	1250	>90	120 VAC	TRIAC
LED16.8	16W	1600	>90	120 VAC	TRIAC
<b>INCANDESCENT (MED E26)</b>					
E26	200W Max	*3000	*100	120 VAC	Bulb Dependant
<b>COMPACT FLOURESCENT (GU24 CFL)</b>					
GU24	23W Max	*1600	*75	120 VAC	Bulb Dependant

**SPECIFICATIONS**

**MOUNTING**

**STEM**  
1/2" Nominal (0.84" Actual) or 3/4" Nominal (1.05" Actual) Sch 40, 6063 Aluminum Mounting Stem. Custom Lengths Available upon Request.

**GOOSENECK**  
1/2" Nominal (0.84" Actual) or 3/4" Nominal (1.05" Actual) Sch 40, 6063 Aluminum Gooseneck

**CORD**  
Cord-hung Pendants Include 7' Of Standard Cord Or 5' Of Cotton Cord, +/- For Socket Orientation

**SHADE & FINISHES**

**SUMMIT SHADE**  
Hand-Spun from High Purity 0.050" Thick 3003-O Temper Aluminum

**STERLING PORCELAIN SHADE**  
Hand-Spun from 20 Guage Sheet Metal

**POWDER COAT FINISHES**  
Polyester Powder Coat Finishes Are Electro-Statically Applied and Thermocured

**PORCELAIN FINISHES**  
Applied by Hand and Fired in a High Temperature Oven

**LED SPECIFICATIONS**

**LUMEN MAINTENANCE**  
L90(6K) > 36,300 Hours, LED16.8 Source is L90(11K) > 61,000 Hours.

**COLOR TEMPERATURES**  
Standard Color Temperatures Available Include 2700K, 3000K, 3500K and 4000K. Custom Temperatures Available upon Request.

**CRI**  
Minimum 90 CRI. Consult factory for other CRI options.

**EFFICACY**  
Up to 100 LPW Based on Wattage/Lumens in the Table

**DRIVER & DIMMING OPTION**  
850 and 1250 Lumen, Reliant on Triac Dimming 12W / 120V Mounted in Canopy, up to 5% Dimming.

**CERTIFICATIONS, LISTINGS & WARRANTY**

**MADE IN THE USA**  
Manufactured and Hand-Crafted in Our 60,000 Square Foot Facility Located in Titusville, FL

**CSA LISTED FOR WET LOCATIONS**  
Includes All Stem and Gooseneck Mounting Styles

**CSA LISTED FOR DAMP LOCATIONS**  
Includes All Chain and Select Cord Hung Mounting Styles

**LIMITED WARRANTY**  
For Additional Information on Our Limited Warranty, Please See Our Terms & Conditions