



BLE - _____ - CGG - _____ - _____ - _____ - _____ - _____ - _____
 A B C D E F
 _____ - _____ - _____ - _____
 H I J K

Order Example: BLE - C - CGG - SBK - 200 - NA - FS - TGG - 200 - CCR - NA - E26 - NA

A - MOUNTING STYLE

- C** Cord Hung
- CN** Chain Hung
- F** Flush Mount
- G** Gooseneck
- S** Stem Mount

B - MOUNTING

- CSA LISTED CORD OPTIONS:*
- SBK** Standard Black
 - SWH** Standard White
 - CSB** Black Cloth
 - CSW** White Cloth
 - CSR** Red Cloth
 - CSBB** Black & Brown Cloth
 - CSRW** Red & White Cloth
 - CSGW** Gold & White Cloth
 - CSBG** Black & Gold Cloth
 - CSBW** Black & White Cloth
 - CSBP** Black & Pink Cloth
 - CSUW** Blue & White Cloth

- NON-CSA LISTED CORD OPTIONS:*
- CBK** Black Cotton
 - CMG** Grey Cotton
 - CRZ** Red Chevron
 - TBK** Black Cotton Twist
 - TWH** White Cotton Twist
 - TBR** Brown Cotton Twist
 - TRD** Red Cotton Twist
 - TPT** Putty Cotton Twist
 - TBW** Black & White Twist
 - TRW** Red & White Twist
 - TBB** Brown & Beige Twist

- CHAIN MOUNT OPTIONS:*
- CN36** 3' of Chain
 - CN48** 4' of Chain
 - CN60** 5' of Chain
 - CN72** 6' of Chain

- FLUSH MOUNT OPTIONS:*
- FM**

B - MOUNTING (CONTINUED)

- GOOSENECK OPTIONS:*
- | | |
|------------|------------|
| G1 | G16 |
| G2 | G17 |
| G3 | G19 |
| G4 | G22 |
| G5 | G24 |
| G6 | G25 |
| G7 | G26 |
| G8 | G32 |
| G9 | G34 |
| G10 | G35 |
| G11 | G36 |
| G12 | G40 |
| G13 | G64 |
| G14 | G65 |
| G15 | |

- STEM MOUNT OPTIONS:*
- ST506** .5" Stem Mount, 6"
 - ST512** .5" Stem Mount, 12"
 - ST518** .5" Stem Mount, 18"
 - ST524** .5" Stem Mount, 24"
 - ST536** .5" Stem Mount, 36"
 - ST548** .5" Stem Mount, 48"
 - ST706** .75" Stem Mount, 6"
 - ST712** .75" Stem Mount, 12"
 - ST718** .75" Stem Mount, 18"
 - ST724** .75" Stem Mount, 24"
 - ST736** .75" Stem Mount, 36"
 - ST748** .75" Stem Mount, 48"

C - MOUNTING FINISH

Please Note: 980-Brushed Aluminum only available for Gooseneck and Stem mounting styles.

(I) If Cord Hung [C] Mounting Style, selection identifies canopy finish

(II) If Chain Hung [CN] Mounting Style, selection identifies chain and canopy finish

(III) If Flush Mount [F] Mounting Style, selection identifies canopy finish

(IV) If Gooseneck [G] Mounting Style, selection identifies gooseneck and wall backing plate finish

(V) If Stem Mount [S] Mounting Style, selection identifies stem and canopy finish

C - MOUNTING FINISH (CONT.)

- POWDER COAT FINISHES:*
- 100** Black
 - 105** Textured Black
 - 200** White
 - 300** Dark Green
 - 307** Emerald Green
 - 311** Jadite
 - 370** Mint
 - 380** Chartreuse
 - 390** Teal
 - 400** Barn Red
 - 480** Blush Pink
 - 490** Magenta
 - 420** Orange
 - 470** Watermelon
 - 500** Buttery Yellow
 - 570** Sunflower
 - 600** Bronze
 - 605** Rust
 - 601** Chocolate
 - 615** Oil-Rubbed Bronze
 - 700** Royal Blue
 - 705** Navy
 - 710** Cobalt Blue
 - 715** Delphite Blue
 - 800** Industrial Grey
 - 805** Charcoal Granite
 - 810** Graphite
 - 975** Galvanized
 - 980** Brushed Aluminum

D - CORDS¹

- NA** Not Applicable
- Please Note: See Section B for all applicable CSA Listed Cord Options. Non-CSA Listed Cord Options for Chain Hung Mounting Style limited to: Black Cotton [CBK], Red Chevron [CRZ] and Grey Cotton [CMG]*

E - SHADE OPTION

- NA** None/No Shade
- FS** Flared Shade
- WH** Warehouse Shade²

F - CAST GUARD OPTION

- TGG** Heavy Duty Cast Guard
- CGG** Standard Cast Guard
- WGG** Wire Guard

G - GUARD FINISH

Please Note: See Section C for all guard finish options. Finish 980-Brushed Aluminum not applicable.

H - GLASS OPTIONS

- NA** Not Applicable
- CLR** Clear Glass³
- FST** Frosted Glass
- RIB** Ribbed Glass
- CCR** Clear Crackle Glass
- SMK** Smoke Crackle Glass
- HCR** Honey Crackle Glass

I - MOUNTING ACCESSORY

- NA** None/Not Applicable
- HSC** Hang Straight Canopy⁴
- HDSMC** Heavy Duty Stem Mount Canopy⁴
- HDBP** Heavy Duty Backing Plate⁵
- DD** Dusk-to-Dawn Photocell⁵
- DBPC** Decorative Backing Plate Cover⁵
- LDBPC** LED Decorative Backing Plate Cover⁵

J - LIGHT SOURCE

- E26** 100 Watt Max
- GU24** 24 Bi-Pin, 18W Max⁶
- LED16.8** 1600 Lumen, 16W LED

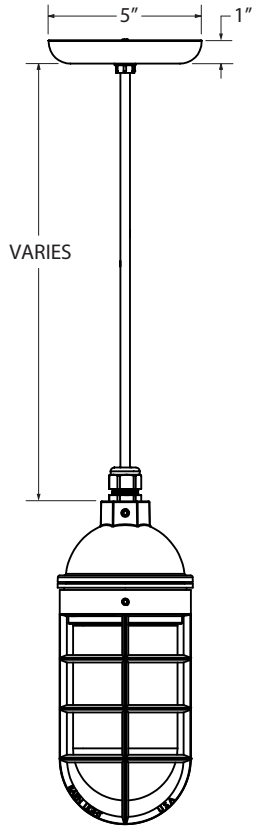
K - COLOR TEMPERATURE⁷

- NA** Not Applicable
- 2700K** 2700K, Warm White
- 3000K** 3000K, Neutral White
- 3500K** 3500K, Bright White
- 4000K** 4000K, Cool White

IMPORTANT: (1) Selection only applicable if Chain Hung (CN) Mounting Style selected in Section A, select NA if another Mounting Style is selected (2) Warehouse Shade not available if Chain Hung (CN) Mounting Style is selected in Section A (3) Clear Glass not recommended if LED16.8 Light Source selected in Section J (4) Selection only applicable if Stem Mount (S) Mounting Style is selected in Section A (5) Selection only applicable if Gooseneck (G) Mounting Style is selected in Section A (6) Fixtures configured with GU24 socket are non-returnable (7) Selection only applicable if LED 16.8 Light Source selected in Section J, select NA if E26 or GU24 source selected

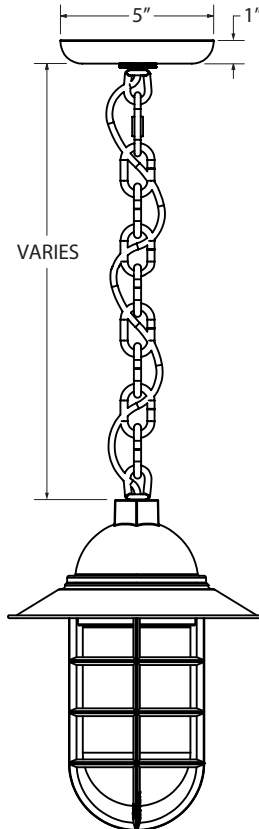
MOUNTING STYLE

CORD HUNG PENDANT (C)



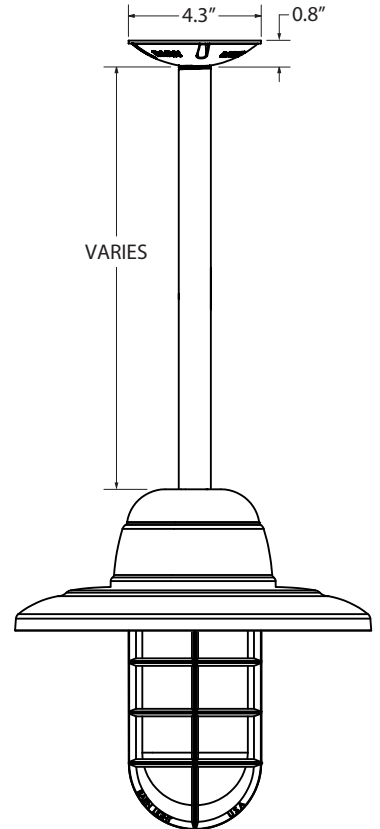
SHOWN WITH: NO SHADE

CHAIN HUNG PENDANT (CN)



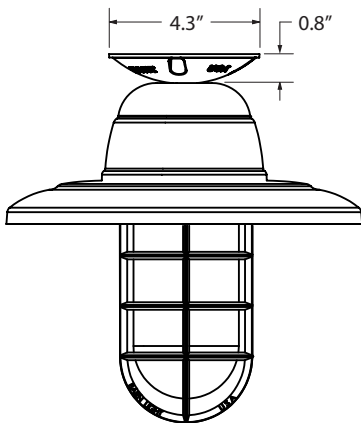
SHOWN WITH: FLARED SHADE

STEM MOUNT PENDANT (S)



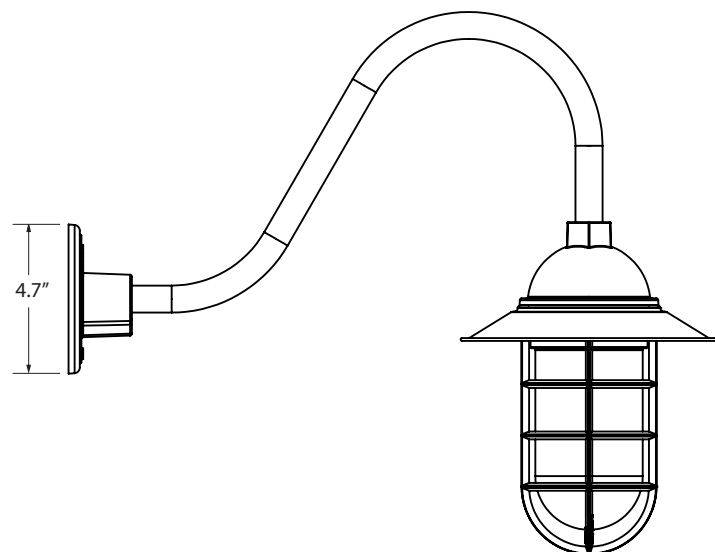
SHOWN WITH: WAREHOUSE SHADE

FLUSH MOUNT PENDANT (F)



SHOWN WITH: WAREHOUSE SHADE

GOOSENECK (G)



SHOWN WITH: G11 GOOSENECK ARM & FLARED SHADE

LIGHT SOURCE

All published luminaire photometric testing performed to IESNA LM-79-08 standards by a NVLAP accredited laboratory. Data is considered to be representative of the configurations shown, within the tolerances allowed by Lighting Facts. To obtain an IES file specific to your project, please contact the factory.

OPTION	WATTAGE	LUMENS <small>*Avg. value, actual value dependent on bulb used</small>	CRI	VOLTAGE	DIMMING
INCANDESCENT (MED E26)					
E26	100W Max	1600*	100*	120 VAC	Bulb Dependant
COMPACT FLOURESCENT (GU24 CFL)					
GU24	18W Max	1600*	75*	120 VAC	Bulb Dependant
LED					
LED16.8	16W	1600	>90	120 VAC	TRIAC

SPECIFICATIONS

LED SPECIFICATIONS

LUMEN MAINTENANCE

LED16.8 Source is L90(11K) > 61,000 Hours.

COLOR TEMPERATURES

Standard Color Temperatures Available Include 2700K, 3000K, 3500K and 4000K. Custom Temperatures Available upon Request.

CRI

Minimum 90 CRI, Consult Factory for Other CRI Options

EFFICACY

Delivers over 95 Lumens per Watt

DRIVER & DIMMING OPTION

Reliant on Triac Dimming 16.8W / 120V, Dimmable down to 1% Depending on Dimmer. Requires Compatible Dimming Switch.

FINISHES & DESIGN

POWDER COAT FINISHES

Polyester Powder Coat Finishes Are Electro-Staticly Applied and Thermocured

STEM

1/2" Nominal (0.84" Actual) or 3/4" Nominal (1.05" Actual) Sch 40, 6063 Aluminum Mounting Stem. Custom Lengths Available upon Request.

GOOSENECK

1/2" Nominal (0.84" Actual) or 3/4" Nominal (1.05" Actual) Sch 40, 6063 Aluminum Gooseneck

CORD

Cord-hung Pendants Include 7' Of Standard Cord Or 5' Of Cotton Cord, +/- For Socket Orientation

CERTIFICATIONS, LISTINGS & WARRANTY

MADE IN THE USA

Manufactured and Hand-Crafted in Our 60,000 Square Foot Facility Located in Titusville, FL

CSA LISTED FOR WET LOCATIONS

Includes all Stem and Gooseneck Mounting Styles

CSA LISTED FOR DAMP LOCATIONS

Includes all Chain and Select Cord Hung Mounting Styles

LIMITED WARRANTY

For Additional Information on Our Limited Warranty, Please See Our Terms & Conditions