



REV 07.09.19

THE STERLING POST MOUNT COLLECTION

BARN LIGHT OUTDOOR LIGHTING COLLECTION

Max Weight: 10.0 lbs

PROJECT NAME _____

PROJECT TYPE _____

SPS-0270

BLE - _____ - _____ - _____ - _____ - _____ - _____ - _____ - _____

A B C D E F G

_____ - _____ - _____ - _____ - _____ - _____ - _____ - _____

H I J K L

Order Example: BLE - PMTD - DCS14 - 355 - 975 - CGG - CCR - 975 - PMDBS12 - 975 - E26 - NA - NA

A - POST MOUNT MODEL

PMS	Single Post
PMSD	Single Decorative Post
PMD	Double Post
PMDD	Double Decorative Post
PMTD	Triple Decorative Post

B - SHADE SIZE**STERLING:**

DCS14	14" Shade
DCS16	16" Shade

C - SHADE FINISH**POWDER COAT FINISHES¹:**

100	Black
105	Textured Black
200	White
300	Dark Green
307	Emerald Green
311	Jadite
370	Mint
380	Chartreuse
390	Teal
400	Barn Red
420	Orange
470	Watermelon
480	Blush Pink
490	Magenta
500	Buttery Yellow
570	Sunflower
600	Bronze
601	Chocolate
605	Rust
615	Oil-Rubbed Bronze
700	Royal Blue
705	Navy
710	Cobalt Blue
715	Delphite Blue
800	Industrial Grey
805	Charcoal Granite
810	Graphite
975	Galvanized

PORCELAIN FINISHES²:

150	Black
250	White
350	Vintage Green

C - SHADE FINISH (CONTINUED)**PORCELAIN FINISHES²:**

355	Jadite
455	Cherry Red
550	Yellow
650	Bronze
750	Cobalt Blue
765	Delphite Blue
850	Graphite
950	Metallic Chrome

NATURAL FINISHES³:

995	Raw Copper
996	Weathered Copper
997	Raw Brass
998	Weathered Brass
999	Oil-Rubbed Copper

D - POST MOUNT FINISH

100	Black
200	White ⁴
975	Galvanized

E - OPTIONAL POST MOUNT ACCESSORY

NA	None
WC	Wire Cage
TGG	Heavy Duty Guard ⁵
CGG	Cast Guard ⁵
WGG	Wire Guard ⁵

F - GLASS OPTION

NA	Not Applicable
CLR	Clear Glass ⁴⁵
FST	Frosted Glass ⁴⁵
RIB	Ribbed Glass ⁴⁵
CCR	Clear Crackle Glass ⁴⁵
SMK	Smoke Crackle Glass ⁴⁵
HCR	Honey Crackle Glass ⁴⁵

G - OPTIONAL POST MOUNT ACCESSORY FINISH

Please Note: See **Section C** for all optional post mount accessory finish options.

(I) If a porcelain finish is selected, accessory will be powder coat painted-to-match.

(II) Accessories not available in Natural Finishes

(III) If no accessory is selected in Section E, select NA.

NA Not Applicable

H - DIRECT BURIAL POLE

NA	None
PMDBSP8	8' Smooth Pole
PMDBFP8	8' Fluted Pole
PMDBS10	10' Smooth Pole
PMDBF10	10' Fluted Pole
PMDBS12	12' Smooth Pole
PMDBF12	12' Fluted Pole

I - BURIAL POLE FINISH

NA	Not Applicable
100	Black
200	White ¹
975	Galvanized

J - LIGHT SOURCE

E26	200 Watt Max ³
GU24	24 Bi-Pin, 23W Max ^{5,6}
LED11	11W LED, 850 Lumen ⁷
LED16	16W LED, 1250 Lumen ⁷
LED16.8	16W LED, 1600 Lumen ⁵

K - COLOR TEMPERATURE⁸

NA	Not Applicable
2700	2700K, Warm White
3000	3000K, Neutral White
3500	3500K, Bright White
4000	4000K, Cool White

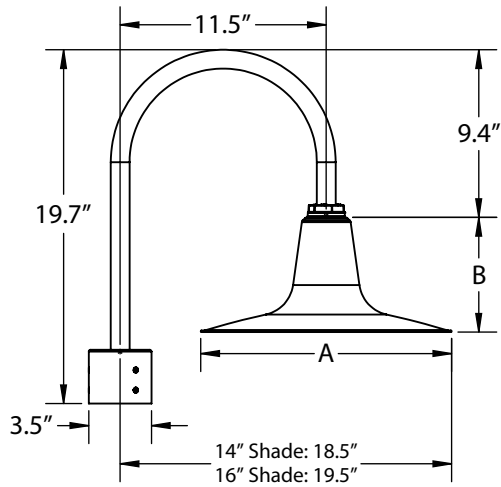
L - LED LENS⁷

NA	Not Applicable
DL	Domed Lens
FL	Flat Lens

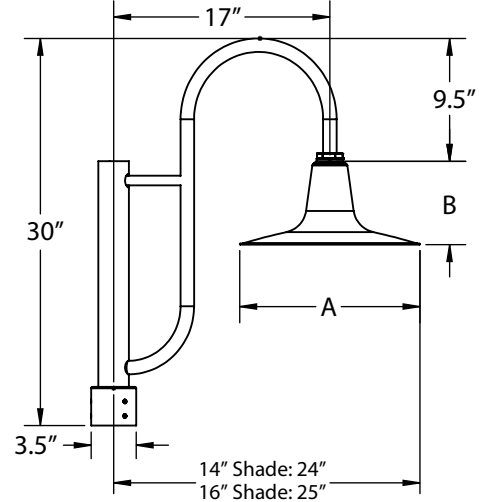
IMPORTANT: (1) All Powder Coat finished shades, with the exception of Galvanized, feature a white interior (2) All Porcelain Enamel finished shades feature a white interior and a black outer rim (3) Natural Finishes have a longer estimated lead time, please check the website for exact manufacturing time. There are no returns accepted on Natural Finishes. (4) Option not applicable if a Natural Finish is selected in Section C (5) Guard and Glass accessory reduces incandescent wattage to 100W Max, GU24 Bi-Pin to 18W Max and LED Max to 1600 Lumens (6) Fixtures configured with a GU24 socket are non-returnable (7) Select Light Source options not available with Guard and Glass Accessory (8) Option only applicable if LED11, LED16, LED16.8 Light Source selected in Section J, select NA if E26 or GU24 Light Source selected

DIMENSIONAL DRAWINGS

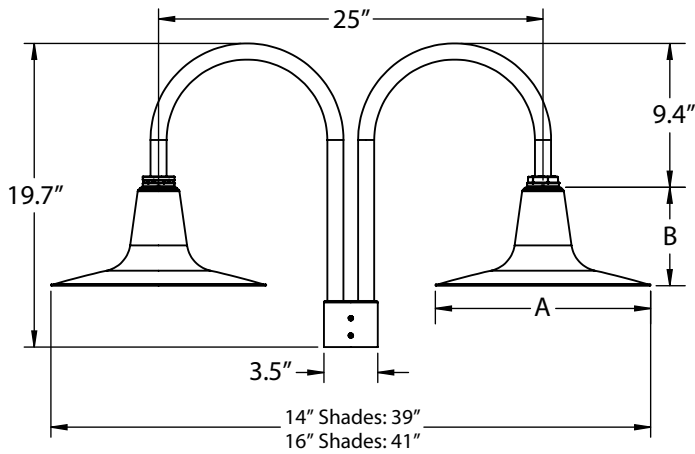
SINGLE POST (PMS)



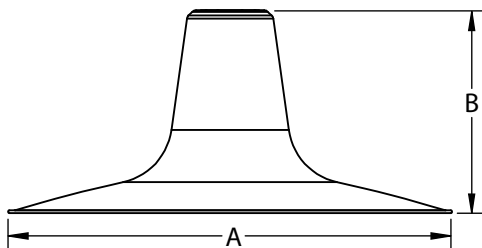
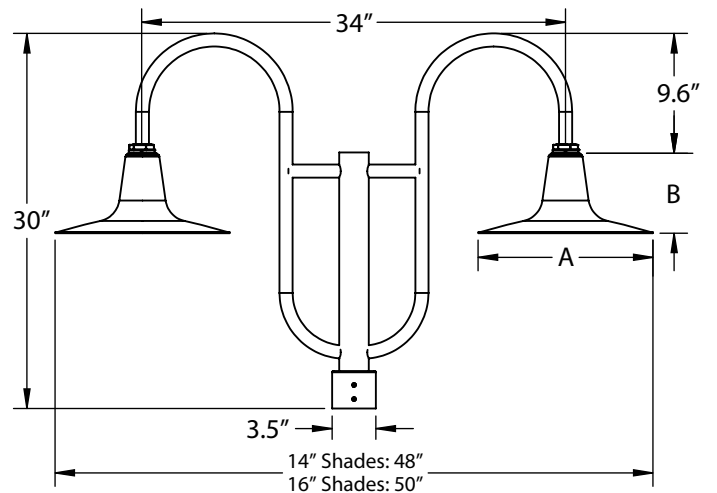
SINGLE DECORATIVE POST (PMSD)



DOUBLE POST (PMD)

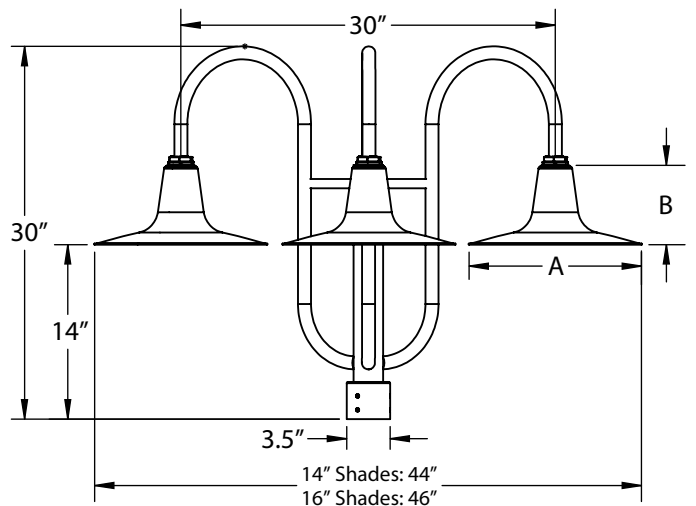


DOUBLE DECORATIVE POST (PMDD)



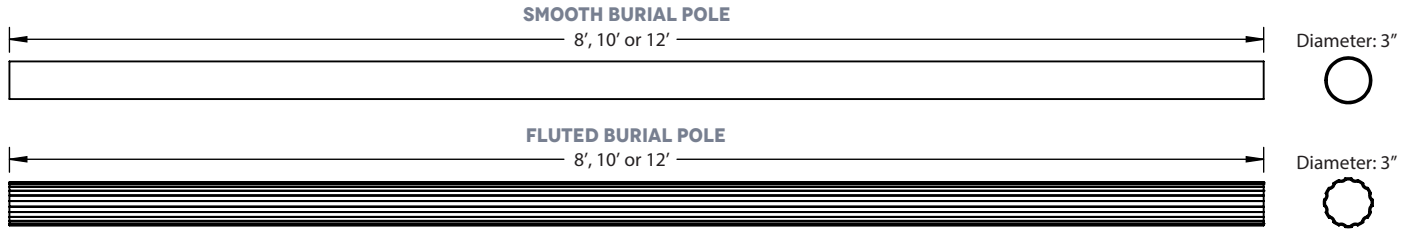
SHADE CODE	DIAMETER (A)	HEIGHT (B)
DCS14	14"	6.25"
DCS16	16"	7"

TRIPLE DECORATIVE POST (PMTD)



DIRECT BURIAL POLE

The optional Direct Burial Pole allows our Post Mounts to spread their unique style across an entire residential or commercial property. Two pole styles — smooth and fluted — are available.



LIGHT SOURCE

All published luminaire photometric testing performed to IESNA LM-79-08 standards by a NVLAP accredited laboratory. Data is considered to be representative of the configurations shown, within the tolerances allowed by Lighting Facts. To obtain an IES file specific to your project, please contact the factory.

OPTION	WATTAGE	LUMENS <small>*Avg. value, actual value dependent on bulb used</small>	CRI	VOLTAGE	DIMMING
LEDS					
LED11	11W	850	>90	120 VAC	TRIAC
LED16	16W	1250	>90	120 VAC	TRIAC
LED16.8	16W	1600	>90	120 VAC	TRIAC
LED27	27W	2000	>90	120-277 VAC	0-10V
LED38	38W	3000	>90	120-277 VAC	0-10V
LED43	43W	4000	>90	120-277 VAC	0-10V
INCANDESCENT (MED E26)					
E26	200W Max	*3000	*100	120 VAC	Bulb Dependant
COMPACT FLOURESCENT (GU24 CFL)					
GU24	23W Max	*1600	*75	120 VAC	Bulb Dependant

SPECIFICATIONS

CONSTRUCTION

DIRECT BURIAL POLE
Optional Smooth Pole (12 Gauge Galvanized Steel) or Fluted Pole (Schedule 40 Aluminum)

CERTIFICATIONS, LISTINGS & WARRANTY

MADE IN THE USA
Manufactured and Hand-Crafted in our 60,000 Square Foot Facility Located in Titusville, FL

CSA LISTED FOR WET LOCATIONS

LIMITED WARRANTY
For Additional Information on our Limited Warranty, Please See Our Terms & Conditions

SHADE & FINISH

SUMMIT SHADE
Hand-Spun from High Purity 0.050" Thick 3003-O Temper Aluminum

STERLING PORCELAIN SHADE
Hand-Spun from 20 Gauge Sheet Metal

POWDER COAT FINISHES
Polyester Powder Coat Finishes are Electro-Statically Applied and Thermocured

PORCELAIN FINISHES
Applied by Hand and Fired in a High Temperature Oven

SPECIFICATIONS (CONTINUED)

LED SPECIFICATIONS

LUMEN MAINTENANCE

L90(6K) > 36,300 Hours, LED16.8 Source is L90(11K) > 61,000 Hours.

COLOR TEMPERATURES

Standard Color Temperatures Available Include 2700K, 3000K, 3500K and 4000K. Custom Temperatures Available upon Request.

CRI

Minimum 90 CRI. Consult Factory for Other CRI Options

EFFICACY

Up to 100 LPW Based on Wattage/Lumens in the Table

DRIVER & DIMMING OPTION

850 and 1250 Lumen, Reliant on Triac Dimming 12W / 120V Mounted in Canopy, Dimming down to 5%.

2000, 3000 & 4000 Lumen Reliant on 0-10v Dimmer, Dimming down to 10%.

Requires Compatible Dimming Switch