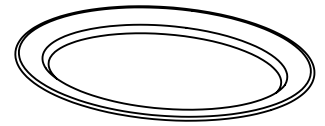




SPS-0293 REV A

ENAMELWARE PLATTER

JOB NAME: _____ FIXTURE TYPE: _____



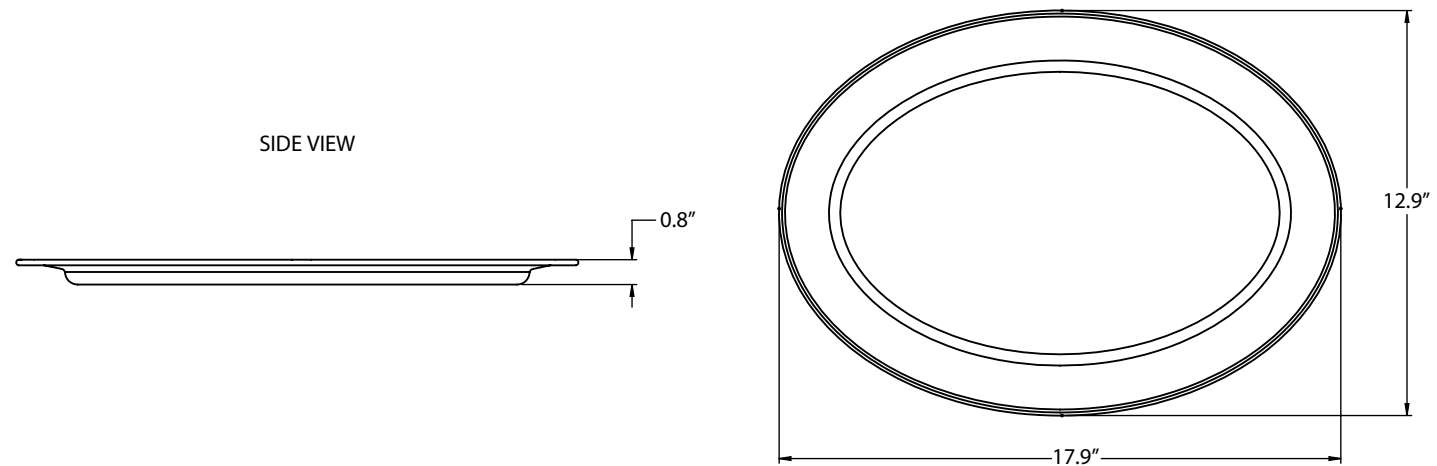
BLE - PLA - OVL - _____ - _____
A **B**

Order Example: BLE - PLA - OVL - 860 - 250

A - BOTTOM FINISH	B - TOP FINISH
<p><i>PORCELAIN FINISHES^{1,2}:</i></p> <p>150 Black 250 White 350 Vintage Green 355 Jadite 650 Bronze 750 Cobalt Blue 765 Delphite Blue 850 Graphite</p> <p><i>PORCELAIN GRANITEWARE FINISHES^{1,2}:</i></p> <p>365 Jadite with Black Speckles 760 Cobalt Blue with White Speckles 766 Delphite with White Speckles 860 Graphite with White Speckles</p>	<p><i>PORCELAIN FINISHES^{1,2}:</i></p> <p>150 Black 250 White 350 Vintage Green 355 Jadite 650 Bronze 750 Cobalt Blue 765 Delphite Blue 850 Graphite</p>

IMPORTANT: (1) Due to the handcrafted process of applying a porcelain finish, some irregularities and blemishes are common and contribute to the uniqueness of each platter. Please be mindful that no two platters will be exactly alike. (2) There are no returns accepted on this product

DIMENSIONAL DRAWINGS



SPECIFICATIONS

CERTIFICATIONS & WARRANTY	CERTIFICATIONS & WARRANTY (CONTINUED)
<p>MADE IN THE USA Manufactured and Hand-Crafted in Our 60,000 Square Foot Facility Located in Titusville, FL</p> <p>MADE TO ORDER All Dinnerware Is Specifically Made According to a Customer's Specifications and No Two Pieces Are Alike</p> <p>DISHWASHER SAFE While Dishwasher Safe, Barn Light Recommends Avoiding Harsh Detergents and Crowding in the Dishwasher</p> <p>OVEN SAFE All Dinnerware Is Oven Safe up to 450°F/232°C</p>	<p>PASSING RESULTS FOR THE FOLLOWING THIRD PARTY TESTS US FDA CPG 545.450 and CPG 545.400 Extractable Lead and Cadmium. California Proposition 65, Tableware and Safety Program, Leachable Lead and Cadmium. FDA 21 CFR 175.300, Resinous and Polymeric Coatings.</p>
<p>DESIGN & FINISHES</p>	
<p>CONSTRUCTION Made from 20 Gauge Pressed Steel Therefore Not Suitable for Microwave Use</p> <p>PORCELAIN FINISHES Applied by Hand and Fired in a High Temperature Oven</p>	