



BLE - HEXCOUPLER - _____ - _____
 A **B**

Order Example: BLE - HEXCOUPLER - SM-1/2 - 700

A - SIZE

- SM-1/2** Small 1/2" Coupler
- LG-1/2** Large 1/2" Coupler
- LG-3/4** Large 3/4" Coupler

B - HEX FINISH

POWDER COAT FINISHES:

- 100** Black
- 105** Textured Black
- 200** White
- 300** Dark Green
- 307** Emerald Green
- 311** Jadite
- 370** Mint
- 380** Chartreuse
- 390** Teal
- 400** Barn Red
- 420** Orange

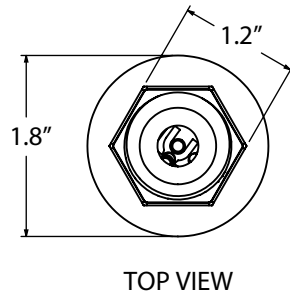
B - HEX FINISH (CONTINUED)

POWDER COAT FINISHES:

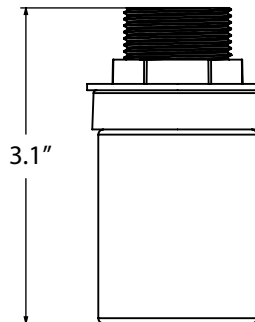
- 470** Watermelon
- 480** Blush Pink
- 490** Magenta
- 500** Buttery Yellow
- 570** Sunflower
- 600** Bronze
- 601** Chocolate
- 605** Rust
- 615** Oil-Rubbed Bronze
- 700** Royal Blue
- 705** Navy
- 710** Cobalt Blue
- 715** Delphite Blue
- 800** Industrial Grey
- 805** Charcoal Granite
- 810** Graphite
- 975** Galvanized

IMPORTANT:

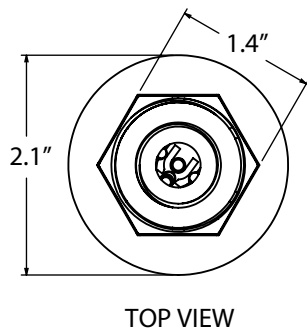
DIMENSIONAL DRAWINGS



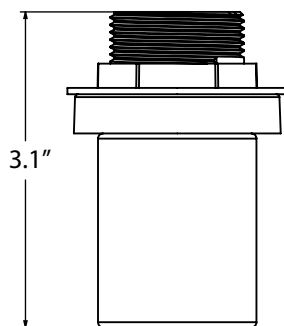
TOP VIEW



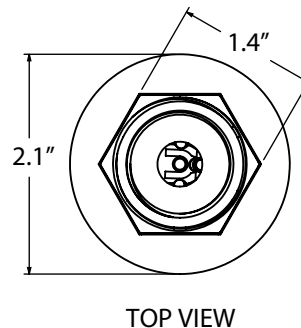
SMALL 1/2" COUPLER



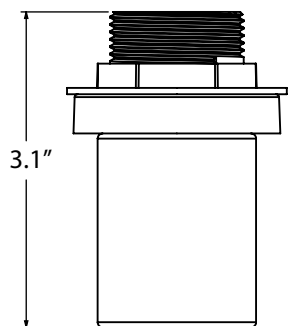
TOP VIEW



LARGE 1/2" COUPLER



TOP VIEW



LARGE 3/4" COUPLER

SPECIFICATIONS

LIGHT SOURCE

E26 MEDIUM BASE PORCELAIN SOCKET
200W Max

18AWG WIRE
7 Feet of Wire Included with Purchase

FINISHES & CONSTRUCTION

POWDER COAT FINISHES
Polyester Powder Coat Finishes are Electro-Statically Applied and Thermocured to Hex

ALUMINUM DIE CAST COUPLINGS

MADE IN THE USA
Manufactured and Hand-Crafted in Our 60,000 Square Foot Facility Located in Titusville, FL