



REV 10.02.18

ASHLAND/AVALON SERIES

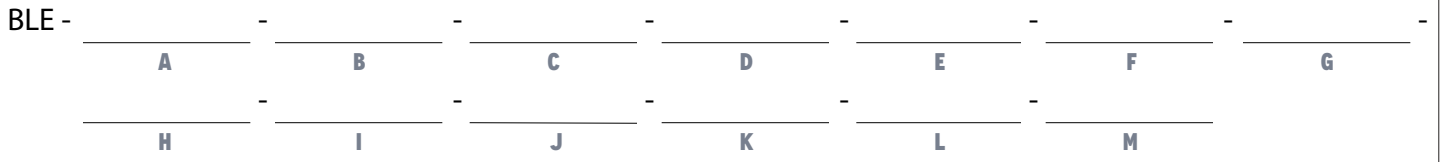
BARN LIGHT RLM FIXTURE FAMILY

Max Weight: 10.0 lbs

PROJECT NAME _____

PROJECT TYPE _____

SPS-0108



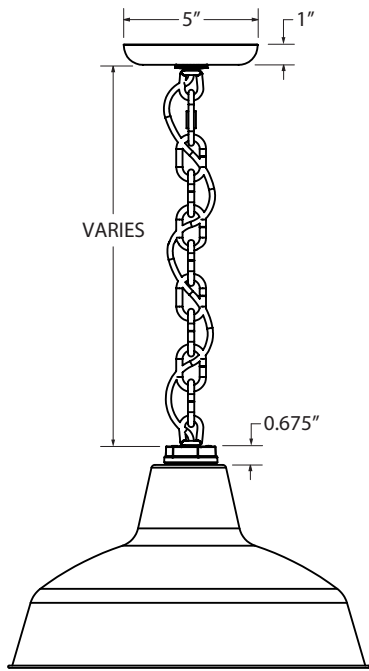
Order Example: BLE - G - WHA16 - 750 - G13 - 975 - CGG - FST - 750 - NA - E26 - NA - NA

A - MOUNTING STYLE	C - SHADE FINISH (CONTINUED)	D - MOUNTING (CONTINUED)	H - SHADE ACCESSORY FINISH
C Cord Hung CN Chain Hung F Flush Mount G Gooseneck S Stem Mount	PORCELAIN FINISHES⁴: 750 Cobalt Blue 765 Delphite Blue 850 Graphite 950 Metallic Chrome NATURAL FINISHES¹¹: 995 Raw Copper 996 Weathered Copper 997 Raw Brass 998 Weathered Brass 999 Oil-Rubbed Copper	GOOSENECK OPTIONS: G4¹⁶ G22¹⁶ G5¹ G24¹⁶ G6¹⁶ G25¹⁶ G7¹⁶ G26¹ G8¹⁶ G32¹⁶ G9¹⁶ G34^{1,16} G10¹⁶ G35¹ G11¹ G36^{1,16} G12¹ G40^{1,5,16} G13¹⁶ G64^{1,16} G14¹⁶ G65^{1,16} G15¹⁶	<i>Please Note: See Section C for Finish Options. Natural Finishes not applicable with Wire Cage or Guard. If Porcelain Finish is selected, accessory will be powder coat painted-to-match</i> NA Not Applicable I - GLASS OPTION¹⁶ NA Not Applicable CLR Clear Glass ^{6,12} FST Frosted Glass ⁶ RIB Ribbed Glass ⁶ CCR Clear Crackle Glass ⁶ SMK Smoke Crackle Glass ⁶ HCR Honey Crackle Glass ⁶
B - SHADE SIZE ASHLAND/AVALON: WHA8 8" Shade WHA10 10" Shade WHA12 12" Shade WHA14 14" Shade WHA16 16" Shade	D - MOUNTING	STEM MOUNT OPTIONS: ST506 .5" Stem Mount, 6" ¹ ST512 .5" Stem Mount, 12" ¹ ST518 .5" Stem Mount, 18" ¹ ST524 .5" Stem Mount, 24" ¹ ST536 .5" Stem Mount, 36" ¹ ST548 .5" Stem Mount, 48" ¹ ST706 .75" Stem Mount, 6" ¹⁵ ST712 .75" Stem Mount, 12" ¹⁵ ST718 .75" Stem Mount, 18" ¹⁵ ST724 .75" Stem Mount, 24" ¹⁵ ST736 .75" Stem Mount, 36" ¹⁵ ST748 .75" Stem Mount, 48" ¹⁵	J - MOUNTING ACCESSORY NA None/Not Applicable HSC Hang Straight Canopy ^{1,14} HDSMC Heavy Duty Stem Mount Canopy ^{1,5,14} HDBP Heavy Duty Backing Plate ^{1,5} DD Dusk-to-Dawn Photocell ⁵ DBPC Decorative Backing Plate Cover LDBPC LED Decorative Backing Plate Cover DCHX Decorative Backing Plate Cover & Hex Cover LDCHX LED Decorative Backing Plate Cover & Hex Cover
C - SHADE FINISH POWDER COAT FINISHES³: 100 Black 105 Textured Black 200 White 300 Dark Green 307 Emerald Green 311 Jadite 370 Mint 380 Chartreuse 390 Teal 400 Barn Red 420 Orange 470 Watermelon 480 Blush Pink 490 Magenta 500 Buttery Yellow 570 Sunflower 600 Bronze 601 Chocolate 605 Rust 615 Oil-Rubbed Bronze 700 Royal Blue 705 Navy 710 Cobalt Blue 715 Delphite Blue 800 Industrial Grey 805 Charcoal Granite 810 Graphite 975 Galvanized	CSA LISTED CORD OPTIONS: SBK Standard Black SWH Standard White CSB Black Cloth CSW White Cloth CSR Red Cloth CSBB Black & Brown Cloth CSRW Red & White Cloth CSGW Gold & White Cloth CSBG Black & Gold Cloth CSBW Black & White Cloth CSBP Black & Pink Cloth CSUW Blue & White Cloth	E - MOUNTING FINISH <i>Please Note: See Section C for Finish Options. 980-Brushed Aluminum is also available for Gooseneck and Stem mounting styles. If Porcelain Finish is selected, mounting will be powder coat painted-to-match.</i> (I) If Cord Hung [C] or Flush Mount [F] Mounting Style, selection identifies canopy finish (II) If Chain Hung [CN] Mounting Style, selection identifies chain and canopy finish (III) If Stem Mount [S] Mounting Style, selection identifies stem and canopy finish 980 Brushed Aluminum	K - LIGHT SOURCE E26 200 Watt Max ⁶ GU24 24 Bi-Pin, 23W Max ⁶ LED11 850 Lumen, 11W LED ⁷ LED16 1250 Lumen, 16W LED ⁷ LED16.8 1600 Lumen, 16W LED ^{6,15} LED27 2000 Lumen, 27W LED ^{7,15} LED38 3000 Lumen, 38W LED ^{7,15} LED43 4000 Lumen, 43W LED ^{7,15}
PORCELAIN FINISHES⁴: 150 Black 250 White 350 Vintage Green 355 Jadite 455 Cherry Red 550 Yellow 650 Bronze	NON-CSA LISTED CORD OPTIONS: CBK Black Cotton CMG Grey Cotton CRZ Red Chevron TBK Black Cotton Twist ⁵ TWH White Cotton Twist ⁵ TBR Brown Cotton Twist ⁵ TRD Red Cotton Twist ⁵ TPT Putty Cotton Twist ⁵ TBW Black & White Twist ⁵ TRW Red & White Twist ⁵ TBB Brown & Beige Twist ⁵ CHAIN MOUNT OPTIONS: CN36 3' of Chain ^{1,16} CN48 4' of Chain ^{1,16} CN60 5' of Chain ^{1,16} CN72 6' of Chain ^{1,16} FLUSH MOUNT OPTIONS: FM¹ GOOSENECK OPTIONS: G1¹ G16¹ G2^{1,16} G17¹⁶ G3¹ G19^{1,5,16}	F - CORDS¹⁰ NA Not Applicable <i>Please Note: See Section D for all applicable CSA Listed Cord Options. Non-CSA Listed Cord Options for Chain Hung Mounting Style limited to: Black Cotton [CBK], Red Chevron [CRZ] and Grey Cotton [CMG]</i>	L - COLOR TEMPERATURE⁸ NA Not Applicable 2700K 2700K, Warm White 3000K 3000K, Neutral White 3500K 3500K, Bright White 4000K 4000K, Cool White
IMPORTANT: (1) Not available in Natural Finishes (2) Not available in Porcelain Enamel (3) All Powder Coat finished shades, Galvanized excluded, feature a white interior (4) All Porcelain Enamel finished shades feature a white interior and a black outer rim (5) Not available in LED (6) Guard and Glass accessory reduces incandescent wattage to 100W Max, GU24 Bi-Pin to 18W Max and LED Max to 1600 Lumens (7) Not available with the Guard & Glass Accessory (8) Only applicable if an LED Light Source is selected in Section K, select NA if another light source is selected (9) Wire Cage not available with select size (10) Only applicable if Chain Hung Mounting Style selected in Section A, select NA if another Mounting Style is selected (11) Natural Finishes have a longer estimated manufacturing time, please check the website for exact lead time. There are no returns accepted on Natural Finishes (12) Not recommended if LED Light Source is selected in Section K (13) Not applicable if LED16.8 Light Source selected in Section K (14) Only applicable if Stem Mounting Style is selected in Section A (15) Not applicable if WHA8 or WHA10 is selected in Section B (16) Not applicable if WHA8 is selected in Section B	G - SHADE ACCESSORIES NA None WC Wire Cage ^{1,9} TGG Heavy Duty Guard ^{1,6,15} CGG Cast Guard ^{1,6,15} WGG Wire Guard ^{1,6,15}	M - LED LENS^{3,13} NA Not Applicable DL Domed Lens FL Flat Lens	

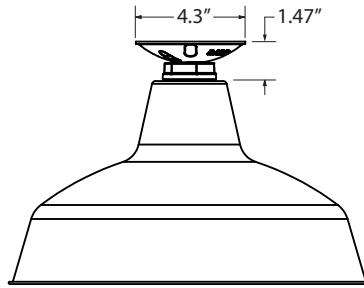
MOUNTING STYLE

Galvanized steel shades are crafted from 20 Ga Sheet metal while 1100-0 Aluminum—ranging from ranging from 0.050" to 0.125"—is used for all other shades. All shades have their edges rolled, and the result is highly durable and stylish lighting.

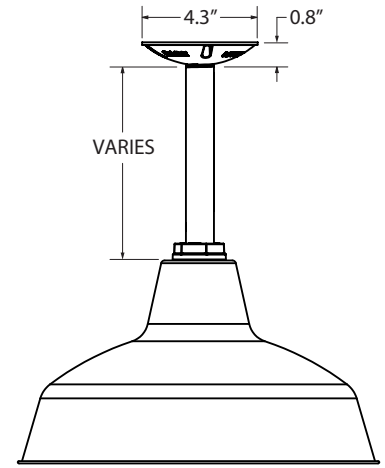
CHAIN HUNG PENDANT (CN)



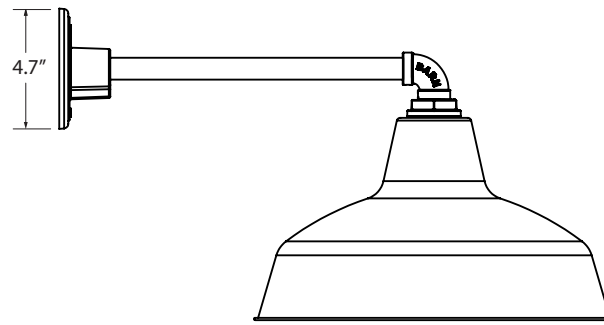
FLUSH MOUNT (F)



STEM MOUNT PENDANT (S)

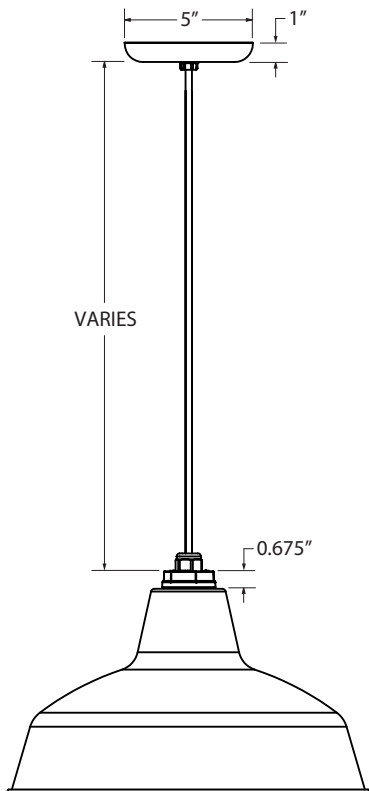


GOOSENECK (G)

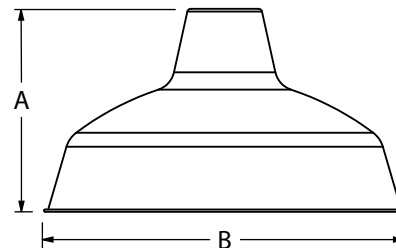


SHOWN WITH: G1 GOOSENECK ARM

CORD HUNG PENDANT (C)



AVAILABLE SHADE SIZES



SHADE CODE	HEIGHT (A)	DIAMETER (B)
WHA8	5.25"	8"
WHA10	6"	10"
WHA12	6.75"	12"
WHA14	7.75"	14"
WHA16	8.50"	16"

LIGHT SOURCE

All published luminaire photometric testing performed to IESNA LM-79-08 standards by a NVLAP accredited laboratory. Data is considered to be representative of the configurations shown, within the tolerances allowed by Lighting Facts. To obtain an IES file specific to your project, please contact the factory.

OPTION	WATTAGE	LUMENS <small>*Avg. value, actual value dependent on bulb used</small>	CRI	VOLTAGE	DIMMING
LEDS					
LED11	11W	850	>90	120 VAC	TRIAC
LED16	16W	1250	>90	120 VAC	TRIAC
LED16.8	16W	1600	>90	120 VAC	TRIAC
LED27	27W	2000	>90	120-277 VAC	0-10V
LED38	38W	3000	>90	120-277 VAC	0-10V
LED43	43W	4000	>90	120-277 VAC	0-10V
INCANDESCENT (MED E26)					
E26	200W Max	*3000	*100	120 VAC	Bulb Dependant
COMPACT FLOURESCENT (GU24 CFL)					
GU24	23W Max	*1600	*75	120 VAC	Bulb Dependant

SPECIFICATIONS

MOUNTING

STEM
1/2" Nominal (0.84" Actual) or 3/4" Nominal (1.05" Actual) Sch 40, 6063 Aluminum Mounting Stem. Custom Lengths Available upon Request.

GOOSENECK
1/2" Nominal (0.84" Actual) or 3/4" Nominal (1.05" Actual) Sch 40, 6063 Aluminum Gooseneck

CORD
Cord-hung Pendants Include 7' Of Standard Cord Or 5' Of Cotton Cord, +/- For Socket Orientation

SHADE & FINISHES

ASHLAND SHADE
Hand-Spun from High Purity 0.050" Thick 3003-O Temper Aluminum

AVALON PORCELAIN SHADE
Hand-Spun from 20 Guage Sheet Metal

POWDER COAT FINISHES
Polyester Powder Coat Finishes Are Electro-Statically Applied and Thermocured

PORCELAIN FINISHES
Applied by Hand and Fired in a High Temperature Oven

LED SPECIFICATIONS

LUMEN MAINTENANCE
L90(6K) > 36,300 Hours, LED16.8 Source is L90(11K) > 61,000 Hours.

COLOR TEMPERATURES
Standard Color Temperatures Available Include 2700K, 3000K, 3500K and 4000K. Custom Temperatures Available upon Request.

CRI
Minimum 90 CRI. Consult Factory for Other CRI Options.

EFFICACY
Up to 100 LPW Based on Wattage/Lumens in the Table

DRIVER & DIMMING OPTION
850 and 1250 Lumen, Reliant on Triac Dimming 12W / 120V Mounted in Canopy, up to 5% Dimming.
2000, 3000 & 4000 Lumen Reliant on 0-10V Dimmer, Generally up to 10% Dimming.
Requires Compatible Dimming Switch.

CERTIFICATIONS, LISTINGS & WARRANTY

MADE IN THE USA
Manufactured and Hand-Crafted in Our 60,000 Square Foot Facility Located in Titusville, FL

CSA LISTED FOR WET LOCATIONS
CSA Listed for Damp Locations Only If Plug-In Option Selected

CSA LISTED FOR DAMP LOCATIONS
Includes All Chain and Select Cord Hung Mounting Styles

LIMITED WARRANTY
For Additional Information on Our Limited Warranty, Please See Our Terms & Conditions