



BLE -	-	-	-	-	-	-	-	-	-
	A	B	C	D	E	F	G		
	H	I	J	K	L	M			

Order Example: BLE - C - DBW16 - 995 - CSBG - 995 - NA - WC - 100 - NA - NA - E26 - NA - NA

A - MOUNTING STYLE

- C** Cord Hung
- CN** Chain Hung
- F** Flush Mount
- G** Gooseneck
- S** Stem Mount

B - SHADE SIZE

WESCO/WILCOX:

- DBW8^{7,14}** **DBW14**
- DBW10^{7,14}** **DBW16²**
- DBW12** **DBW20²**

C - SHADE FINISH

POWDER COAT FINISHES³:

- 100** Black
- 105** Textured Black
- 200** White
- 300** Dark Green
- 307** Emerald Green
- 311** Jadeite
- 370** Mint
- 380** Chartreuse
- 390** Teal
- 400** Barn Red
- 420** Orange
- 470** Watermelon
- 480** Blush Pink
- 490** Magenta
- 500** Buttery Yellow
- 570** Sunflower
- 600** Bronze
- 601** Chocolate
- 605** Rust
- 615** Oil-Rubbed Bronze
- 700** Royal Blue
- 705** Navy
- 710** Cobalt Blue
- 715** Delphite Blue
- 800** Industrial Grey
- 805** Charcoal Granite
- 810** Graphite
- 975** Galvanized

PORCELAIN FINISHES⁴:

- 150** Black
- 250** White
- 350** Vintage Green
- 355** Jadeite
- 455** Cherry Red
- 550** Yellow
- 650** Bronze
- 750** Cobalt Blue

C - SHADE FINISH (CONTINUED)

PORCELAIN FINISHES⁴:

- 765** Delphite Blue
- 850** Graphite
- 950** Metallic Chrome

NATURAL FINISHES¹¹:

- 995** Raw Copper
- 996** Weathered Copper
- 997** Raw Brass
- 998** Weathered Brass
- 999** Oil-Rubbed Copper

D - MOUNTING

CSA LISTED CORD OPTIONS:

- SBK** Standard Black
- SWH** Standard White
- CSB** Black Cloth
- CSW** White Cloth
- CSR** Red Cloth
- CSBB** Black & Brown Cloth
- CSRW** Red & White Cloth
- CSGW** Gold & White Cloth
- CSBG** Black & Gold Cloth
- CSBW** Black & White Cloth
- CSBP** Black & Pink Cloth
- CSUW** Blue & White Cloth

NON-CSA LISTED CORD OPTIONS:

- CBK** Black Cotton
- CMG** Grey Cotton
- CRZ** Red Chevron
- TBK** Black Cotton Twist⁵
- TWH** White Cotton Twist⁵
- TBR** Brown Cotton Twist⁵
- TRD** Red Cotton Twist⁵
- TPT** Putty Cotton Twist⁵
- TBW** Black & White Twist⁵
- TRW** Red & White Twist⁵
- TBB** Brown & Beige Twist⁵

CHAIN MOUNT OPTIONS:

- CN36** 3' of Chain¹
- CN48** 4' of Chain¹
- CN60** 5' of Chain¹
- CN72** 6' of Chain¹

FLUSH MOUNT OPTIONS:

FM¹

GOOSENECK OPTIONS:

- G1¹** **G16¹**
- G2¹** **G17**
- G3¹** **G19^{1,5}**
- G4** **G22**

D - MOUNTING (CONTINUED)

GOOSENECK OPTIONS:

- G5¹** **G24**
- G6** **G25**
- G7** **G26¹**
- G8** **G32**
- G9** **G34¹**
- G10** **G35¹**
- G11¹** **G36¹**
- G12¹** **G40^{1,5}**
- G13** **G64¹**
- G14** **G65¹**
- G15**

STEM MOUNT OPTIONS:

- ST506** .5" Stem Mount, 6"¹
- ST512** .5" Stem Mount, 12"¹
- ST518** .5" Stem Mount, 18"¹
- ST524** .5" Stem Mount, 24"¹
- ST536** .5" Stem Mount, 36"¹
- ST548** .5" Stem Mount, 48"¹
- ST706** .75" Stem Mount, 6"
- ST712** .75" Stem Mount, 12"
- ST718** .75" Stem Mount, 18"
- ST724** .75" Stem Mount, 24"
- ST736** .75" Stem Mount, 36"
- ST748** .75" Stem Mount, 48"

E - MOUNTING FINISH

Please Note: See **Section C** for Finish Options. 980-Brushed Aluminum is also available for Gooseneck and Stem mounting styles. If Porcelain Finish is selected, mounting will be powder coat painted-to-match.

- 980** Brushed Aluminum

F - CORDS¹⁰

NA Not Applicable

Please Note: See **Section D** for all applicable CSA Listed Cord Options. Non-CSA Listed Cord Options for Chain Hung Mounting Style limited to: Black Cotton [CBK], Red Chevron [CRZ] and Grey Cotton [CMG]

G - SHADE ACCESSORIES

- NA** None
- WC** Wire Cage¹
- TGG** Heavy Duty Guard^{1,6}
- CGG** Cast Guard^{1,6}
- WGG** Wire Guard^{1,6}

H - SHADE ACCESSORY FINISH

Please Note: See **Section C** for Finish Options. Natural Finishes not applicable with Wire Cage or Guard. If Porcelain Finish is selected, accessory will be powder coat painted-to-match

NA Not Applicable

I - GLASS OPTION

- NA** Not Applicable
- CLR** Clear Glass^{6,12}
- FST** Frosted Glass⁶
- RIB** Ribbed Glass⁶
- CCR** Clear Crackle Glass⁶
- SMK** Smoke Crackle Glass⁶
- HCR** Honey Crackle Glass⁶

J - MOUNTING ACCESSORY

- NA** None/Not Applicable
- HSC** Hang Straight Canopy^{1,9}
- HDSMC** Heavy Duty Stem Mount Canopy^{1,5}
- HDBP** Heavy Duty Backing Plate^{1,5}
- DD** Dusk-to-Dawn Photocell⁵
- DBPC** Decorative Backing Plate Cover
- LDBPC** LED Decorative Backing Plate Cover
- DCHX** Decorative Backing Plate Cover & Hex Cover
- LDCHX** LED Decorative Backing Plate Cover & Hex Cover

K - LIGHT SOURCE

- E26** 200 Watt Max⁶
- GU24** 24 Bi-Pin, 23W Max⁶
- LED11** 850 Lumen, 11W LED⁷
- LED16** 1250 Lumen, 16W LED⁷
- LED16.8** 1600 Lumen, 16W LED⁶
- LED27** 2000 Lumen, 27W LED⁷
- LED38** 3000 Lumen, 38W LED⁷
- LED43** 4000 Lumen, 43W LED⁷

L - COLOR TEMPERATURE⁸

- NA** Not Applicable
- 2700K** 2700K, Warm White
- 3000K** 3000K, Neutral White
- 3500K** 3500K, Bright White
- 4000K** 4000K, Cool White

M - LED LENS^{3,13}

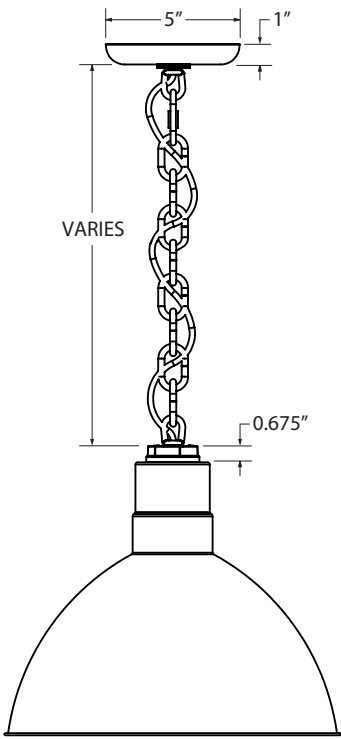
- NA** Not Applicable
- DL** Domed Lens
- FL** Flat Lens

IMPORTANT: (1) Not available in Natural Finishes (2) Not available in Brass (3) All Powder Coat finished shades, Galvanized excluded, feature a white interior (4) All Porcelain Enamel finished shades feature a white interior and a black outer rim (5) Not available in LED (6) Guard and Glass accessory reduces incandescent wattage to 100W Max, GU24 Bi-Pin to 18W Max and LED Max to 1600 Lumens (7) Not available with the Guard & Glass Accessory (8) Only applicable if an LED Light Source is selected in Section K, select NA if another light source is selected (9) Only applicable if Stem Mounting Style selected in Section A (10) Only applicable if Chain Hung Mounting Style selected in Section A, select NA if another Mounting Style is selected (11) Natural Finishes have a longer estimated manufacturing time, please check the website for exact lead time. There are no returns accepted on Natural Finishes (12) Not recommended if LED Light Source is selected in Section K (13) Not applicable if LED16.8 Light Source selected in Section K (14) If LED option chosen, only available with LED11 & LED16

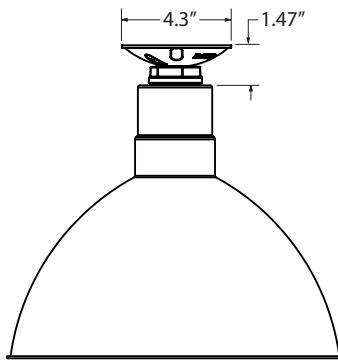
MOUNTING STYLE

Galvanized steel shades are crafted from 20 Ga Sheet metal while 1100-0 Aluminum—ranging from 0.050" to 0.125"—is used for all other shades. All shades have their edges rolled, and the result is highly durable and stylish lighting.

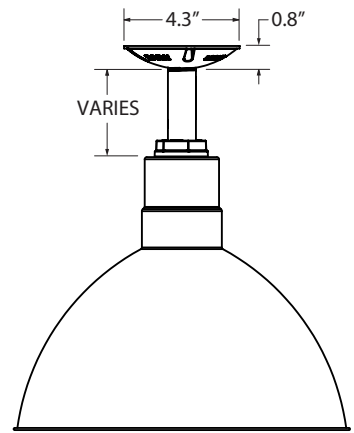
CHAIN HUNG PENDANT (CN)



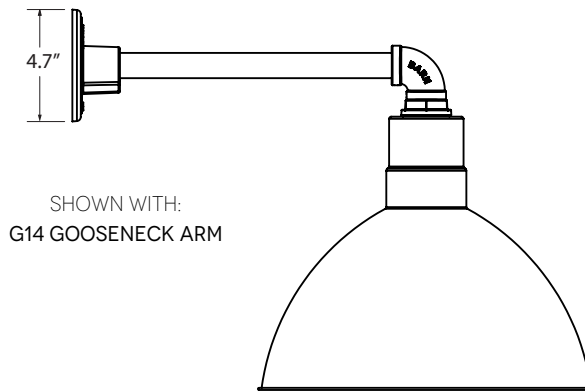
FLUSH MOUNT (F)



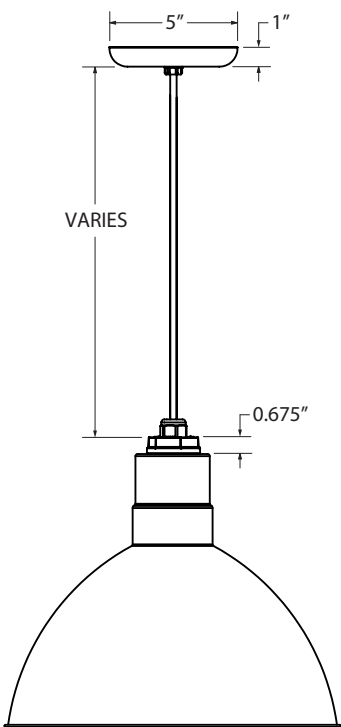
STEM MOUNT PENDANT (S)



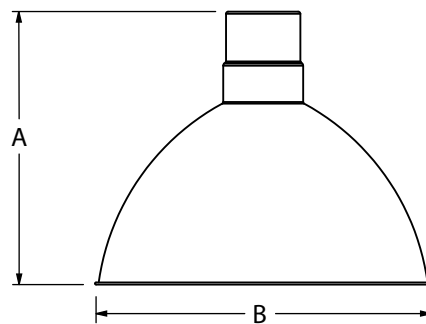
GOOSENECK (G)



CORD HUNG PENDANT (C)



AVAILABLE SHADE SIZES



SHADE CODE	HEIGHT (A)	DIAMETER (B)
DBW8	8.25"	8"
DBW10	9"	10"
DBW12	9.75"	12"
DBW14	11.25"	14"
DBW16	12.75"	16"
DBW20	16.25"	20.25"

LIGHT SOURCE

All published luminaire photometric testing performed to IESNA LM-79-08 standards by a NVLAP accredited laboratory. Data is considered to be representative of the configurations shown, within the tolerances allowed by Lighting Facts. To obtain an IES file specific to your project, please contact the factory.

OPTION	WATTAGE	LUMENS <small>*Avg. value, actual value dependent on bulb used</small>	CRI	VOLTAGE	DIMMING
LEDS					
LED11	11W	850	>90	120 VAC	TRIAC
LED16	16W	1250	>90	120 VAC	TRIAC
LED16.8	16W	1600	>90	120 VAC	TRIAC
LED27	27W	2000	>90	120-277 VAC	0-10V
LED38	38W	3000	>90	120-277 VAC	0-10V
LED43	43W	4000	>90	120-277 VAC	0-10V
INCANDESCENT (MED E26)					
E26	200W Max	*3000	*100	120 VAC	Bulb Dependant
COMPACT FLOURESCENT (GU24 CFL)					
GU24	23W Max	*1600	*75	120 VAC	Bulb Dependant

SPECIFICATIONS

MOUNTING

STEM
1/2" Nominal (0.84" Actual) or 3/4" Nominal (1.05" Actual) Sch 40, 6063 Aluminum Mounting Stem. Custom Lengths Available upon Request.

GOOSENECK
1/2" Nominal (0.84" Actual) or 3/4" Nominal (1.05" Actual) Sch 40, 6063 Aluminum Gooseneck

CORD
Cord-hung Pendants Include 7' Of Standard Cord Or 5' Of Cotton Cord, +/- For Socket Orientation

SHADE & FINISHES

WESCO DEEP BOWL SHADE:
Hand-Spun from High Purity 0.050" Thick 3003-O Temper Aluminum

WILCOX PORCELAIN SHADE:
Hand-Spun from 20 Guage Sheet Metal

POWDER COAT FINISHES:
Polyester Powder Coat Finishes Are Electro-Statically Applied and Thermocured

PORCELAIN FINISHES:
Applied by Hand and Fired in a High Temperature Oven

LED SPECIFICATIONS

LUMEN MAINTENANCE
L90(6K) > 36,300 Hours, LED16.8 Source is L90(11K) > 61,000 Hours.

COLOR TEMPERATURES
Standard Color Temperatures Available Include 2700K, 3000K, 3500K and 4000K. Custom Temperatures Available upon Request.

CRI
Minimum 90 CRI. Consult Factory for Other CRI Options.

EFFICACY
Up to 100 LPW Based on Wattage/Lumens in the Table

DRIVER & DIMMING OPTION
850 and 1250 Lumen, Relient on Triac Dimming 12W / 120V Mounted in Canopy, up to 5% Dimming.
2000, 3000 & 4000 Lumen Reliant on 0-10V Dimmer, Generally up to 10% Dimming.
Requires Compatible Dimming Switch.

CERTIFICATIONS, LISTINGS & WARRANTY

MADE IN THE USA
Manufactured and Hand-Crafted in Our 60,000 Square Foot Facility Located in Titusville, FL

CSA LISTED FOR WET LOCATIONS
Includes All Stem and Gooseneck Mounting Styles

CSA LISTED FOR DAMP LOCATIONS
Includes All Chain and Select Cord Hung Mounting Styles

LIMITED WARRANTY
For Additional Information on Our Limited Warranty, Please See Our Terms & Conditions