



REV 10.17.18

# THE CHESTNUT COLLECTION

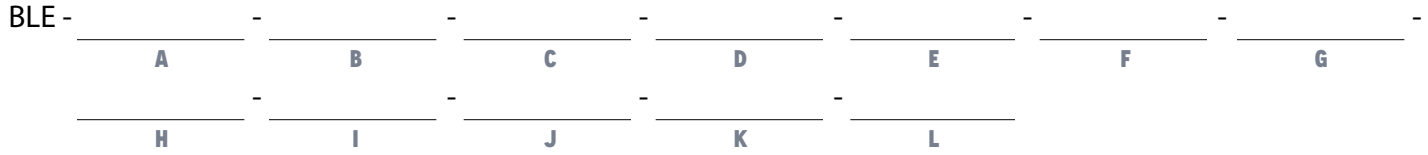
BARN LIGHT RLM FIXTURE FAMILY

Max Weight: 10.0 lbs

PROJECT NAME \_\_\_\_\_

PROJECT TYPE \_\_\_\_\_

SPS-0063



Order Example: BLE - C - CLAR14 - 200 - CSGW - 200 - WGG - 200 - CCR - NA - LED16.8 - 2700K - NA

### A - MOUNTING STYLE

- C** Cord Hung
- F** Flush Mount
- G** Gooseneck
- S** Stem Mount

### B - SHADE SIZE

#### THE CHESTNUT:

- CLAR8** 8" Shade<sup>1,3,14</sup>
- CLAR10** 10" Shade<sup>13,14</sup>
- CLAR12** 12" Shade
- CLAR14** 14" Shade
- CLAR16** 16" Shade

### C - SHADE FINISH

#### POWDER COAT FINISHES<sup>2</sup>:

- 100** Black
- 105** Textured Black
- 200** White
- 300** Dark Green
- 307** Emerald Green
- 311** Jadite
- 370** Mint
- 380** Chartreuse
- 390** Teal
- 400** Barn Red
- 420** Orange
- 470** Watermelon
- 480** Blush Pink
- 490** Magenta
- 500** Buttery Yellow
- 570** Sunflower
- 600** Bronze
- 601** Chocolate
- 605** Rust
- 615** Oil-Rubbed Bronze
- 700** Royal Blue
- 705** Navy
- 710** Cobalt Blue
- 715** Delphite Blue
- 800** Industrial Grey
- 805** Charcoal Granite
- 810** Graphite
- 975** Galvanized

### C - SHADE FINISH (CONTINUED)

#### NATURAL FINISHES<sup>15</sup>:

- 995** Raw Copper
- 996** Weathered Copper
- 997** Raw Brass
- 998** Weathered Brass
- 999** Oil-Rubbed Copper

### D - MOUNTING

#### CSA LISTED CORD OPTIONS:

- SBK** Standard Black
- SWH** Standard White
- CSB** Black Cloth
- CSW** White Cloth
- CSR** Red Cloth
- CSBB** Black & Brown Cloth
- CSRW** Red & White Cloth
- CSGW** Gold & White Cloth
- CSBG** Black & Gold Cloth
- CSBW** Black & White Cloth
- CSBP** Black & Pink Cloth
- CSUW** Blue & White Cloth

#### NON-CSA LISTED CORD OPTIONS:

- CBK** Black Cotton
- CMG** Grey Cotton
- CRZ** Red Chevron
- TBK** Black Cotton Twist<sup>1</sup>
- TWH** White Cotton Twist<sup>1</sup>
- TBR** Brown Cotton Twist<sup>1</sup>
- TRD** Red Cotton Twist<sup>1</sup>
- TPT** Putty Cotton Twist<sup>1</sup>
- TBW** Black & White Twist<sup>1</sup>
- TRW** Red & White Twist<sup>1</sup>
- TBB** Brown & Beige Twist<sup>1</sup>

#### FLUSH MOUNT OPTIONS:

**FM**

#### GOOSENECK OPTIONS:

- G1<sup>14</sup>** **G16<sup>14</sup>**
- G2<sup>3,14</sup>** **G17<sup>3</sup>**
- G3<sup>14</sup>** **G19<sup>1,3,14</sup>**
- G4<sup>3</sup>** **G22<sup>3</sup>**
- G5<sup>3,14</sup>** **G24<sup>3</sup>**
- G6<sup>3</sup>** **G25<sup>3</sup>**
- G7<sup>3</sup>** **G26<sup>14</sup>**

### D - MOUNTING (CONTINUED)

#### GOOSENECK OPTIONS:

- G8<sup>3</sup>** **G32<sup>3</sup>**
- G9<sup>3</sup>** **G34<sup>14</sup>**
- G10<sup>3</sup>** **G35<sup>14</sup>**
- G11<sup>14</sup>** **G36<sup>3,14</sup>**
- G12<sup>14</sup>** **G40<sup>1,3,14</sup>**
- G13<sup>3</sup>** **G64<sup>1,3,14</sup>**
- G14<sup>3</sup>** **G65<sup>1,3,14</sup>**
- G15<sup>3</sup>**

#### STEM MOUNT OPTIONS:

- ST506** .5" Stem Mount, 6"<sup>14</sup>
- ST512** .5" Stem Mount, 12"<sup>14</sup>
- ST518** .5" Stem Mount, 18"<sup>14</sup>
- ST524** .5" Stem Mount, 24"<sup>14</sup>
- ST536** .5" Stem Mount, 36"<sup>14</sup>
- ST548** .5" Stem Mount, 48"<sup>14</sup>
- ST706** .75" Stem Mount, 6"<sup>3</sup>
- ST712** .75" Stem Mount, 12"<sup>3</sup>
- ST718** .75" Stem Mount, 18"<sup>3</sup>
- ST724** .75" Stem Mount, 24"<sup>3</sup>
- ST736** .75" Stem Mount, 36"<sup>3</sup>
- ST748** .75" Stem Mount, 48"<sup>3</sup>

### E - MOUNTING FINISH

Please Note: See **Section C** for Finish Options. 980-Brushed Aluminum also available for Gooseneck and Stem mounting styles.

(I) If Cord Hung [C] or Flush Mount [F] Mounting Style, selection identifies canopy finish

(II) If Gooseneck [G] Mounting Style, selection identifies backing plate and gooseneck arm finish

(III) If Stem Mount [S] Mounting Style, selection identifies stem and canopy finish

- 980** Brushed Aluminum

### F - SHADE ACCESSORIES

- NA** None
- TGG** Heavy Duty Guard<sup>5,6,14</sup>
- CGG** Cast Guard<sup>5,6,14</sup>
- WGG** Wire Guard<sup>5,6,14</sup>

### G - SHADE ACCESSORY FINISH

Please Note: Selection only applicable if accessory is selected in Section F, select NA if no accessory selected. See **Section C** for all Finish Options.

- NA** Not Applicable

### H - GLASS OPTION

- NA** Not Applicable
- CLR** Clear Glass<sup>4,5,6</sup>
- FST** Frosted Glass<sup>5,6</sup>
- RIB** Ribbed Glass<sup>5,6</sup>
- CCR** Clear Crackle Glass<sup>5,6</sup>
- SMK** Smoke Crackle Glass<sup>5,6</sup>
- HCR** Honey Crackle Glass<sup>5,6</sup>

### I - MOUNTING ACCESSORY

- NA** None/Not Applicable
- HSC** Hang Straight Canopy<sup>7,14</sup>
- HDSMC** Heavy Duty Stem Mount Canopy<sup>1,7,14</sup>
- HDBP** Heavy Duty Backing Plate<sup>1,8,14</sup>
- DD** Dusk-to-Dawn Photocell<sup>1,8</sup>
- DBPC** Decorative Backing Plate Cover<sup>1,8</sup>
- LDBPC** LED Decorative Backing Plate Cover<sup>8</sup>

### J - LIGHT SOURCE

- E26** 200 Watt Max<sup>5</sup>
- GU24** 24 Bi-Pin, 23W Max<sup>5</sup>
- LED11** 850 Lumen, 11W LED<sup>9</sup>
- LED16** 1250 Lumen, 16W LED<sup>9</sup>
- LED16.8** 1600 Lumen, 16W LED<sup>5</sup>

### K - COLOR TEMPERATURE<sup>11</sup>

- NA** Not Applicable
- 2700K** 2700K, Warm White
- 3000K** 3000K, Neutral White
- 3500K** 3500K, Bright White
- 4000K** 4000K, Cool White

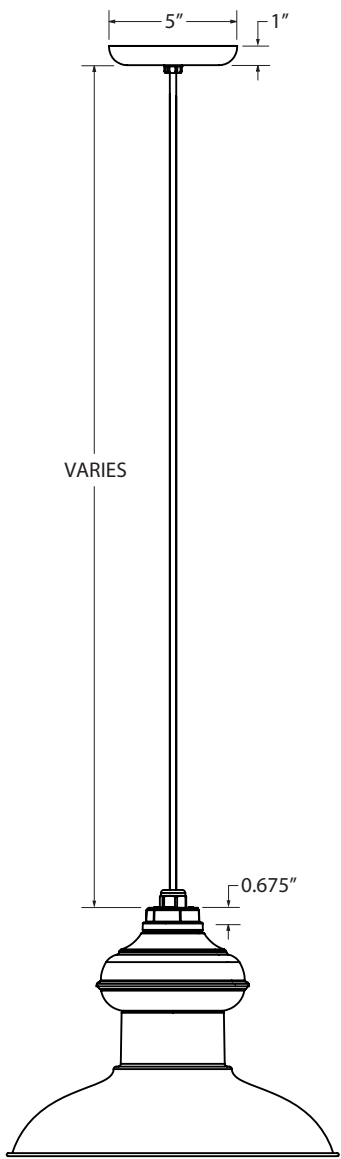
### L - LED LENS<sup>11,12</sup>

- NA** Not Applicable
- DL** Domed Lens
- FL** Flat Lens

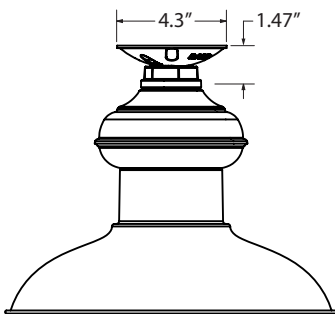
**IMPORTANT:** (1) Selection not available if LED11 or LED16 Light Source selected in Section J (2) All Powder Coat finished shades, Galvanized excluded, feature a white interior (3) Mounting option not available if CLAR8 or CLAR10 shade size is selected in Section B (4) Clear Glass not recommended if LED16.8 Light Source selected in Section J (5) Guard and Glass accessory reduces incandescent wattage to 100W Max, GU24 Bi-Pin to 18W Max and LED Max to 1600 Lumens (6) Guard and Glass accessory not applicable if CLAR8 is selected in Section B (7) Selection only applicable if Stem Mount is selected in Section A (8) Selection only applicable if Gooseneck is selected in Section A (9) Light source selection not applicable if Guard and Glass accessory selected (10) Fixtures configured with GU24 socket are non-returnable (11) Selection only applicable if LED Light Source selected in Section J, select NA if E26 or GU24 source selected (12) Not applicable if LED16.8 Light Source selected in Section J (13) CLAR8 and CLAR10 not available if LED16.8 Light Source selected in Section J (14) Not available in Natural Finishes (15) Natural Finishes have a longer estimated manufacturing time, please check the website for exact lead time. There are no returns accepted on Natural Finishes

**MOUNTING STYLE**

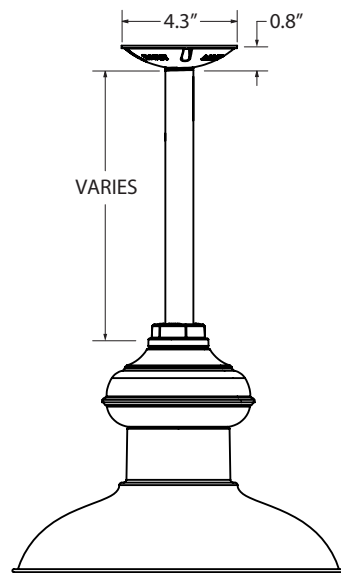
**CORD HUNG PENDANT (C)**



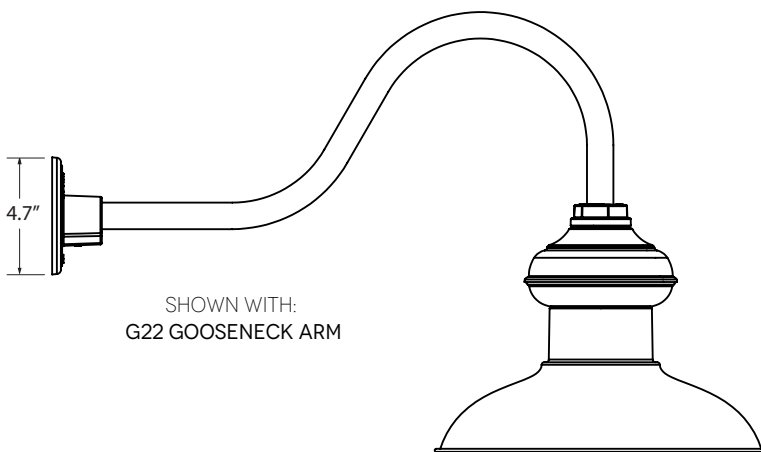
**FLUSH MOUNT (F)**



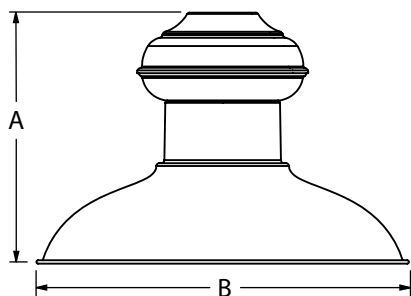
**STEM MOUNT PENDANT (S)**



**GOOSENECK (G)**



**AVAILABLE SHADE SIZES**



SHADE CODE	HEIGHT (A)	DIAMETER (B)
CLAR8	5.7"	8"
CLAR10	6.7"	10"
CLAR12	8"	12"
CLAR14	9.3"	14"
CLAR16	10"	16"

**LIGHT SOURCE**

All published luminaire photometric testing performed to IESNA LM-79-08 standards by a NVLAP accredited laboratory. Data is considered to be representative of the configurations shown, within the tolerances allowed by Lighting Facts. To obtain an IES file specific to your project, please contact the factory.

OPTION	WATTAGE	LUMENS <small>*Avg. value, actual value dependent on bulb used</small>	CRI	VOLTAGE	DIMMING
<b>LEDS</b>					
LED11	11W	850	>90	120 VAC	TRIAC
LED16	16W	1250	>90	120 VAC	TRIAC
LED16.8	16W	1600	>90	120 VAC	TRIAC
<b>INCANDESCENT (MED E26)</b>					
E26	200W Max	*3000	*100	120 VAC	Bulb Dependant
<b>COMPACT FLOURESCENT (GU24 CFL)</b>					
GU24	23W Max	*1600	*75	120 VAC	Bulb Dependant

**SPECIFICATIONS**

**MOUNTING**

**STEM**  
1/2" Nominal (0.84" Actual) or 3/4" Nominal (1.05" Actual) Sch 40, 6063 Aluminum Mounting Stem. Custom Lengths Available upon Request.

**GOOSENECK**  
1/2" Nominal (0.84" Actual) or 3/4" Nominal (1.05" Actual) Sch 40, 6063 Aluminum Gooseneck

**CORD**  
Cord-hung Pendants Include 7' Of Standard Cord Or 5' Of Cotton Cord, +/- For Socket Orientation

**SHADE & FINISHES**

**THE CHESTNUT SHADE**  
Hand-Spun from High Purity 0.050" Thick 3003-O Temper Aluminum

**POWDER COAT FINISHES**  
Polyester Powder Coat Finishes Are Electro-Statically Applied and Thermocured

**CERTIFICATIONS, LISTINGS & WARRANTY**

**MADE IN THE USA**  
Manufactured and Hand-Crafted in Our 60,000 Square Foot Facility Located in Titusville, FL

**CSA LISTED FOR WET LOCATIONS**  
Includes Flush, Stem and Gooseneck Mounting Styles

**CSA LISTED FOR DAMP LOCATIONS**  
Includes Select Cord Hung Mounting Styles

**CSA LISTED FOR DRY LOCATIONS**  
Includes Select Cord Hung Mounting Styles

**LIMITED WARRANTY**  
For Additional Information on Our Limited Warranty, Please See Our Terms & Conditions

**LED SPECIFICATIONS**

**LUMEN MAINTENANCE**  
L90(6K) > 36,300 Hours, LED16.8 Source is L90(11K) > 61,000 Hours.

**COLOR TEMPERATURES**  
Standard Color Temperatures Available Include 2700K, 3000K, 3500K and 4000K. Custom Temperatures Available upon Request.

**CRI**  
Minimum 90 CRI. Consult Factory for Other CRI Options.

**EFFICACY**  
Up to 100 LPW Based on Wattage/Lumens in the Table

**DRIVER & DIMMING OPTION**  
850 and 1250 Lumen, Reliant on Triac Dimming 12W / 120V Mounted in Canopy, up to 5% Dimming.  
2000, 3000 & 4000 Lumen Reliant on 0-10V Dimmer, Generally up to 10% Dimming.  
Requires Compatible Dimming Switch.