



Order Example: BLE - G - MIL16 - 750 - 750 - G22 - 980 - NA - NA - HCR - TGG - 975 - CBL - LED70 - 5000K

A - MOUNTING STYLE

- C-STU** Cord and Studio Cable
- CN** Chain Hung
- S** Stem Mount
- G** Gooseneck

B - SHADE SIZE

- MIL12** 12" Diameter
- MIL14** 14" Diameter
- MIL16** 16" Diameter

C - FINISHES

PORCELAIN FINISHES:

- 150** Black
- 250** White
- 350** Vintage Green
- 355** Jadite
- 455** Cherry Red
- 550** Yellow
- 650** Bronze
- 750** Cobalt Blue
- 765** Delphite Blue
- 850** Graphite
- 950** Metallic Chrome

POWDER COAT FINISHES:

- 100** Black
- 105** Textured Black
- 200** White
- 300** Dark Green
- 307** Emerald Green
- 370** Mint
- 380** Chartreuse
- 390** Teal
- 400** Barn Red
- 420** Orange
- 470** Watermelon
- 480** Blush Pink
- 490** Magenta
- 500** Buttery Yellow
- 570** Sunflower
- 600** Bronze
- 601** Chocolate
- 605** Rust
- 615** Oil-Rubbed Bronze
- 700** Royal Blue
- 705** Navy
- 800** Industrial Grey
- 805** Charcoal Granite
- 975** Galvanized
- 980** Brushed Aluminum

C - FINISHES (CONTINUED)

NATURAL FINISHES:

- 995** Raw Copper
- 996** Weathered Copper
- 997** Raw Brass
- 998** Weathered Brass
- 999** Oil-Rubbed Copper

D - HEAT SINK FINISH¹

Please Note: See Section C for all Finish Options, Natural Finishes not applicable for heat sink. If porcelain finish is selected, heat sink will be powder coat painted-to-match

E - MOUNTING

CSA LISTED CORD OPTIONS:

- SBK** Standard Black²
- SWH** Standard White²
- CSB** Black Cloth²
- CSW** White Cloth²
- CSR** Red Cloth²
- CSBW** Black & White Cloth²
- CSRW** Red & White Cloth²
- CSBG** Black & Gold Cloth²
- CSBP** Black & Pink Cloth²
- CSGW** Gold & White Cloth²
- CSUW** Blue & White Cloth²
- CSBB** Black & Brown Cloth²

NON-CSA LISTED CORD OPTIONS:

- CBK** Black Cotton²
- CRZ** Red Chevron²
- CMG** Grey Cotton²
- TBW** Black & White Twist²
- TBK** Black Cotton Twist²
- TWH** White Cotton Twist²
- TRW** Red & White Twist²
- TBR** Brown Cotton Twist²
- TBB** Brown & Beige Twist²
- TRD** Red Cotton Twist²
- TPT** Putty Cotton Twist²

CHAIN MOUNT OPTIONS:

- CN36** 3' of Chain
- CN48** 4' of Chain
- CN60** 5' of Chain
- CN72** 6' of Chain

E - MOUNTING (CONTINUED)

STEM MOUNT OPTIONS:

- ST506** .5" Stem Mount, 6"⁷
- ST512** .5" Stem Mount, 12"⁷
- ST518** .5" Stem Mount, 18"⁷
- ST524** .5" Stem Mount, 24"⁷
- ST536** .5" Stem Mount, 36"⁷
- ST548** .5" Stem Mount, 48"⁷
- ST706** .75" Stem Mount, 6"
- ST712** .75" Stem Mount, 12"
- ST718** .75" Stem Mount, 18"
- ST724** .75" Stem Mount, 24"
- ST736** .75" Stem Mount, 36"
- ST748** .75" Stem Mount, 48"

GOOSENECK OPTIONS:

- G1⁷** **G19**
- G3⁷** **G22**
- G4** **G24**
- G8** **G26⁷**
- G11⁷** **G32**
- G12⁷** **G34**
- G13** **G35⁷**
- G14** **G36**
- G15** **G40**
- G16⁷** **G64**
- G17** **G65**

F - MOUNTING FINISH¹

Please Note: See Section C for all Finish Options, Natural Finishes not applicable for mounting. If porcelain finish is selected, mounting will be powder coat painted-to-match

G - CORDS⁵

- NA** Not Applicable

Please Note: See Section E for all applicable CSA Listed Cord Options. Non-CSA Listed Cord Options for Chain Hung Mounting Style limited to: Black Cotton [CBK], Red Chevron [CRZ] and Grey Cotton [CMG]

H - CORD LENGTH⁶

- NA** Not Applicable
- 18** 18" Cord
- 24** 24" Cord
- 36** 36" Cord
- 42** 42" Cord

I - GLASS

- CLR** Clear Glass
- FST** Frosted Glass
- RIB** Ribbed Glass
- CCR** Clear Crackle Glass³
- SMK** Smoke Crackle Glass³
- HCR** Honey Crackle Glass³

J - OPTIONAL GUARD/CAGE

- NA** Not Applicable/None
- CGG** Standard Cast Guard
- WGG** Wire Guard
- TGG** Heavy Duty Cast Guard
- WC** Wire Cage

K - GUARD/CAGE FINISH¹

Please Note: See Section C for all Finish Options, Natural Finishes not applicable for guard. If porcelain finish is selected, guard will be powder coat painted-to-match

L - OPTIONAL SUPPORT CABLE

- NA** Not Applicable/None
- CBL** Support Cable^{4,7}

M - LIGHT SOURCE

- LED42** 42W LED
- LED48** 48W LED
- LED57** 57W LED
- LED62** 62W LED
- LED70** 70W LED

Please reference table on Page 3 for lumen values of all light source options

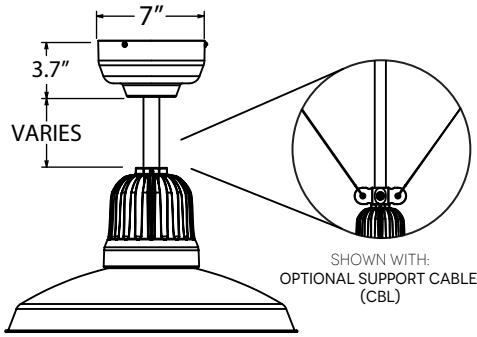
N - COLOR TEMPERATURE

- 2700K** 2700K, Warm White
- 3000K** 3000K, Neutral White
- 3500K** 3500K, Bright White
- 4000K** 4000K, Cool White
- 5000K** 5000K, Daylight

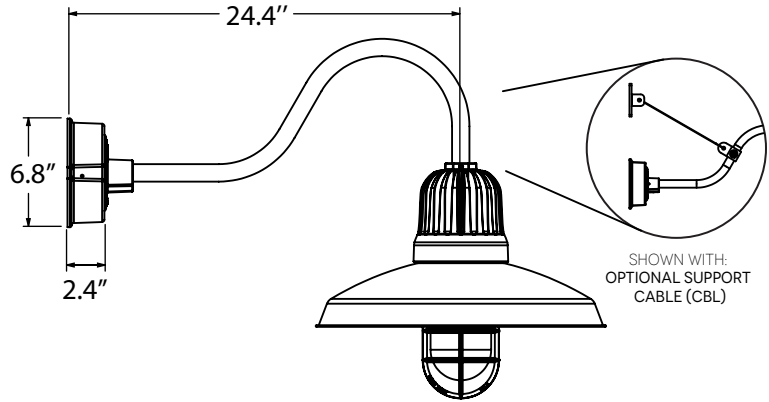
IMPORTANT: (1) Not available in Natural Finishes (2) Cord options are complete with a supportive studio cable, please refer to drawing on page 2 (3) Glass styles will change CCT, please consult factory for additional details (4) Only applicable if Stem Mount or Gooseneck is selected in Section A, select NA if another mounting style is selected (5) Only applicable if Chain Hung Mounting Style selected in Section A, select NA if another Mounting Style is selected (6) Only applicable if Cord and Studio Cable Mounting Style selected in Section A, select NA if another Mounting Style is selected (7) Support Cable not applicable with select Stem Mount or Gooseneck selections

MOUNTING STYLE

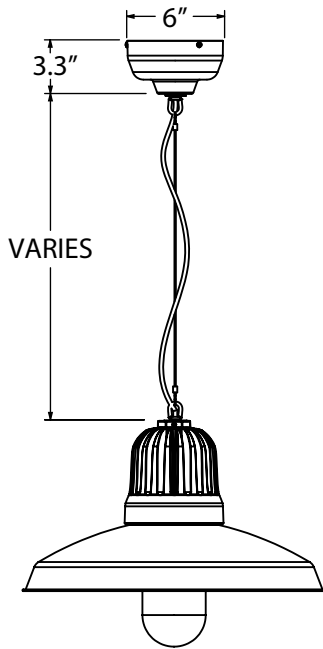
STEM MOUNT PENDANT (S)



GOOSENECK (G)

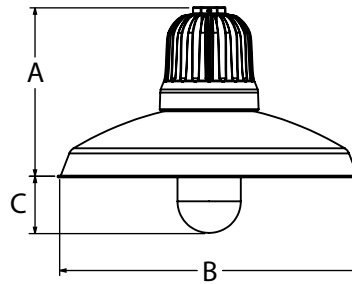


CORD HUNG PENDANT (C)

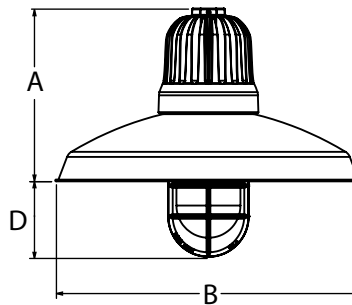


SHOWN WITH: G22 GOOSENECK ARM

AVAILABLE SHADE SIZES

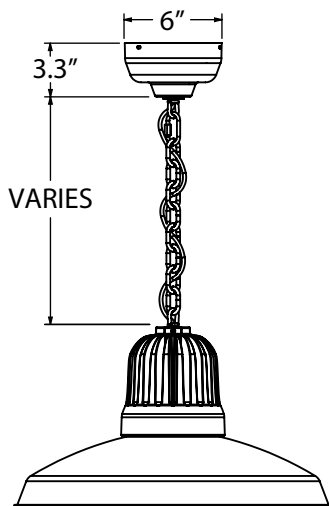


SHOWN WITH: GLASS ONLY (CLR, FST, RIB, CCR, SMK OR HCR)



SHOWN WITH: OPTIONAL GUARD (WGG, CGG OR TGG) & GLASS

CHAIN HUNG PENDANT (CN)



SHADE CODE	HEIGHT (A)	DIAMETER (B)	LENGTH BELOW SHADE	
			(C)	(D)
MIL12	7.4"	12"	4.4"	5.4"
MIL14	8.4"	14"	3.7"	4.7"
MIL16	8.9"	16"	3"	4"

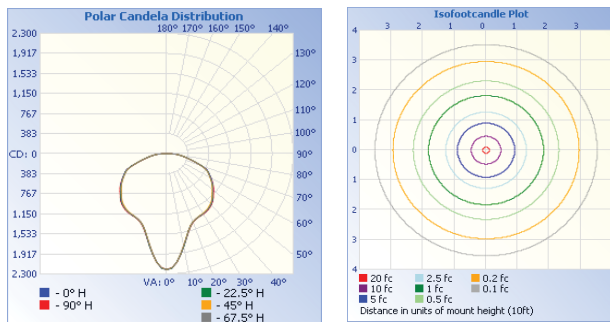
LIGHT SOURCE

All published luminaire photometric testing performed to IESNA LM-79-08 standards by a NVLAP accredited laboratory. Data is considered to be representative of the configurations shown, within the tolerances allowed by Lighting Facts. To obtain an IES file specific to your project, please contact the factory.

LED	Drive Current	System Watts	CRI	2700K		3000K		3500K		4000K		5000K		
				Cage Guard	90CRI		90CRI		90CRI		90CRI		90CRI	
					Lumens	LPW	Lumens	LPW	Lumens	LPW	Lumens	LPW	Lumens	LPW
LED42	1.0A	42	NA	2793	67	3002	71	3212	76	3212	76	3212	76	
			WGG-200	2628	63	2825	67	3023	72	3023	72	3023	72	
			CGG-200	2469	59	2654	63	2840	68	2840	68	2840	68	
LED48	1.2A	48	NA	3147	66	3384	71	3620	75	3620	75	3620	75	
			WGG-200	2962	62	3184	66	3407	71	3407	71	3407	71	
			CGG-200	2782	58	2991	62	3200	67	3200	67	3200	67	
LED57	1.4A	57	NA	3592	63	3861	68	4131	72	4131	72	4131	72	
			WGG-200	3380	59	3634	64	3887	68	3887	68	3887	68	
			CGG-200	3182	56	3421	60	3660	64	3660	64	3660	64	
LED62	1.6A	62	NA	4018	65	4320	70	4621	75	4621	75	4621	75	
			WGG-200	3781	61	4065	66	4349	70	4349	70	4349	70	
			CGG-200	3552	57	3819	62	4085	66	4085	66	4085	66	
LED70	1.75A	70	NA	4300	61	4623	66	4946	71	4946	71	4946	71	
			WGG-200	4047	58	4351	62	4653	66	4654	66	4654	66	
			CGG-200	3802	54	4087	58	4373	62	4373	62	4373	62	

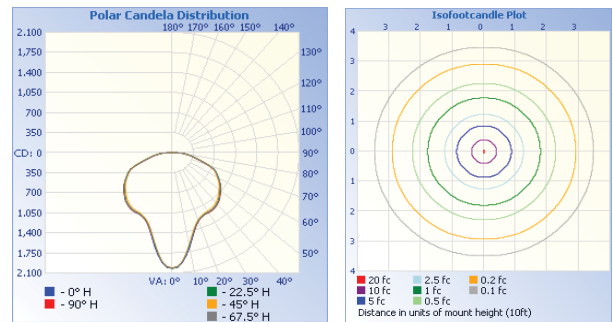
LIGHT DISTRIBUTION

NO GUARD (NA)



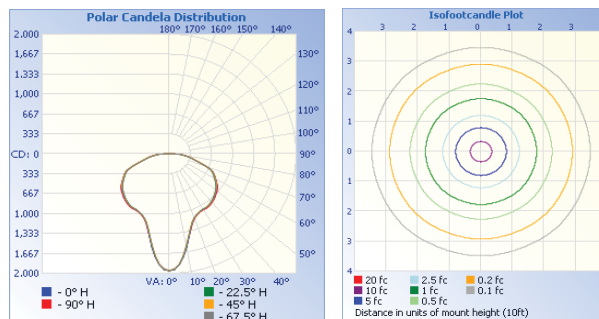
SHOWN ABOVE: THE KEEPER/GOALIE 20° SHADE LED70, 3000K

WIRE GUARD (WGG)



SHOWN ABOVE: THE KEEPER/GOALIE 20° SHADE LED70, 3000K

STANDARD CAST GUARD (CGG)



SHOWN ABOVE: THE KEEPER/GOALIE 20° SHADE LED70, 3000K

SPECIFICATIONS

CERTIFICATIONS

CSA LISTED (US AND CANADA)
 SUITABLE FOR INDOOR OR OUTDOOR USE
 SUITABLE FOR WET LOCATIONS
Includes Stem and Gooseneck Mounting Styles
 SUITABLE FOR DAMP LOCATIONS
Includes Cord and Chain Mounting Styles
 MADE IN THE USA
Manufactured and Hand-Crafted in Our 60,000 Square Foot Facility Located in Titusville, Florida

CONSTRUCTION/FINISH

HIGH TEMPERATURE, NEOPRENE O-RINGS
Provide Water-Tight Seal
 STAINLESS STEEL HARDWARE
 HEAT TREATED ALUMINUM DIE CAST LED HEATSINK
Complete with Clear Chromate Conversion Prior to Powder Coat

ELECTRICAL/LED DRIVER

POWER FACTOR > 0.9
 EFFICIENCY: UP TO 90% TYPICAL
 INPUT VOLTAGE: 120-277 VAC (SEE DIMMING SECTION)
 CLASS 2 POWER SUPPLY
 LED DRIVER LIFETIME: > 100,000 HOURS (@ 25 DEG C AMBIENT)
 IP64 MINIMUM RATING CASE WITH SILICONE-BASED POTTING PROTECTIONS
Output Open Load, Over-Current and Short-Circuit (hiccup), and Over-Temperature with Auto Recovery
 CONDUCTED AND RADIATED EMI
Compliant with FCC CFR Title 47 Part 15 Class B (120 Vac), Class A (277 Vac) and EN55015 (CISPR 15) at 220, 230 and 240 Vac
 COMPLIANT WITH
Complies with Energy Star® DLR (DesignLight Consortium®) and CA Title 24 Technical Requirements

OPTICS

PHOTOMETRIC FILES
Available upon Request
 OPTIONAL CAGE GUARD
Vandal Resistant Cast Aluminum Cage Guard, Cage Thickness 0.23"

LIGHT SOURCE

5600 INITIAL LUMENS DELIVERED WITH FROSTED GLASS
Higher Lumen Values Achievable with Clear and Ribbed Glass
 L90(11K) > 61,000 HOURS
 INTEGRATED LED COB
 AVAILABLE CCT: 2700K, 3000K, 3500K, 4000K & 5000K
 90+ CRI (R9 TYPICAL 60)
80+ CRI and 95+ CRI (R9 Typical 85) available upon Request
 3 STEP MACADAMS ELLIPSE
 EFFICACY: UP TO 90 LPW WITH FROSTED GLASS
Higher Lumen Values Achievable with Clear and Ribbed Glass

DIMMING

TRI-MODE DIMMING™
Compatible with TRIAC (Forward-Phase or Leading-Edge), ELV (Reverse-Phase or Trailing-Edge) and 0-10 V Dimmers Available with 42W, 48W and 57W Options.
 0-10V DIMMING
Available with 62W and 70W Options
 DIMMING RANGE 1-100%
The Dimming Range Is Dependent on Each Specific Dimmer. May Not Be Able to Achieve 1% Dimming with Some Dimmers.
 TRIAC AND ELV DIMMING ONLY AT 120 VAC
With 42W, 48W and 57W Options
 ELV DIMMING AT 230 VAC
Available by Request for LED42, LED48 and LED57
 COMPATIBLE DIMMERS
Consult Factory for Additional Information on Dimming

WARRANTY INFORMATION

LIMITED WARRANTY
For Additional Information on Our Limited Warranty, Please See Our Terms & Conditions