



Order Example: BLE - G - LDBW14 - 100 - 975 - G34 - 100 - NA - NA - SMK - TGG - 975 - CBL - LED70 - 4000K

A - MOUNTING STYLE

- C-STU** Cord and Studio Cable
CN Chain Hung
S Stem Mount
G Gooseneck

B - SHADE SIZE

- LDBW12** 12" Diameter
LDBW14 14" Diameter
LDBW16 16" Diameter
LDBW18 18" Diameter
LDBW20 20" Diameter

C - FINISHES

- PORCELAIN FINISHES:**
- 150 Black
 - 250 White
 - 350 Vintage Green
 - 355 Jadeite
 - 455 Cherry Red
 - 550 Yellow
 - 650 Bronze
 - 750 Cobalt Blue
 - 765 Delphite Blue
 - 850 Graphite
 - 950 Metallic Chrome
- POWDER COAT FINISHES:**
- 100 Black
 - 105 Textured Black
 - 200 White
 - 300 Dark Green
 - 307 Emerald Green
 - 370 Mint
 - 380 Chartreuse
 - 390 Teal
 - 400 Barn Red
 - 420 Orange
 - 470 Watermelon
 - 480 Blush Pink
 - 490 Magenta
 - 500 Buttery Yellow
 - 570 Sunflower
 - 600 Bronze
 - 601 Chocolate
 - 605 Rust
 - 615 Oil-Rubbed Bronze
 - 700 Royal Blue
 - 705 Navy
 - 800 Industrial Grey
 - 805 Charcoal Granite
 - 975 Galvanized
 - 980 Brushed Aluminum

C - FINISHES (CONTINUED)

- NATURAL FINISHES:**
- 995 Raw Copper
 - 996 Weathered Copper
 - 997 Raw Brass
 - 998 Weathered Brass
 - 999 Oil-Rubbed Copper

D - HEAT SINK FINISH¹

Please Note: See **Section C** for all Finish Options, Natural Finishes not applicable for heat sink. If porcelain finish is selected, heat sink will be powder coat painted-to-match

E - MOUNTING

- CSA LISTED CORD OPTIONS:**
- SBK** Standard Black²
 - SWH** Standard White²
 - CSB** Black Cloth²
 - CSW** White Cloth²
 - CSR** Red Cloth²
 - CSBW** Black & White Cloth²
 - CSRW** Red & White Cloth²
 - CSBG** Black & Gold Cloth²
 - CSBP** Black & Pink Cloth²
 - CSGW** Gold & White Cloth²
 - CSUW** Blue & White Cloth²
 - CSBB** Black & Brown Cloth²

NON-CSA LISTED CORD OPTIONS:

- CBK** Black Cotton²
- CRZ** Red Chevron²
- CMG** Grey Cotton²
- TBW** Black & White Twist²
- TBK** Black Cotton Twist²
- TWH** White Cotton Twist²
- TRW** Red & White Twist²
- TBR** Brown Cotton Twist²
- TBB** Brown & Beige Twist²
- TRD** Red Cotton Twist²
- TPT** Putty Cotton Twist²

CHAIN MOUNT OPTIONS:

- CN36** 3' of Chain
- CN48** 4' of Chain
- CN60** 5' of Chain
- CN72** 6' of Chain

E - MOUNTING (CONTINUED)

- STEM MOUNT OPTIONS:**
- ST506** .5" Stem Mount, 6"⁷
 - ST512** .5" Stem Mount, 12"⁷
 - ST518** .5" Stem Mount, 18"⁷
 - ST524** .5" Stem Mount, 24"⁷
 - ST536** .5" Stem Mount, 36"⁷
 - ST548** .5" Stem Mount, 48"⁷
 - ST706** .75" Stem Mount, 6"
 - ST712** .75" Stem Mount, 12"
 - ST718** .75" Stem Mount, 18"
 - ST724** .75" Stem Mount, 24"
 - ST736** .75" Stem Mount, 36"
 - ST748** .75" Stem Mount, 48"

GOOSENECK OPTIONS:

- G1⁷** **G19**
- G3⁷** **G22**
- G4** **G24**
- G8** **G26⁷**
- G11⁷** **G32**
- G12⁷** **G34**
- G13** **G35⁷**
- G14** **G36**
- G15** **G40**
- G16⁷** **G64**
- G17** **G65**

F - MOUNTING FINISH¹

Please Note: See **Section C** for all Finish Options, Natural Finishes not applicable for mounting. If porcelain finish is selected, mounting will be powder coat painted-to-match

G - CORDS⁵

- NA** Not Applicable
- Please Note: See **Section E** for all applicable CSA Listed Cord Options. Non-CSA Listed Cord Options for Chain Hung Mounting Style limited to: Black Cotton [CBK], Red Chevron [CRZ] and Grey Cotton [CMG]

H - CORD LENGTH⁶

- NA** Not Applicable
- 18** 18" Cord
 - 24** 24" Cord
 - 36** 36" Cord
 - 42** 42" Cord

I - GLASS

- CLR** Clear Glass
- FST** Frosted Glass
- RIB** Ribbed Glass
- CCR** Clear Crackle Glass³
- SMK** Smoke Crackle Glass³
- HCR** Honey Crackle Glass³

J - OPTIONAL GUARD/CAGE

- NA** Not Applicable/None
- CGG** Standard Cast Guard
- WGG** Wire Guard
- TGG** Heavy Duty Cast Guard
- WC** Wire Cage

K - GUARD/CAGE FINISH¹

Please Note: See **Section C** for all Finish Options, Natural Finishes not applicable for guard. If porcelain finish is selected, guard will be powder coat painted-to-match

L - OPTIONAL SUPPORT CABLE

- NA** Not Applicable/None
- CBL** Support Cable^{4,7}

M - LIGHT SOURCE

- LED42** 42W LED
 - LED48** 48W LED
 - LED57** 57W LED
 - LED62** 62W LED
 - LED70** 70W LED
- Please reference table on **Page 3** for lumen values of all light source options

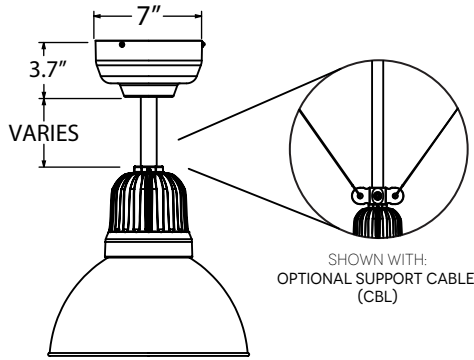
N - COLOR TEMPERATURE

- 2700K** 2700K, Warm White
- 3000K** 3000K, Neutral White
- 3500K** 3500K, Bright White
- 4000K** 4000K, Cool White
- 5000K** 5000K, Daylight

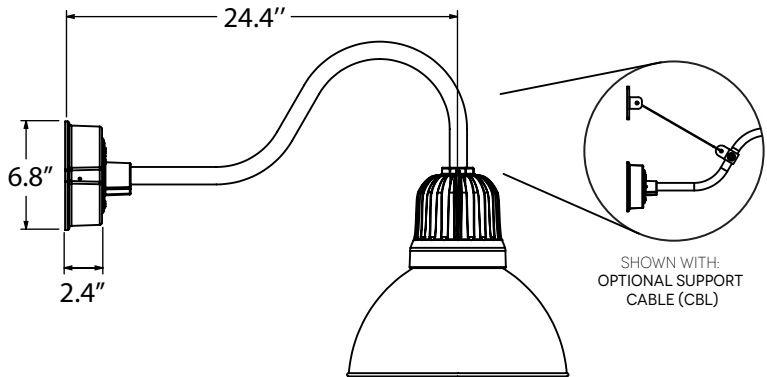
IMPORTANT: (1) Not available in Natural Finishes (2) Cord options are complete with a supportive studio cable, please refer to drawing on page 2 (3) Glass styles will change CCT, please consult factory for additional details (4) Only applicable if Stem Mount or Gooseneck is selected in Section A, select NA if another mounting style is selected (5) Only applicable if Chain Hung Mounting Style selected in Section A, select NA if another Mounting Style is selected (6) Only applicable if Cord and Studio Cable Mounting Style selected in Section A, select NA if another Mounting Style is selected (7) Support Cable not applicable with select Stem Mount or Gooseneck selections

MOUNTING STYLE

STEM MOUNT PENDANT (S)

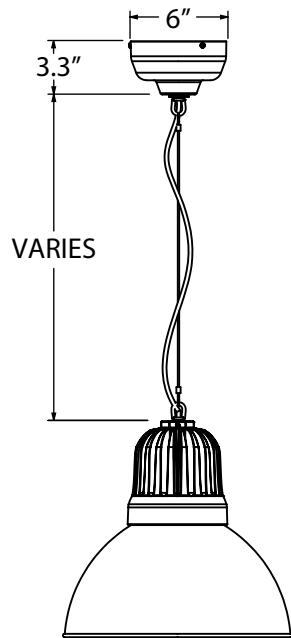


GOOSENECK (G)

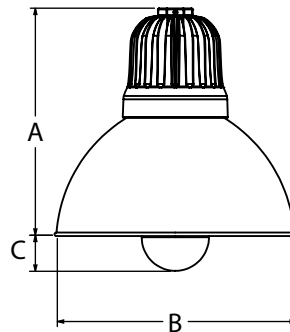


SHOWN WITH: G22 GOOSENECK ARM

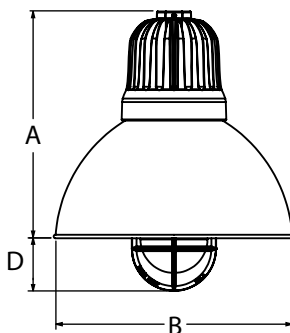
CORD & STUDIO CABLE PENDANT (C-STU)



AVAILABLE SHADE SIZES

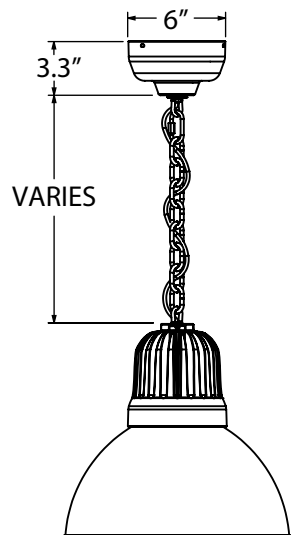


SHOWN WITH: GLASS ONLY
(CLR, FST, RIB, CCR, SMK OR HCR)



SHOWN WITH: OPTIONAL GUARD
(WGG, CGG OR TGG) & GLASS

CHAIN HUNG PENDANT (CN)



| SHADE CODE | HEIGHT (A) | DIAMETER (B) | LENGTH BELOW SHADE | |
|------------|------------|--------------|--------------------|------|
| | | | (C) | (D) |
| LDBW12 | 11.4" | 12" | 2" | 2.6" |
| LDBW14 | 12.4" | 14" | 0.4" | 1.3" |
| LDBW16 | 14.1" | 16" | 0" | 0" |
| LDBW18 | 15.4" | 18" | 0" | 0" |
| LDBW20 | 15.4" | 20" | 0" | 0" |

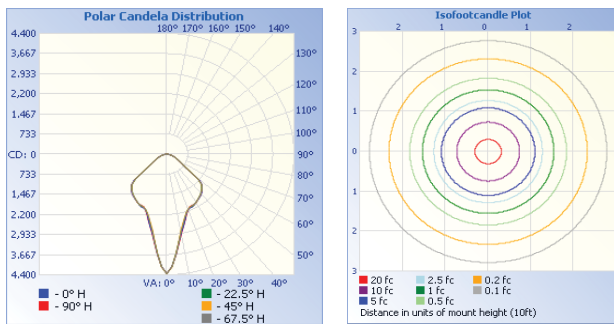
LIGHT SOURCE

All published luminaire photometric testing performed to IESNA LM-79-08 standards by a NVLAP accredited laboratory. Data is considered to be representative of the configurations shown, within the tolerances allowed by Lighting Facts. To obtain an IES file specific to your project, please contact the factory.

| LED | Drive Current | System Watts | CRI | 2700K | | 3000K | | 3500K | | 4000K | | 5000K | | |
|-------|---------------|--------------|---------|------------|--------|-------|--------|-------|--------|-------|--------|-------|--------|-----|
| | | | | Cage Guard | 90CRI | | 90CRI | | 90CRI | | 90CRI | | 90CRI | |
| | | | | | Lumens | LPW | Lumens | LPW | Lumens | LPW | Lumens | LPW | Lumens | LPW |
| LED42 | 1.0A | 42 | NA | 2959 | 70 | 3181 | 76 | 3404 | 81 | 3404 | 81 | 3404 | 81 | |
| | | | WGG-200 | 2705 | 64 | 2909 | 69 | 3112 | 74 | 3112 | 74 | 3112 | 74 | |
| | | | CGG-200 | 2519 | 60 | 2709 | 65 | 2898 | 69 | 2898 | 69 | 2898 | 69 | |
| LED48 | 1.2A | 48 | NA | 3331 | 69 | 3581 | 75 | 3831 | 80 | 3831 | 80 | 3831 | 80 | |
| | | | WGG-200 | 3045 | 63 | 3274 | 68 | 3503 | 73 | 3503 | 73 | 3503 | 73 | |
| | | | CGG-200 | 2836 | 59 | 3049 | 64 | 3262 | 68 | 3262 | 68 | 3262 | 68 | |
| LED57 | 1.4A | 57 | NA | 3801 | 67 | 4086 | 72 | 4372 | 77 | 4372 | 77 | 4372 | 77 | |
| | | | WGG-200 | 3475 | 61 | 3736 | 66 | 3997 | 70 | 3997 | 70 | 3997 | 70 | |
| | | | CGG-200 | 3235 | 57 | 3478 | 61 | 3721 | 65 | 3721 | 65 | 3721 | 65 | |
| LED62 | 1.6A | 62 | NA | 4243 | 68 | 4562 | 74 | 4881 | 79 | 4881 | 79 | 4881 | 79 | |
| | | | WGG-200 | 3880 | 63 | 4171 | 67 | 4462 | 72 | 4462 | 72 | 4462 | 72 | |
| | | | CGG-200 | 3613 | 58 | 3884 | 63 | 4155 | 67 | 4155 | 67 | 4155 | 67 | |
| LED70 | 1.75A | 70 | NA | 4527 | 65 | 4867 | 70 | 5207 | 74 | 5207 | 74 | 5207 | 74 | |
| | | | WGG-200 | 4139 | 59 | 4450 | 64 | 4761 | 68 | 4761 | 68 | 4761 | 68 | |
| | | | CGG-200 | 3854 | 55 | 4144 | 59 | 4433 | 63 | 4433 | 63 | 4433 | 63 | |

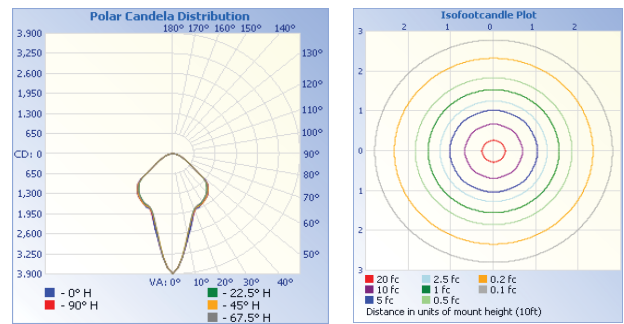
LIGHT DISTRIBUTION

NO GUARD (NA)



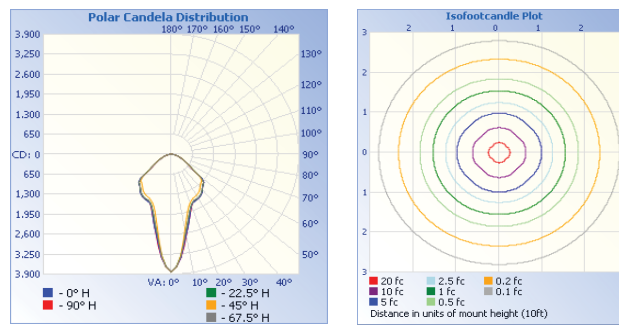
SHOWN ABOVE: THE KICKOFF/OVERTIME 20° SHADE LED70, 3000K

WIRE GUARD (WGG)



SHOWN ABOVE: THE KICKOFF/OVERTIME 20° SHADE LED70, 3000K

STANDARD CAST GUARD (CGG)



SHOWN ABOVE: THE KICKOFF/OVERTIME 20° SHADE LED70, 3000K

SPECIFICATIONS

CERTIFICATIONS

CSA LISTED (US AND CANADA)
 SUITABLE FOR INDOOR OR OUTDOOR USE
 SUITABLE FOR WET LOCATIONS
Includes Stem and Gooseneck Mounting Styles
 SUITABLE FOR DAMP LOCATIONS
Includes Chain and Cord and Studio Cable Mounting Styles
 MADE IN THE USA
Manufactured and Hand-Crafted in Our 60,000 Square Foot Facility Located in Titusville, Florida

CONSTRUCTION/FINISH

COPPER-FREE ALUMINUM HOUSING
Machined from Solid Billet (Type 6061-T6)
 HIGH TEMPERATURE, NEOPRENE O-RINGS
Provide Water-Tight Seal
 STAINLESS STEEL HARDWARE
 HEAT TREATED ALUMINUM DIE CAST LED HEAT SINK
Complete with Clear Chromate Conversion Prior to Powder Coat

ELECTRICAL/LED DRIVER

POWER FACTOR > 0.9
 EFFICIENCY: UP TO 90% TYPICAL
 INPUT VOLTAGE: 120-277 VAC (SEE DIMMING SECTION)
 CLASS 2 POWER SUPPLY
 LED DRIVER LIFETIME: > 100,000 HOURS (@ 25 DEG C AMBIENT)
 IP64 MINIMUM RATING CASE WITH SILICONE-BASED POTTING PROTECTIONS
Output Open Load, Over-Current and Short-Circuit (Hiccup), and Over-Temperature with Auto Recovery
 CONDUCTED AND RADIATED EMI
Compliant with FCC CFR Title 47 Part 15 Class B (120 Vac), Class A (277 Vac) and EN55015 (CISPR 15) at 220, 230 and 240 Vac
 COMPLIANT WITH
Complies with Energy Star® DLR (DesignLight Consortium®) and CA Title 24 Technical Requirements

OPTICS

PHOTOMETRIC FILES
Available upon Request
 OPTIONAL CAGE GUARD
Vandal Resistant Cast Aluminum Cage Guard, Cage Thickness 0.23"

LIGHT SOURCE

5600 INITIAL LUMENS DELIVERED WITH FROSTED GLASS
Higher Lumen Values Achievable with Clear and Ribbed Glass
 L90(11K) > 61,000 HOURS
 INTEGRATED LED COB
 AVAILABLE CCT: 2700K, 3000K, 3500K, 4000K & 5000K
 90+ CRI (R9 TYPICAL 60)
80+ CRI and 95+ CRI (R9 Typical 85) Available upon Request
 3 STEP MACADAMS ELLIPSE
 EFFICACY: UP TO 90 LPW WITH FROSTED GLASS
Higher Lumen Values Achievable with Clear and Ribbed Glass

DIMMING

TRI-MODE DIMMING™
Compatible with TRIAC (Forward-Phase or Leading-Edge), ELV (Reverse-Phase or Trailing-Edge) and 0-10 V Dimmers
 DIMMING RANGE 1-100%
The Dimming Range Is Dependent on Each Specific Dimmer. May Not Be Able to Achieve 1% Dimming with Some Dimmers
 TRIAC AND ELV DIMMING ONLY AT 120 VAC
 ELV DIMMING AT 230 VAC
Available by Request for LED42, LED48 and LED57
 COMPATIBLE DIMMERS
Consult Factory for Additional Information on Dimming

WARRANTY INFORMATION

LIMITED WARRANTY
For Additional Information on Our Limited Warranty, Please See Our Terms & Conditions