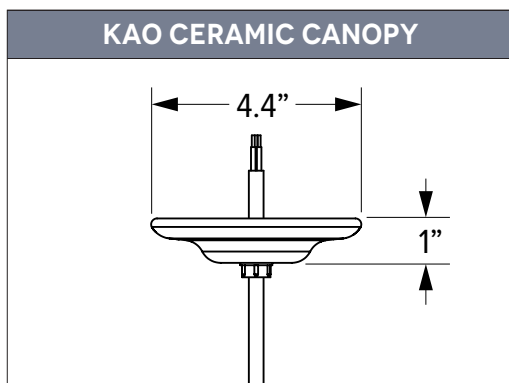
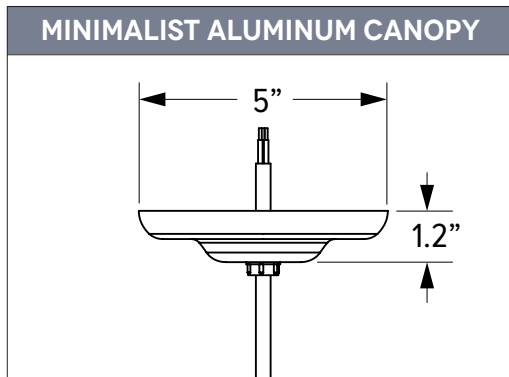
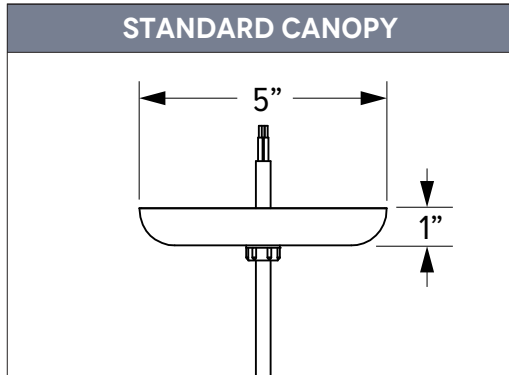


Numerous cord options contribute additional style to our pendant lights. Colorful options add playfulness and personality to the pendant’s aesthetic while black and white cords take on a more subdued role in the fixture’s design. Certain cords receive a rating for “damp” locations — meaning they can be exposed to moisture in the air but not direct contact with water. Other cords are limited to interior spaces. Cord-hung pendants include 7’ of standard cord or 5’ of cotton cord, +/- for socket orientation.



## CSA LISTED CORD OPTIONS

Damp or Dry Locations



**SBK** Standard Black Cord



**CSB** Black Cloth Cord



**CSR** Red Cloth Cord



**CSBW** Black & White Cloth Cord



**CSGW** Gold & White Cloth Cord



**CSBG** Black & Gold Cloth Cord



**SWH** Standard White Cord



**CSW** White Cloth Cord



**CSRW** Red & White Cloth Cord



**CSBP** Black & Pink Cloth Cord



**CSUW** Blue & White Cloth Cord



**CSBB** Black & Brown Chevron Cloth Cord

## NON-CSA LISTED CORD OPTIONS

Dry Locations Only



**CBK** Black Cotton Cord



**TBK** Black Cotton Twist Cord



**TBR** Brown Cotton Twist Cord



**TBB** Brown & Beige Cotton Twist Cord



**CRZ** Red Chevron Cord



**TBW** Black & White Chevron Cotton Twist Cord



**CMG** Grey Cotton Cord



**TWH** White Cotton Twist Cord



**TPT** Putty Cotton Twist Cord



**TRW** Red & White Cotton Twist Cord



**TRD** Red Cotton Twist Cord