



REV 10.23.18

THE LARAMIE COLLECTION

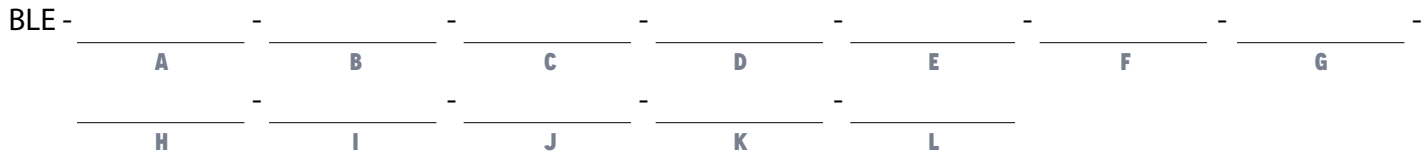
BARN LIGHT RLM FIXTURE FAMILY

Max Weight: 10.0 lbs

PROJECT NAME _____

PROJECT TYPE _____

SPS-0062



Order Example: BLE - C - LAR14 - 200 - CSGW - 200 - TGG - 975 - CCR - NA - E26 - NA - NA

A - MOUNTING STYLE

- C** Cord Hung
- F** Flush Mount
- G** Gooseneck
- S** Stem Mount

B - SHADE SIZE

THE LARAMIE:

- LAR8** 8" Shade^{1,13}
- LAR10** 10" Shade¹³
- LAR12** 12" Shade
- LAR14** 14" Shade
- LAR16** 16" Shade

C - SHADE FINISH

POWDER COAT FINISHES²:

- 100** Black
- 105** Textured Black
- 200** White
- 300** Dark Green
- 307** Emerald Green
- 311** Jadeite
- 370** Mint
- 380** Chartreuse
- 390** Teal
- 400** Barn Red
- 420** Orange
- 470** Watermelon
- 480** Blush Pink
- 490** Magenta
- 500** Buttery Yellow
- 570** Sunflower
- 600** Bronze
- 601** Chocolate
- 605** Rust
- 615** Oil-Rubbed Bronze
- 700** Royal Blue
- 705** Navy
- 710** Cobalt Blue
- 715** Delphite Blue
- 800** Industrial Grey
- 805** Charcoal Granite
- 810** Graphite
- 975** Galvanized

D - MOUNTING

CSA LISTED CORD OPTIONS:

- SBK** Standard Black
- SWH** Standard White
- CSB** Black Cloth
- CSW** White Cloth
- CSR** Red Cloth
- CSBB** Black & Brown Cloth
- CSRW** Red & White Cloth
- CSGW** Gold & White Cloth
- CSBG** Black & Gold Cloth
- CSBW** Black & White Cloth
- CSBP** Black & Pink Cloth
- CSUW** Blue & White Cloth

NON-CSA LISTED CORD OPTIONS:

- CBK** Black Cotton
- CMG** Grey Cotton
- CRZ** Red Chevron
- TBK** Black Cotton Twist¹
- TWH** White Cotton Twist¹
- TBR** Brown Cotton Twist¹
- TRD** Red Cotton Twist¹
- TPT** Putty Cotton Twist¹
- TBW** Black & White Twist¹
- TRW** Red & White Twist¹
- TBB** Brown & Beige Twist¹

FLUSH MOUNT OPTIONS: FM

GOOSENECK OPTIONS:

- | | |
|------------------------|--------------------------|
| G1 | G16 |
| G2³ | G17³ |
| G3 | G19^{1,3} |
| G4³ | G22³ |
| G5³ | G24³ |
| G6³ | G25³ |
| G7³ | G26 |
| G8³ | G32³ |
| G9³ | G34 |
| G10³ | G35 |
| G11 | G36³ |
| G12 | G40^{1,3} |
| G13³ | G64^{1,3} |
| G14³ | G65^{1,3} |
| G15³ | |

D - MOUNTING (CONTINUED)

STEM MOUNT OPTIONS:

- ST506** .5" Stem Mount, 6"
- ST512** .5" Stem Mount, 12"
- ST518** .5" Stem Mount, 18"
- ST524** .5" Stem Mount, 24"
- ST536** .5" Stem Mount, 36"
- ST548** .5" Stem Mount, 48"
- ST706** .75" Stem Mount, 6"³
- ST712** .75" Stem Mount, 12"³
- ST718** .75" Stem Mount, 18"³
- ST724** .75" Stem Mount, 24"³
- ST736** .75" Stem Mount, 36"³
- ST748** .75" Stem Mount, 48"³

E - MOUNTING FINISH

Please Note: See **Section C** for Finish Options. 980-Brushed Aluminum also available for Gooseneck and Stem mounting styles.

(I) If Cord Hung [C] or Flush Mount [F] Mounting Style, selection identifies canopy finish

(II) If Gooseneck [G] Mounting Style, selection identifies backing plate and gooseneck arm finish

(III) If Stem Mount [S] Mounting Style, selection identifies stem and canopy finish

- 980** Brushed Aluminum

F - SHADE ACCESSORIES

- NA** None
- TGG** Heavy Duty Guard^{5,6}
- CGG** Cast Guard^{5,6}
- WGG** Wire Guard^{5,6}

G - SHADE ACCESSORY FINISH

Please Note: Selection only applicable if accessory is selected in Section F, select NA if no accessory selected. See **Section C** for all Finish Options.

- NA** Not Applicable

H - GLASS OPTION

- NA** Not Applicable
- CLR** Clear Glass^{4,5,6}
- FST** Frosted Glass^{5,6}
- RIB** Ribbed Glass^{5,6}
- CCR** Clear Crackle Glass^{5,6}
- SMK** Smoke Crackle Glass^{5,6}
- HCR** Honey Crackle Glass^{5,6}

I - MOUNTING ACCESSORY

- NA** None/Not Applicable
- HSC** Hang Straight Canopy⁷
- HDSMC** Heavy Duty Stem Mount Canopy^{1,7}
- HDBP** Heavy Duty Backing Plate^{1,8}
- DD** Dusk-to-Dawn Photocell^{1,8}
- DBPC** Decorative Backing Plate Cover^{1,8}
- LDBPC** LED Decorative Backing Plate Cover⁸

J - LIGHT SOURCE

- E26** 200 Watt Max⁵
- GU24** 24 Bi-Pin, 23W Max⁵
- LED11** 850 Lumen, 11W LED⁹
- LED16** 1250 Lumen, 16W LED⁹
- LED16.8** 1600 Lumen, 16W LED⁵

K - COLOR TEMPERATURE¹¹

- NA** Not Applicable
- 2700K** 2700K, Warm White
- 3000K** 3000K, Neutral White
- 3500K** 3500K, Bright White
- 4000K** 4000K, Cool White

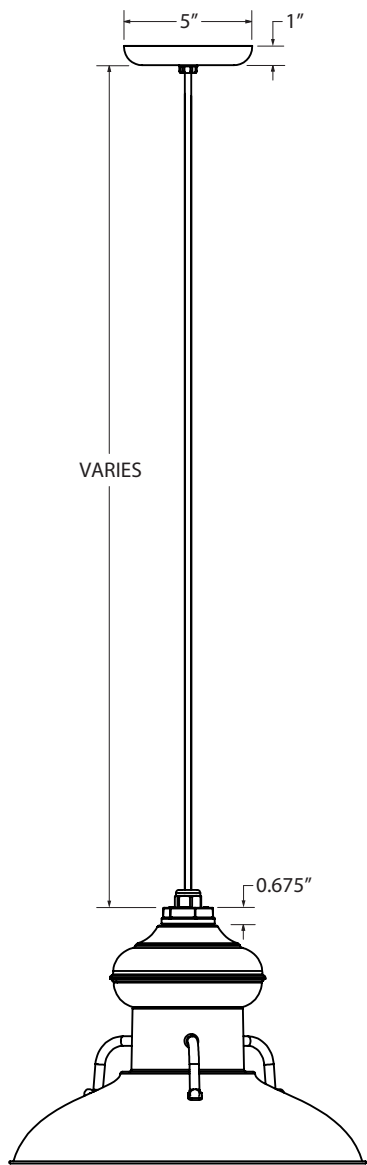
L - LED LENS^{11,12}

- NA** Not Applicable
- DL** Domed Lens
- FL** Flat Lens

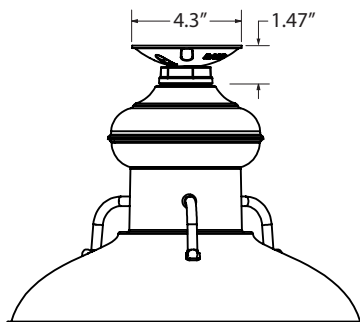
IMPORTANT: (1) Selection not available if LED11 or LED16 Light Source selected in Section J (2) All Powder Coat finished shades, Galvanized excluded, feature a white interior (3) Mounting option not available if LAR8 or LAR10 shade size is selected in Section B (4) Clear Glass not recommended if LED16.8 Light Source selected in Section J (5) Guard and Glass accessory reduces incandescent wattage to 100W Max, GU24 Bi-Pin to 18W Max and LED Max to 1600 Lumens (6) Guard and Glass accessory not applicable if LAR8 is selected in Section B (7) Selection only applicable if Stem Mount is selected in Section A (8) Selection only applicable if Gooseneck is selected in Section A (9) Light source selection not applicable if Guard and Glass accessory selected (10) Fixtures configured with GU24 socket are non-returnable (11) Selection only applicable if LED Light Source selected in Section J, select NA if E26 or GU24 source selected (12) Not applicable if LED16.8 Light Source selected in Section J (13) LAR8 and LAR10 not available if LED16.8 Light Source selected in Section J

MOUNTING STYLE

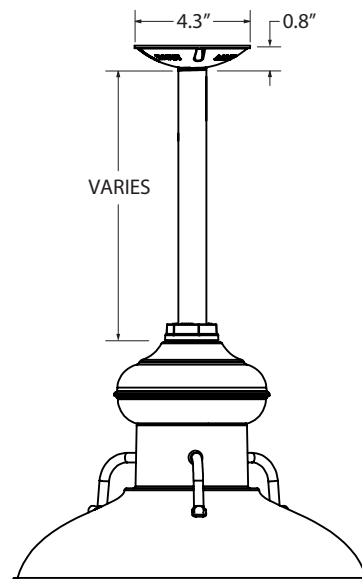
CORD HUNG PENDANT (C)



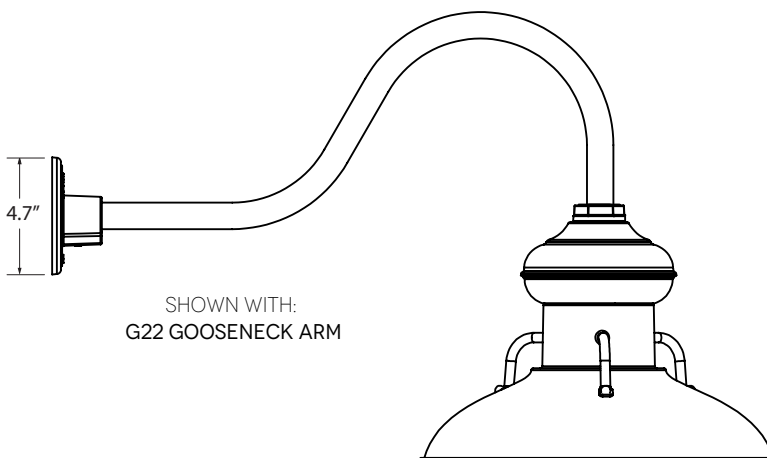
FLUSH MOUNT (F)



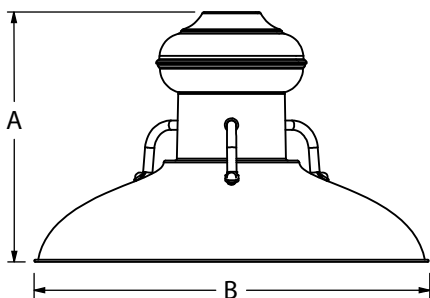
STEM MOUNT PENDANT (S)



GOOSENECK (G)



AVAILABLE SHADE SIZES



SHADE CODE	HEIGHT (A)	DIAMETER (B)
LAR8	5.7"	8"
LAR10	6.7"	10"
LAR12	8"	12"
LAR14	9.3"	14"
LAR16	10"	16"

LIGHT SOURCE

All published luminaire photometric testing performed to IESNA LM-79-08 standards by a NVLAP accredited laboratory. Data is considered to be representative of the configurations shown, within the tolerances allowed by Lighting Facts. To obtain an IES file specific to your project, please contact the factory.

OPTION	WATTAGE	LUMENS <small>*Avg. value, actual value dependent on bulb used</small>	CRI	VOLTAGE	DIMMING
LEDS					
LED11	11W	850	>90	120 VAC	TRIAC
LED16	16W	1250	>90	120 VAC	TRIAC
LED16.8	16W	1600	>90	120 VAC	TRIAC
INCANDESCENT (MED E26)					
E26	200W Max	*3000	*100	120 VAC	Bulb Dependant
COMPACT FLOURESCENT (GU24 CFL)					
GU24	23W Max	*1600	*75	120 VAC	Bulb Dependant

SPECIFICATIONS

MOUNTING

STEM
1/2" Nominal (0.84" Actual) Sch 40, 6063 Aluminum Mounting Stem. Custom Lengths Available upon Request.

GOOSENECK
1/2" Nominal (0.84" Actual) Sch 40, 6063 Aluminum Gooseneck

CORD
Cord-hung Pendants Include 7' Of Standard Cord Or 5' Of Cotton Cord, +/- For Socket Orientation

SHADE & FINISHES

THE LARAMIE SHADE
Hand-Spun from High Purity 0.050" Thick 3003-O Temper Aluminum

POWDER COAT FINISHES
Polyester Powder Coat Finishes Are Electro-Statically Applied and Thermocured

CERTIFICATIONS, LISTINGS & WARRANTY

MADE IN THE USA
Manufactured and Hand-Crafted in Our 60,000 Square Foot Facility Located in Titusville, FL

CSA LISTED FOR WET LOCATIONS
Includes Flush, Stem and Gooseneck Mounting Styles

CSA LISTED FOR DAMP LOCATIONS
Includes Select Cord Hung Mounting Styles

CSA LISTED FOR DRY LOCATIONS
Includes Select Cord Hung Mounting Styles

LIMITED WARRANTY
For Additional Information on Our Limited Warranty, Please See Our Terms & Conditions

LED SPECIFICATIONS

LUMEN MAINTENANCE
L90(6K) > 36,300 Hours, LED16.8 Source is L90(11K) > 61,000 Hours.

COLOR TEMPERATURES
Standard Color Temperatures Available Include 2700K, 3000K, 3500K and 4000K. Custom Temperatures Available upon Request.

CRI
Minimum 90 CRI. Consult Factory for Other Cri Options.

EFFICACY
Up to 100 LPW Based on Wattage/Lumens in the Table

DRIVER & DIMMING OPTION
850 and 1250 Lumen, Reliant on Triac Dimming 12w / 120v Mounted in Canopy, up to 5% Dimming.
2000, 3000 & 4000 Lumen Reliant on 0-10v Dimmer, Generally up to 10% Dimming.
Requires Compatible Dimming Switch.