

Order Example: BLE - C - WHE10 - 995 - CSBG - 100 - NA - WC - 100 - NA - E26 - NA - NA

A - MOUNTING STYLE

- C** Cord Hung
- CN** Chain Hung
- F** Flush Mount
- G** Gooseneck
- S** Stem Mount

B - SHADE SIZE

- ECLIPSE/ESSO:**
- WHE8^{2,9}**
 - WHE10**

C - SHADE FINISH

- POWDER COAT FINISHES¹:**
- 100** Black
 - 105** Textured Black
 - 200** White
 - 300** Dark Green
 - 307** Emerald Green
 - 311** Jadeite
 - 370** Mint
 - 380** Chartreuse
 - 390** Teal
 - 400** Barn Red
 - 420** Orange
 - 470** Watermelon
 - 480** Blush Pink
 - 490** Magenta
 - 500** Buttery Yellow
 - 570** Sunflower
 - 600** Bronze
 - 601** Chocolate
 - 605** Rust
 - 615** Oil-Rubbed Bronze
 - 700** Royal Blue
 - 705** Navy
 - 710** Cobalt Blue
 - 715** Delphite Blue
 - 800** Industrial Grey
 - 805** Charcoal Granite
 - 810** Graphite
 - 975** Galvanized

C - SHADE FINISH (CONTINUED)

- PORCELAIN FINISHES⁶:**
- 150** Black
 - 250** White
 - 350** Vintage Green
 - 355** Jadite
 - 455** Cherry Red
 - 550** Yellow
 - 650** Bronze
 - 750** Cobalt Blue
 - 765** Delphite Blue
 - 850** Graphite
 - 950** Metallic Chrome
- NATURAL FINISHES⁷:**
- 995** Raw Copper
 - 996** Weathered Copper
 - 997** Raw Brass
 - 998** Weathered Brass
 - 999** Oil-Rubbed Copper

D - MOUNTING

- CSA LISTED CORD OPTIONS:**
- SBK** Standard Black
 - SWH** Standard White
 - CSB** Black Cloth
 - CSW** White Cloth
 - CSR** Red Cloth
 - CSBB** Black & Brown Cloth
 - CSRW** Red & White Cloth
 - CSGW** Gold & White Cloth
 - CSBG** Black & Gold Cloth
 - CSBW** Black & White Cloth
 - CSBP** Black & Pink Cloth
 - CSUW** Blue & White Cloth

NON-CSA LISTED CORD OPTIONS:

- CBK** Black Cotton
- CMG** Grey Cotton
- CRZ** Red Chevron
- TBK** Black Cotton Twist²
- TWH** White Cotton Twist²
- TBR** Brown Cotton Twist²
- TRD** Red Cotton Twist²
- TPT** Putty Cotton Twist²
- TBW** Black & White Twist²
- TRW** Red & White Twist²
- TBB** Brown & Beige Twist²

D - MOUNTING (CONTINUED)

- CHAIN MOUNT OPTIONS:**
- CN36** 3' of Chain⁸
 - CN48** 4' of Chain⁸
 - CN60** 5' of Chain⁸
 - CN72** 6' of Chain⁸
- FLUSH MOUNT OPTIONS:**
- FM⁸**
- GOOSENECK OPTIONS:**
- G1⁸** **G12⁸**
 - G3⁸** **G16⁸**
 - G5⁸** **G26⁸**
 - G11⁸** **G35⁸**
- STEM MOUNT OPTIONS:**
- ST506** .5" Stem Mount, 6"⁸
 - ST512** .5" Stem Mount, 12"⁸
 - ST518** .5" Stem Mount, 18"⁸
 - ST524** .5" Stem Mount, 24"⁸
 - ST536** .5" Stem Mount, 36"⁸
 - ST548** .5" Stem Mount, 48"⁸

E - MOUNTING FINISH

- Please Note: See Section C for Finish Options. 980-Brushed Aluminum is also available for Gooseneck and Stem mounting styles. If Porcelain Finish is selected, mounting will be powder coat painted-to-match.*
- (I) If Cord Hung [C] or Flush Mount [F] Mounting Style, selection identifies canopy finish*
- (II) If Chain Hung [CN] Mounting Style, selection identifies chain and canopy finish*
- (III) If Stem Mount [S] Mounting Style, selection identifies stem and canopy finish*
- 980** Brushed Aluminum

F - CORDS³

- Please Note: See Section D for all applicable CSA Listed Cord Options. Non-CSA Listed Cord Options for Chain Hung Mounting Style limited to: Black Cotton [CBK], Red Chevron [CRZ] and Grey Cotton [CMG]*
- NA** Not Applicable

G - SHADE ACCESSORIES

- NA** None
- WC** Wire Cage⁸

H - SHADE ACCESSORY FINISH

- Please Note: See Section C for Finish Options. Natural Finishes not applicable with Wire Cage or Guard. If Porcelain Finish is selected, accessory will be powder coat painted-to-match*
- NA** Not Applicable

I - MOUNTING ACCESSORY

- NA** None/Not Applicable
- HSC** Hang Straight Canopy⁴
- HDSMC** Heavy Duty Stem Mount Canopy^{2,4}
- HDBP** Heavy Duty Backing Plate^{2,4}
- DD** Dusk-to-Dawn Photocell^{2,4}
- DBPC** Decorative Backing Plate Cover
- LDBPC** LED Decorative Backing Plate Cover

J - LIGHT SOURCE

- E26** 200 Watt Max
- GU24** 24 Bi-Pin, 23W Max
- LED11** 850 Lumen, 11W LED
- LED16** 1250 Lumen, 16W LED

K - COLOR TEMPERATURE⁵

- NA** Not Applicable
- 2700K** 2700K, Warm White
- 3000K** 3000K, Neutral White
- 3500K** 3500K, Bright White
- 4000K** 4000K, Cool White

L - LED LENS⁵

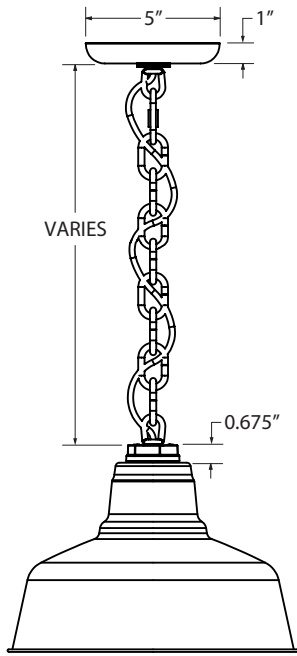
- NA** Not Applicable
- DL** Domed Lens
- FL** Flat Lens

IMPORTANT: (1) All Powder Coat finished shades, Galvanized excluded, feature a white interior (2) Not available in LED (3) Only applicable if Chain Hung Mounting Style selected in Section A, select NA if another Mounting Style is selected (4) Only applicable if Stem Mount Mounting Style selected in Section A (5) Only applicable if an LED Light Source is selected in Section J, select NA if another light source is selected (6) All Porcelain Enamel finished shades feature a white interior and a black outer rim (7) Natural Finishes have a longer estimated manufacturing time, please check the website for exact lead time. There are no returns accepted on Natural Finishes (8) Not available in Natural Finishes (9) Not available in Chain Hung Mounting Style

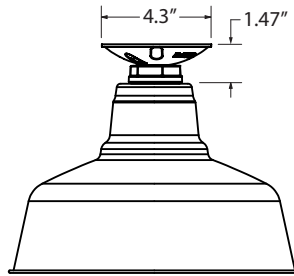
MOUNTING STYLE

Galvanized steel shades are crafted from 20 Ga Sheet metal while 1100-0 Aluminum—ranging from ranging from 0.050" to 0.125"—is used for all other shades. All shades have their edges rolled, and the result is highly durable and stylish lighting.

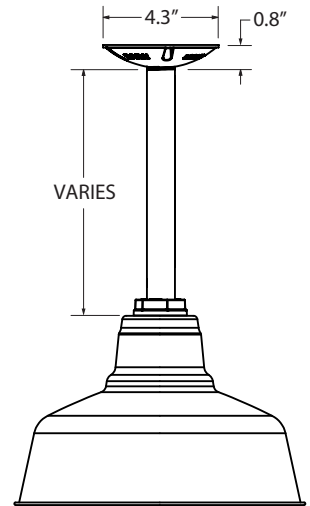
CHAIN HUNG PENDANT (CN)



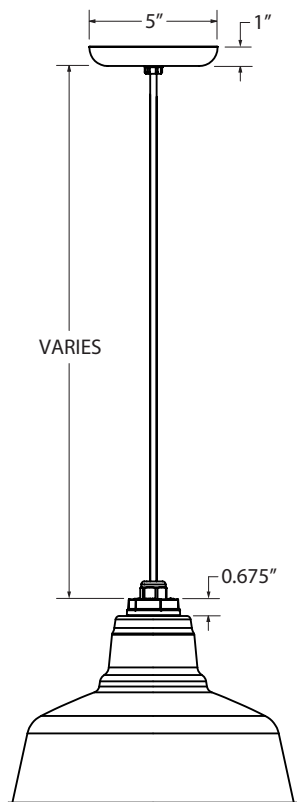
FLUSH MOUNT (F)



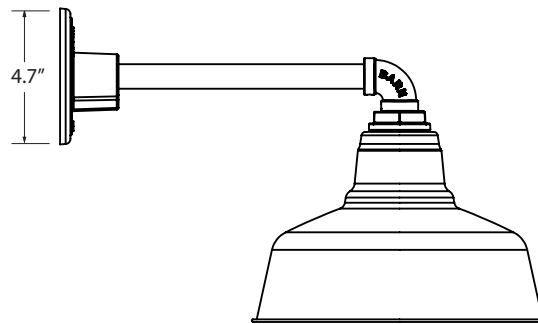
STEM MOUNT PENDANT (S)



CORD HUNG PENDANT (C)

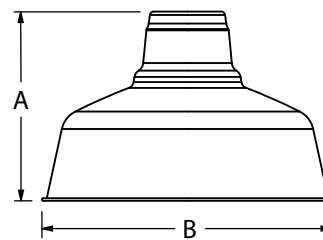


GOOSENECK (G)



SHOWN WITH: G16 GOOSENECK ARM

AVAILABLE SHADE SIZES



SHADE CODE	HEIGHT (A)	DIAMETER (B)
WHE8	5.25"	8"
WHE10	6.50"	10"

LIGHT SOURCE

All published luminaire photometric testing performed to IESNA LM-79-08 standards by a NVLAP accredited laboratory. Data is considered to be representative of the configurations shown, within the tolerances allowed by Lighting Facts. To obtain an IES file specific to your project, please contact the factory.

OPTION	WATTAGE	LUMENS <small>*Avg. value, actual value dependent on bulb used</small>	CRI	VOLTAGE	DIMMING
LEDS					
LED11	11W	850	>90	120 VAC	TRIAC
LED16	16W	1250	>90	120 VAC	TRIAC
INCANDESCENT (MED E26)					
E26	200W Max	*3000	*100	120 VAC	Bulb Dependant
COMPACT FLOURESCENT (GU24 CFL)					
GU24	23W Max	*1600	*75	120 VAC	Bulb Dependant

SPECIFICATIONS

MOUNTING

STEM
1/2" Nominal (0.84" Actual) or 3/4" Nominal (1.05" Actual) Sch 40, 6063 Aluminum Mounting Stem. Custom Lengths Available upon Request.

GOOSENECK
1/2" Nominal (0.84" Actual) or 3/4" Nominal (1.05" Actual) Sch 40, 6063 Aluminum Gooseneck

CORD
Cord-hung Pendants Include 7' Of Standard Cord Or 5' Of Cotton Cord, +/- For Socket Orientation

SHADE & FINISHES

ECLIPSE SHADE
Hand-Spun from High Purity 0.050" Thick 3003-O Temper Aluminum

ESSO PORCELAIN SHADE
Hand-Spun from 20 Guage Sheet Metal

POWDER COAT FINISHES
Polyester Powder Coat Finishes Are Electro-Statically Applied and Thermocured

PORCELAIN FINISHES
Applied by Hand and Fired in a High Temperature Oven

LED SPECIFICATIONS

LUMEN MAINTENANCE
L90(6K) > 36,300 Hours

COLOR TEMPERATURES
Standard Color Temperatures Available Include 2700K, 3000K, 3500K and 4000K. Custom Temperatures Available upon Request.

CRI
Minimum 90 CRI. Consult Factory for Other CRI Options.

EFFICACY
Up to 78 LPW based on Wattage/Lumens in the Table.

DRIVER & DIMMING OPTION
850 and 1250 Lumen, Relient on Triac Dimming 12W / 120V Mounted in Canopy, up to 5% Dimming.

CERTIFICATIONS, LISTINGS & WARRANTY

MADE IN THE USA
Manufactured and Hand-Crafted in our 60,000 Square Foot Facility Located in Titusville, FL

CSA LISTED FOR WET LOCATIONS
Includes All Stem and Gooseneck Mounting Styles

CSA LISTED FOR DAMP LOCATIONS
Includes All Chain and Select Cord Hung Mounting Styles

LIMITED WARRANTY
For Additional Information on Our Limited Warranty, Please See Our Terms & Conditions