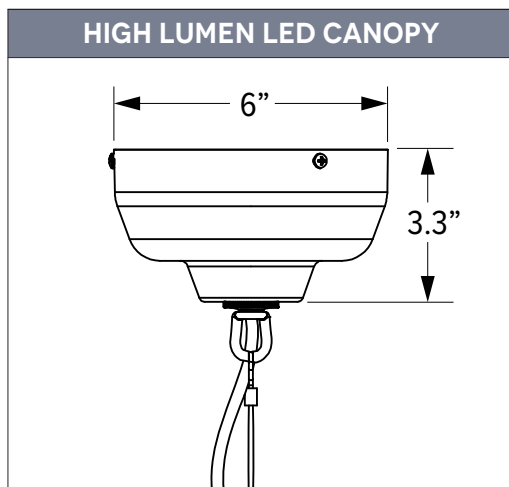
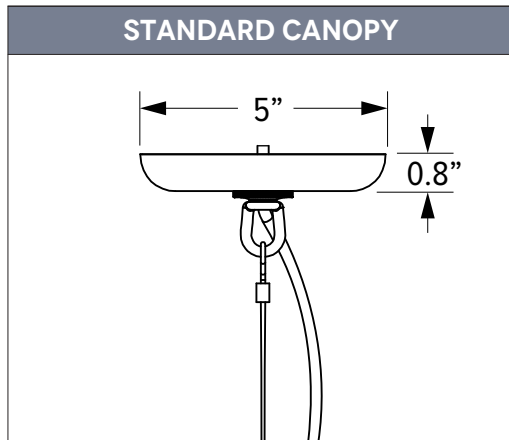


To create a laid-back industrial style, studio lights suspend their shades from 3/32" galvanized steel aircraft cable. The fixture's cord is draped around this cable, establishing a relaxed aesthetic. A diverse selection of cord options, ranging from colorful and playful to more subdued, contribute additional touches of personality and character to the fixture's design. Some cords are rated for "damp" areas — meaning they can be exposed to moisture in the air but cannot come in direct contact with water — while others are limited to dry spaces only. All studio lights include 7' of standard cord or 5' of cotton cord, +/- for socket orientation.



## CSA LISTED CORD OPTIONS

Damp or Dry Locations



**SBK** Standard Black Cord



**CSB** Black Cloth Cord



**CSR** Red Cloth Cord



**CSBW** Black & White Cloth Cord



**CSGW** Gold & White Cloth Cord



**CSBG** Black & Gold Cloth Cord



**SWH** Standard White Cord



**CSW** White Cloth Cord



**CSRW** Red & White Cloth Cord



**CSBP** Black & Pink Cloth Cord



**CSUW** Blue & White Cloth Cord



**CSBB** Black & Brown Chevron Cloth Cord

## NON-CSA LISTED CORD OPTIONS

Dry Locations Only



**CBK** Black Cotton Cord



**CMG** Grey Cotton Cord



**CRZ** Red Chevron Cord