

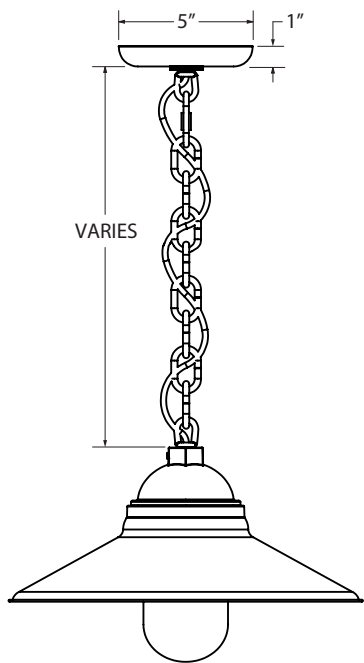
Order Example: BLE - CN - A114 - 355 - CN36 - SBK - NA - CGG - 975 - FST - LED16.8 - 2700K

A - MOUNTING STYLE	D - MOUNTING	D - MOUNTING (CONTINUED)	G - GUARD OPTION
<p>C Cord Hung</p> <p>CN Chain Hung</p> <p>F Flush Mount</p> <p>G Gooseneck</p> <p>S Stem Mount</p>	<p>CSA LISTED CORD OPTIONS:</p> <p>SBK Standard Black</p> <p>SWH Standard White</p> <p>CSB Black Cloth</p> <p>CSW White Cloth</p> <p>CSR Red Cloth</p> <p>CSBB Black & Brown Cloth</p> <p>CSRW Red & White Cloth</p> <p>CSGW Gold & White Cloth</p> <p>CSBG Black & Gold Cloth</p> <p>CSBW Black & White Cloth</p> <p>CSBP Black & Pink Cloth</p> <p>CSUW Blue & White Cloth</p> <p>NON-CSA LISTED CORD OPTIONS:</p> <p>CBK Black Cotton</p> <p>CMG Grey Cotton</p> <p>CRZ Red Chevron</p> <p>TBK Black Cotton Twist[†]</p> <p>TWH White Cotton Twist[†]</p> <p>TBR Brown Cotton Twist[†]</p> <p>TRD Red Cotton Twist[†]</p> <p>TPT Putty Cotton Twist[†]</p> <p>TBW Black & White Twist[†]</p> <p>TRW Red & White Twist[†]</p> <p>TBB Brown & Beige Twist[†]</p> <p>CHAIN MOUNT OPTIONS:</p> <p>CN36 3' of Chain (Standard)</p> <p>CN48 4' of Chain</p> <p>CN60 5' of Chain</p> <p>CN72 6' of Chain</p> <p>FLUSH MOUNT OPTIONS:</p> <p>FM</p> <p>GOOSENECK OPTIONS:</p> <p>G1 G16</p> <p>G2 G17</p> <p>G3 G19</p> <p>G4 G22</p> <p>G5 G24</p> <p>G6 G25</p> <p>G7 G26</p> <p>G8 G32</p> <p>G9 G34</p> <p>G10 G35</p> <p>G11 G36</p> <p>G12 G40</p> <p>G13 G64</p> <p>G14 G65</p> <p>G15</p>	<p>STEM MOUNT OPTIONS:</p> <p>ST506 .5" Stem Mount, 6"</p> <p>ST512 .5" Stem Mount, 12"</p> <p>ST518 .5" Stem Mount, 18"</p> <p>ST524 .5" Stem Mount, 24"</p> <p>ST536 .5" Stem Mount, 36"</p> <p>ST548 .5" Stem Mount, 48"</p> <p>ST706 .75" Stem Mount, 6"</p> <p>ST712 .75" Stem Mount, 12"</p> <p>ST718 .75" Stem Mount, 18"</p> <p>ST724 .75" Stem Mount, 24"</p> <p>ST736 .75" Stem Mount, 36"</p> <p>ST748 .75" Stem Mount, 48"</p> <p>E - CORDS³</p> <p>NA Not Applicable</p> <p><i>Please Note: See Section D for all applicable CSA Listed Cord Options. Non-CSA Listed Cord Options for Chain Hung Mounting Style limited to: Black Cotton [CBK], Red Chevron [CRZ] and Grey Cotton [CMG]</i></p> <p>F - MOUNTING ACCESSORY</p> <p>NA None/Not Applicable</p> <p>HSC Hang Straight Canopy[†]</p> <p>HDSMC Heavy Duty Stem Mount Canopy[†]</p> <p>DD Dusk-to-Dawn Photocell[†]</p>	<p>NA None/No Guard</p> <p>WGG Wire Guard</p> <p>CGG Standard Cast Guard</p> <p>TGG Heavy Duty Cast Guard</p> <p>H - GUARD FINISH</p> <p><i>Please Note: See Section C for all Guard Finish options. If no guard selected in Section G, select NA. Finish 975-Galvanized is also available. If Porcelain Finish selected, guard will be powder coat painted-to-match.</i></p> <p>NA Not Applicable</p> <p>975 Galvanized</p> <p>I - GLASS OPTIONS</p> <p>CLR Clear Glass[†]</p> <p>FST Frosted Glass</p> <p>RIB Ribbed Glass</p> <p>CCR Clear Crackle Glass</p> <p>SMK Smoke Crackle Glass</p> <p>HCR Honey Crackle Glass</p> <p>J - LIGHT SOURCE</p> <p>E26 100 Watt Max</p> <p>GU24 24 Bi-Pin, 18W Max⁷</p> <p>LED16.8 1600 Lumen, 16W LED</p> <p>K - COLOR TEMPERATURE⁸</p> <p>NA Not Applicable</p> <p>2700K 2700K, Warm White</p> <p>3000K 3000K, Neutral White</p> <p>3500K 3500K, Bright White</p> <p>4000K 4000K, Cool White</p>

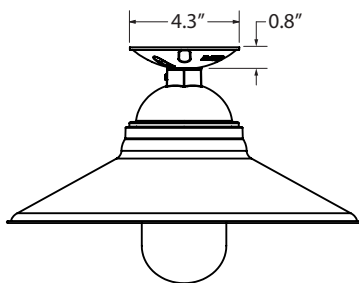
IMPORTANT: (1) All Porcelain Enamel finished shades feature a white interior and black outer rim (2) Not applicable if LED16.8 Light Source selected in Section J (3) Only applicable if Chain Hung Mounting Style selected in Section A, select NA if another Mounting Style is selected (4) Only applicable if Stem Mount Mounting Style selected in Section A (5) Only applicable if Gooseneck Mounting Style selected in Section A (6) Clear Glass not recommended if LED16.8 Light Source selected in Section J (7) Fixtures configured with a GU24 socket are non-returnable (8) Selection only applicable if LED16.8 Light Source selected in Section J

MOUNTING STYLE

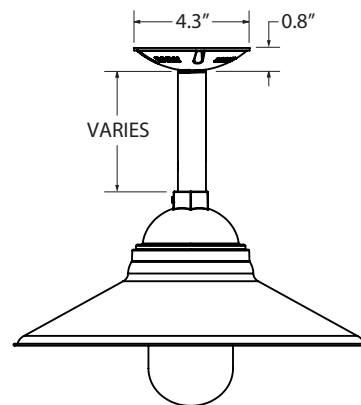
CHAIN HUNG PENDANT (CN)



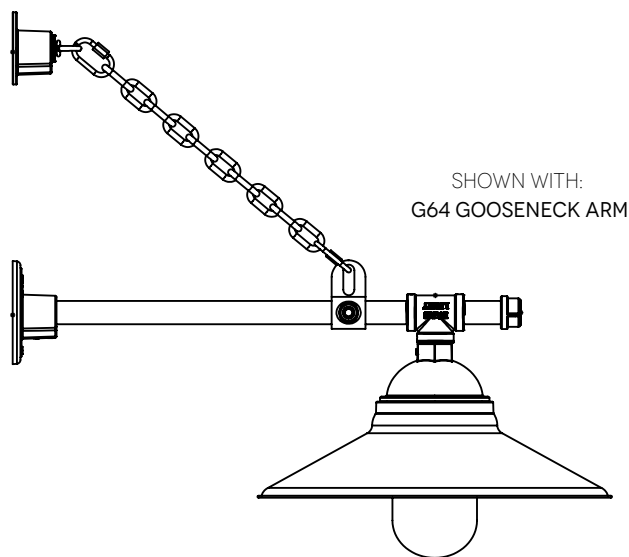
FLUSH MOUNT (F)



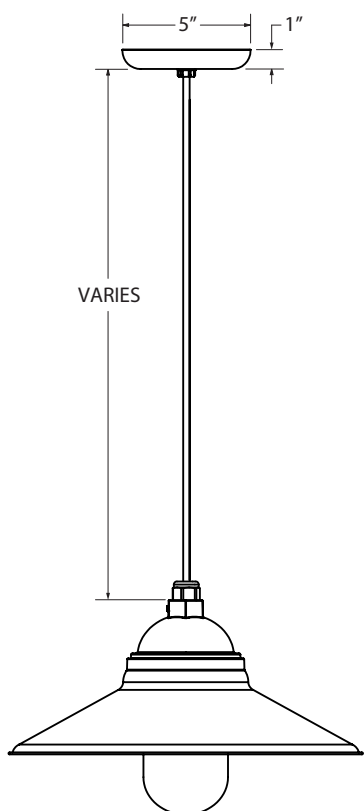
STEM MOUNT PENDANT (S)



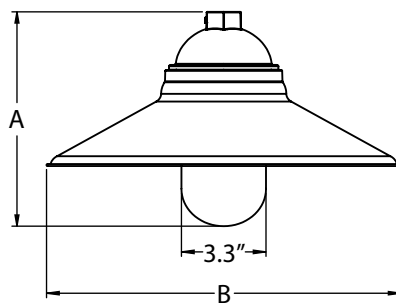
GOOSENECK (G)



CORD HUNG PENDANT (C)



AVAILABLE SHADE SIZES



SHADE CODE	HEIGHT (A)	DIAMETER (B)
A112	10.25"	12"
A114	10.25"	14"
A116	10.25"	16"

LIGHT SOURCE

All published luminaire photometric testing performed to IESNA LM-79-08 standards by a NVLAP accredited laboratory. Data is considered to be representative of the configurations shown, within the tolerances allowed by Lighting Facts. To obtain an IES file specific to your project, please contact the factory.

OPTION	WATTAGE	LUMENS <small>*Avg. value, actual value dependent on bulb used</small>	CRI	VOLTAGE	DIMMING
INCANDESCENT (MED E26)					
E26	100W Max	1600*	100*	120 VAC	Bulb Dependant
COMPACT FLOURESCENT (GU24 CFL)					
GU24	18W Max	1600*	75*	120 VAC	Bulb Dependant
LED					
LED16.8	16.8W	1600	>90	120 VAC	TRIAC

SPECIFICATIONS

MOUNTING

STEM
1/2" Nominal (0.84" Actual) or 3/4" Nominal (1.05" Actual) Sch 40, 6063 Aluminum Mounting Stem. Custom Lengths Available upon Request.

GOOSENECK
1/2" Nominal (0.84" Actual) or 3/4" Nominal (1.05" Actual) Sch 40, 6063 Aluminum Gooseneck

CORD
Cord-hung Pendants Include 7' Of Standard Cord Or 5' Of Cotton Cord, +/- For Socket Orientation

CERTIFICATIONS, LISTINGS & WARRANTY

MADE IN THE USA
Manufactured and Hand-Crafted in Our 60,000 Square Foot Facility Located in Titusville, FL

CSA LISTED FOR WET LOCATIONS
Includes all Stem and Gooseneck Mounting Styles

CSA LISTED FOR DAMP LOCATIONS
Includes all Chain and select Cord Hung Mounting Styles

LIMITED WARRANTY
For Additional Information on Our Limited Warranty, Please See Our Terms & Conditions

LED SPECIFICATIONS

LUMEN MAINTENANCE
LED16.8 Source is L90(11K) > 61,000 Hours.

COLOR TEMPERATURES
Standard Color Temperatures Available Include 2700K, 3000K, 3500K and 4000K. Custom Temperatures Available upon Request.

CRI
Minimum 90 CRI. Consult Factory for Other CRI Options

EFFICACY
Delivers over 95 Lumens per Watt

DRIVER & DIMMING OPTION
Reliant on Triac Dimming 16.8W / 120V, Dimmable down to 1% Depending on Dimmer. Requires Compatible Dimming Switch.

SHADE & FINISHES

THE CLEVELAND PORCELAIN SHADE
Hand-Spun from 20 Guage Sheet Metal

PORCELAIN FINISHES
Applied by Hand and Fired in a High Temperature Oven