



BLE - C - \_\_\_\_\_ - KAO - \_\_\_\_\_ - \_\_\_\_\_ - \_\_\_\_\_ - \_\_\_\_\_ - \_\_\_\_\_ - \_\_\_\_\_ - \_\_\_\_\_  
 A B C D E F G

Order Example: BLE - C - SCH10 - KAO - 390 - TBK - 390 - PB3 - 100 - E26

**A - GLASS STYLE & SIZE**

- SCH10** Small Opaque Glass
- SCH14** Large Opaque Glass
- SCHCL10** Small Clear Glass
- SCHCL14** Large Clear Glass

**B - FITTER FINISH**

*POWDER COAT FINISHES:*

- 100** Black
- 105** Textured Black
- 200** White
- 300** Dark Green
- 307** Emerald Green
- 311** Jadite
- 370** Mint
- 380** Chartreuse
- 390** Teal
- 400** Barn Red
- 420** Orange
- 470** Watermelon
- 480** Blush Pink
- 490** Magenta
- 500** Buttery Yellow
- 570** Sunflower
- 600** Bronze
- 601** Chocolate
- 605** Rust

**B - FITTER FINISH (CONTINUED)**

*POWDER COAT FINISHES:*

- 615** Oil-Rubbed Bronze
- 700** Royal Blue
- 705** Navy
- 710** Cobalt Blue
- 715** Delphite Blue
- 800** Industrial Grey
- 805** Charcoal Granite
- 810** Graphite
- 975** Galvanized

**C - CORDS**

*CSA LISTED CORD OPTIONS:*

- SBK** Standard Black
- SWH** Standard White
- CSB** Black Cloth
- CSW** White Cloth
- CSR** Red Cloth
- CSBW** Black & White Cloth
- CSRW** Red & White Cloth
- CSBG** Black & Gold Cloth
- CSBP** Black & Pink Cloth
- CSGW** Gold & White Cloth
- CSUW** Blue & White Cloth
- CSBB** Black & Brown Cloth

**C - CORDS (CONTINUED)**

*NON-CSA LISTED CORD OPTIONS:*

- CBK** Black Cotton
- CRZ** Red Chevron
- CMG** Grey Cotton
- TBW** Black & White Twist
- TBK** Black Cotton Twist
- TWH** White Cotton Twist
- TRW** Red & White Twist
- TBR** Brown Cotton Twist
- TBB** Brown & Beige Twist
- TRD** Red Cotton Twist
- TPT** Putty Cotton Twist

**D - CEILING CANOPY FINISH**

*Please Note: See Section B for all applicable Ceiling Canopy Finish Options*

**E - PAINTED BAND**

- NA** None/No Painted Band
- PB1** Single Painted Band
- PB2** Double Painted Band
- PB3** Triple Painted Band

**F - PAINTED BAND FINISH**

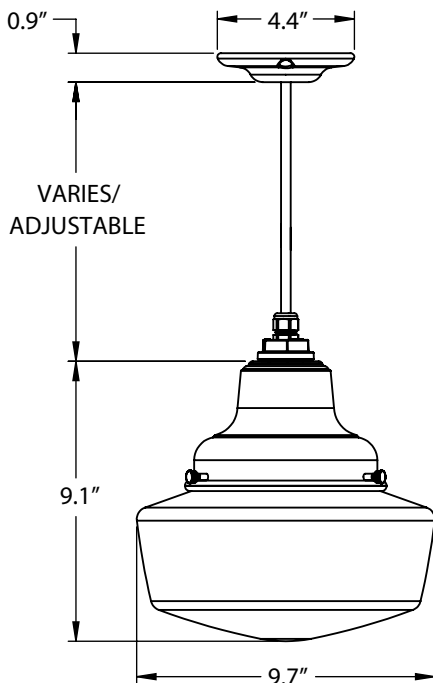
- NA** Not Applicable
- 100** Black
- 307** Emerald Green
- 311** Jadite
- 390** Teal
- 400** Barn Red
- 490** Magenta
- 500** Buttery Yellow
- 600** Bronze
- 700** Royal Blue
- 705** Navy
- 715** Delphite Blue

**G - SOCKET TYPE**

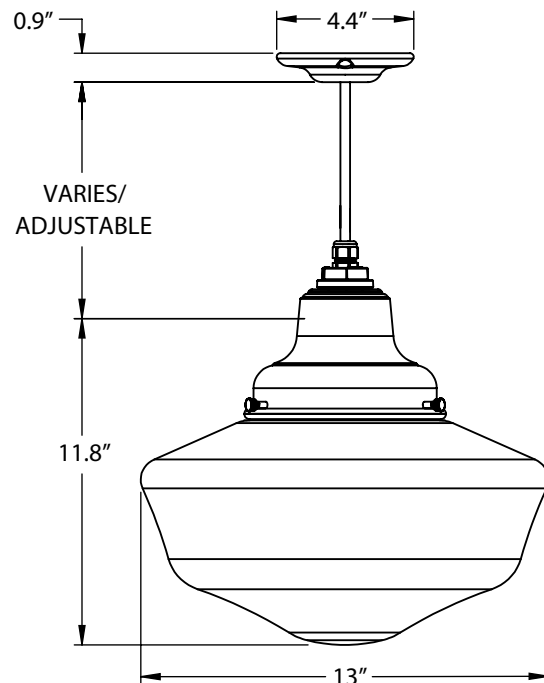
- E26** 100 Watt Max
- GU24** 24 Bi-Pin, 18W Max<sup>1</sup>

**IMPORTANT:** (1) Fixtures configured with a GU24 socket are non-returnable

**DIMENSIONAL DRAWING**



SHOWN WITH: SMALL GLASS



SHOWN WITH: LARGE GLASS

**LIGHT SOURCE**

All published luminaire photometric testing performed to IESNA LM-79-08 standards by a NVLAP accredited laboratory. Data is considered to be representative of the configurations shown, within the tolerances allowed by Lighting Facts. To obtain an IES file specific to your project, please contact the factory.

OPTION	WATTAGE	LUMENS <small>*Avg. value, actual value dependent on bulb used</small>	CRI	VOLTAGE	DIMMING
<b>INCANDESCENT (MED E26)</b>					
<b>E26</b>	100W Max	1400*	100	120 VAC	Bulb Dependant
<b>COMPACT FLOURESCENT (GU24 CFL)</b>					
<b>GU24</b>	18W Max	1400*	75	120 VAC	Bulb Dependant

**SPECIFICATIONS**

**MOUNTING**

**CORD**  
Cord-hung Pendants Include 7' Of Standard Cord Or 5' Of Cotton Cord, +/- For Socket Orientation

**CANOPY**  
Constructed of Durable Molded Ceramic

**FIXTURE & FINISHES**

**SCHOOLHOUSE FITTER**  
Hand-Spun, High Purity 0.050" Thick 3003-O Temper Aluminum

**POWDER COAT FINISHES**  
Polyester Powder Coat Finishes Are Electro-Staticly Applied and Thermocured to Glass

**CERTIFICATIONS, LISTINGS & WARRANTY**

**MADE IN THE USA**  
Manufactured and Hand-Crafted in Our 60,000 Square Foot Facility Located in Titusville, FL

**CSA LISTED FOR DAMP OR DRY LOCATIONS**  
Dependent on Cord Selection, Please Refer to Website for Additional Details

**LIMITED WARRANTY**  
For Additional Information on Our Limited Warranty, Please See Our Terms & Conditions