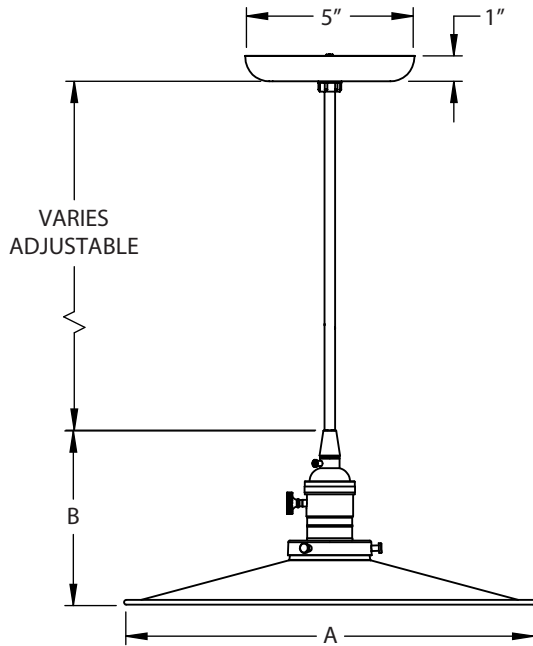


DIMENSIONAL DRAWING



SHADE CODE	DIAMETER (A)	HEIGHT (B)
FCC10	10"	4.9"
FCC12	12"	5.1"
FCC15	15"	5.6"

SOCKET FINISH & SWITCH



LIGHT SOURCE

All published luminaire photometric testing performed to IESNA LM-79-08 standards by a NVLAP accredited laboratory. Data is considered to be representative of the configurations shown, within the tolerances allowed by Lighting Facts. To obtain an IES file specific to your project, please contact the factory.

OPTION	WATTAGE	LUMENS	CRI	VOLTAGE	DIMMING
*Avg. value, actual value dependent on bulb used					
INCANDESCENT (MED E26)					
E26	60W Max	1400*	100	120 VAC	Bulb Dependant

SPECIFICATIONS

MOUNTING

CANOPY
5" Hand-Spun, High Purity 0.050" Thick 3003-O Temper Aluminum Canopy

LIGHT SOURCE

SOCKET
E26 Medium Base Socket, 60W Max

SHADE & FINISHES

THE CIRCLE B SHADE
Hand-Spun, High Purity 0.050" Thick 3003-O Temper Aluminum Shade

POWDER COAT FINISHES
Polyester Powdercoat Electro-Statically Applied and Thermocured

THE CONOCO PORCELAIN SHADE
Hand-Spun from 20 Gauge Sheet Metal

PORCELAIN FINISHES
Applied by Hand and Fired in a High Temperature Oven

CERTIFICATIONS, LISTINGS & WARRANTY

MADE IN THE USA
Manufactured and Hand-Crafted in Titusville, FL.

CSA LISTED FOR DAMP OR DRY LOCATIONS
CSA Listing Dependent on Cord Selection, Please Refer to Website for Additional Information

LIMITED WARRANTY
For Additional Information on our Limited Warranty, Please See our Terms & Conditions