



BLE - CUP3 - GRANITEWARE - _____ - _____
A B

Order Example: BLE - CUP3 - GRANITEWARE - 760 - 250

A - EXTERIOR FINISH

PORCELAIN GRANITEWARE FINISHES:

- 365** Jadite with Black Speckle
- 760** Cobalt with White Speckle
- 766** Delphite with White Speckle
- 860** Graphite with White Speckle

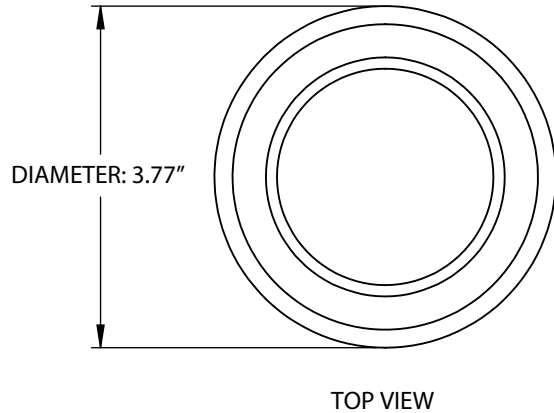
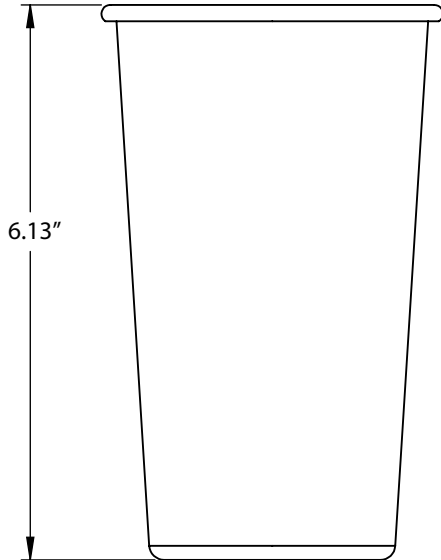
B - INTERIOR FINISH

PORCELAIN FINISHES:

- 150** Black
- 250** White
- 355** Jadite
- 750** Cobalt Blue
- 765** Delphite Blue
- 850** Graphite

IMPORTANT:

DIMENSIONAL DRAWING



SPECIFICATIONS

CERTIFICATIONS

MADE TO ORDER
 All Dinnerware Is Specifically Made According to a Customer's Specifications and No Two Pieces Are Alike

PASSING RESULTS FOR THE FOLLOWING THIRD PARTY TESTS
 US FDA CPG 545.450 and CPG 545.400 Extractable Lead and Cadmium. California Proposition 65, Tableware and Safety Program, Leachable Lead and Cadmium. FDA 21 CFR 175.300, Resinous and Polymeric Coatings.

DISHWASHER & OVEN SAFE
 While Dishwasher Safe, Barn Light Recommends Avoiding Harsh Detergents and Crowding in the Dishwasher. All Dinnerware Is Oven Safe up to 450° F/232° C.

DESIGN & FINISHES

MADE IN THE USA
 Manufactured and Hand-Crafted in Our 60,000 Square Foot Facility Located in Titusville, FL

CONSTRUCTION
 Hand-Spun from 20 Guage Sheet Metal Therefore Not Suitable for Microwave Use

PORCELAIN FINISHES
 Applied by Hand and Fired in a High Temperature Oven