



BLE - C - STU - _____ - _____ - _____ - _____ - _____ - _____ - _____
 _____ - _____
 _____ - _____
 _____ - _____

Order Example: BLE - C - STU - WHU12 - 750 - SBK - 24 - NA - NA - NA - E26

A - SHADE SIZE

- UNION:**
WHU10 10" Shade
WHU12 12" Shade
WHU14 14" Shade
WHU16 16" Shade

B - SHADE FINISH

- PORCELAIN FINISHES¹:**
150 Black
250 White
350 Vintage Green
355 Jadite
455 Cherry Red
550 Yellow
650 Bronze
750 Cobalt Blue
765 Delphite Blue
850 Graphite
950 Metallic Chrome

C - CORDS

- CSA LISTED CORD OPTIONS:**
SBK Standard Black
SWH Standard White
CSB Black Cloth
CSW White Cloth
CSR Red Cloth
CSBB Black & Brown Cloth
CSRW Red & White Cloth
CSGW Gold & White Cloth
CSBG Black & Gold Cloth
CSBW Black & White Cloth
CSBP Black & Pink Cloth
CSUW Blue & White Cloth

- NON-CSA LISTED CORD OPTIONS:**
CBK Black Cotton
CMG Grey Cotton
CRZ Red Chevron

D - CORD AND CABLE LENGTH

- 18** 18" Cable and Cord
24 24" Cable and Cord
30 30" Cable and Cord
36 36" Cable and Cord
42 42" Cable and Cord

E - SHADE ACCESSORIES

- NA** None
WC Wire Cage
TGG Heavy Duty Guard
CGG Cast Guard
WGG Wire Guard

F - GLASS OPTION

- NA** Not Applicable
CLR Clear Glass
FST Frosted Glass
RIB Ribbed Glass
CCR Clear Crackle Glass
SMK Smoke Crackle Glass
HCR Honey Crackle Glass

G - SHADE ACCESSORY FINISH

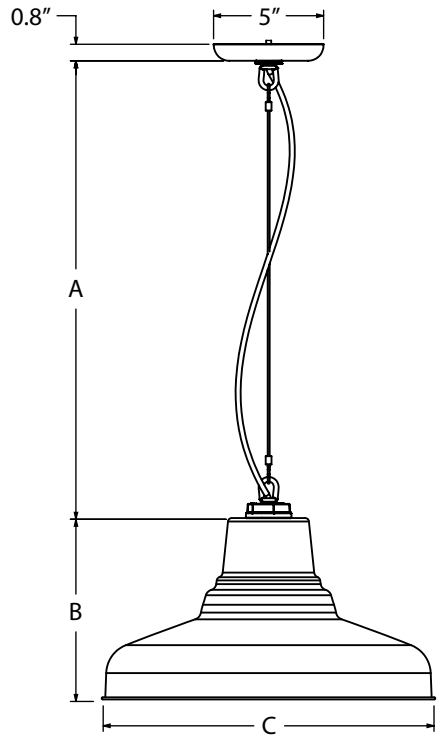
*Please Note: See Section B for all applicable Finish Options.
 (I) If no accessory is selected in Section E, select NA
 (II) 975-Galvanized Finish also available
 (III) If Porcelain Finish selected, accessory will be powder coat painted-to-match*
NA Not Applicable
975 Galvanized

H - SOCKET TYPE

- E26** 200 Watt Max²
GU24 24 Bi-Pin, 23W Max^{2,3}

IMPORTANT: (1) All Porcelain Enamel finished shades feature a white interior and a black outer rim (2) Guard and Glass accessory reduces incandescent wattage to 100W Max and GU24 Bi-Pin to 18W Max (3) Fixtures configured with GU24 socket are non-returnable

DIMENSIONAL DRAWING



CABLE & CORD	TOTAL LENGTH (A)
18 18" Cable & Cord	20.8"
24 24" Cable & Cord	26.8"
30 30" Cable & Cord	32.8"
36 36" Cable & Cord	38.8"
42 42" Cable & Cord	44.8"

SHADE CODE	HEIGHT (B)	DIAMETER (C)
WHU10	7"	10"
WHU12	7"	12"
WHU14	7.5"	14"
WHU16	8.5"	16"

LIGHT SOURCE

All published luminaire photometric testing performed to IESNA LM-79-08 standards by a NVLAP accredited laboratory. Data is considered to be representative of the configurations shown, within the tolerances allowed by Lighting Facts. To obtain an IES file specific to your project, please contact the factory.

OPTION	WATTAGE	LUMENS <small>*Avg. value, actual value dependent on bulb used</small>	CRI	VOLTAGE	DIMMING
INCANDESCENT (MED E26)					
E26	200W Max	*3000	*100	120 VAC	Bulb Dependant
COMPACT FLOURESCENT (GU24 CFL)					
GU24	23W Max	*1600	*75	120 VAC	Bulb Dependant

SPECIFICATIONS

CERTIFICATIONS, LISTINGS & WARRANTY

MADE IN THE USA
 Manufactured and Hand-Crafted in Our 60,000 Square Foot Facility
 Located in Titusville, FL

CSA LISTED FOR DAMP LOCATIONS

LIMITED WARRANTY
 For Additional Information on Our Limited Warranty, Please See
 Our Terms & Conditions

SHADE & FINISHES

UNION PORCELAIN SHADE
 Hand-Spun from 20 Guage Sheet Metal
 PORCELAIN FINISHES
 Applied by Hand and Fired in a High Temperature Oven

MOUNTING

STUDIO CABLE
 Constructed with 3/32" Galvanized Steel Wire Cable
 CANOPY
 5" Canopy Hand-Spun from 20 Gauge Sheet Metal, Galvanized
 Finish