



BLE - _____ - RGU - _____ - _____ - _____ - _____
 A B C D E

Order Example: BLE - WVG3 - RGU - 400 - FST - LED16.8 - 2700K

A - MOUNTING OPTION

- WVG3** Straight Arms
- WVS3** Gooseneck Arms

B - FINISHES

POWDER COAT FINISHES:

- 100** Black
- 105** Textured Black
- 200** White
- 300** Dark Green
- 307** Emerald Green
- 311** Jadite
- 370** Mint
- 380** Chartreuse
- 390** Teal
- 400** Barn Red

B - FINISHES (CONTINUED)

POWDER COAT FINISHES:

- 420** Orange
- 470** Watermelon
- 480** Blush Pink
- 490** Magenta
- 500** Buttery Yellow
- 570** Sunflower
- 600** Bronze
- 601** Chocolate
- 605** Rust
- 615** Oil-Rubbed Bronze
- 700** Royal Blue
- 705** Navy
- 710** Cobalt Blue
- 715** Delphite Blue
- 800** Industrial Grey

B - FINISHES (CONTINUED)

POWDER COAT FINISHES:

- 805** Charcoal Granite
- 810** Graphite
- 975** Galvanized

C - GLASS OPTIONS

- NA** None
- CLR** Clear Glass¹
- FST** Frosted Glass
- RIB** Ribbed Glass
- CCR** Clear Crackle Glass
- SMK** Smoke Crackle Glass
- HCR** Honey Crackle Glass

D - LIGHT SOURCE

- E26** 100 Watt Max
- GU24** 24 Bi-Pin, 18W Max²
- LED16.8** 1600 Lumen, 16W LED

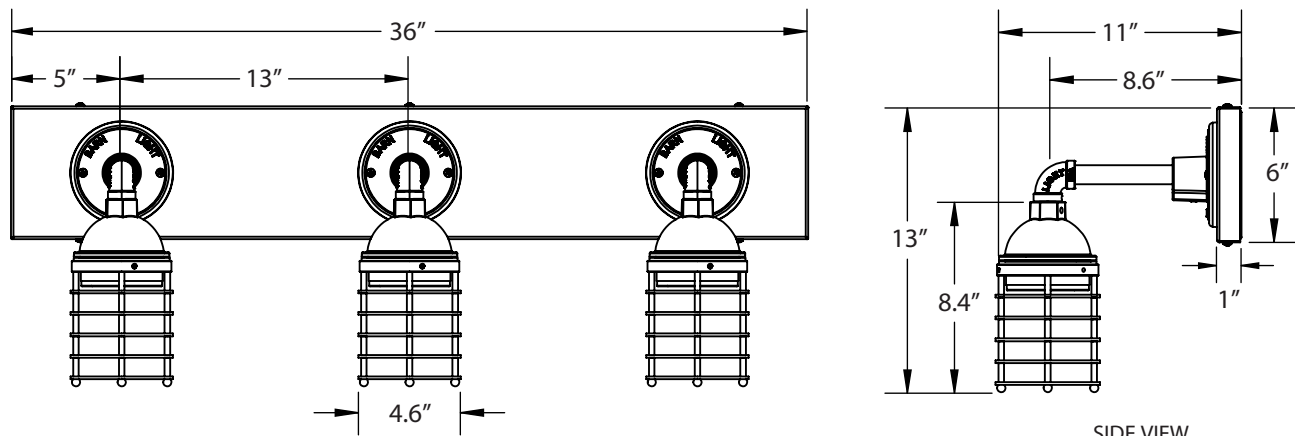
E - COLOR TEMPERATURE³

- NA** Not Applicable
- 2700K** 2700K, Warm White
- 3000K** 3000K, Neutral White
- 3500K** 3500K, Bright White
- 4000K** 4000K, Cool White

IMPORTANT: (1) Clear Glass not recommended if LED16.8 Light Source selected in Section D (2) Fixtures configured with a GU24 socket are non-returnable (3) Option only applicable if LED16.8 Light Source is selected in Section D, select NA if another source selected

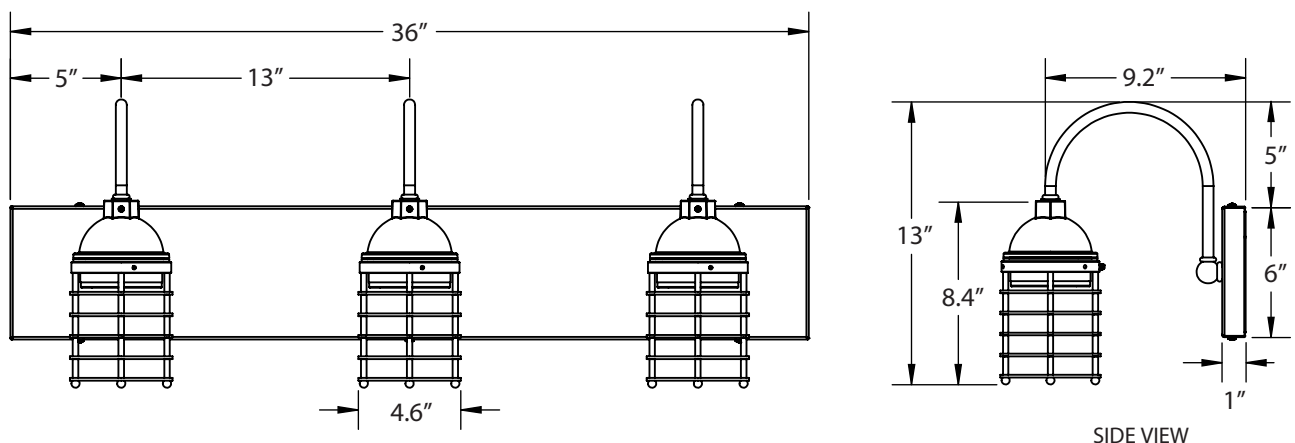
DIMENSIONAL DRAWING

STRAIGHT ARM TRIPLE VANITY LIGHT (WVG3)



SIDE VIEW

GOOSENECK ARM TRIPLE VANITY LIGHT (WVS3)



SIDE VIEW

LIGHT SOURCE

All published luminaire photometric testing performed to IESNA LM-79-08 standards by a NVLAP accredited laboratory. Data is considered to be representative of the configurations shown, within the tolerances allowed by Lighting Facts. To obtain an IES file specific to your project, please contact the factory.

OPTION	WATTAGE	LUMENS <small>*Avg. value, actual value dependent on bulb used</small>	CRI	VOLTAGE	DIMMING
INCANDESCENT (MED E26)					
E26	100W Max	1600*	100*	120 VAC	Bulb Dependant
COMPACT FLOURESCENT (GU24 CFL)					
GU24	18W Max	1600*	75*	120 VAC	Bulb Dependant
LED					
LED16.8	16.8W	1600	>90	120 VAC	TRIAC

SPECIFICATIONS

LED SPECIFICATIONS

LUMEN MAINTENANCE

LED16.8 Source is L90(11K) > 61,000 Hours.

COLOR TEMPERATURES

Standard Color Temperatures Available Include 2700K, 3000K, 3500K and 4000K. Custom Temperatures Available upon Request.

CRI

Minimum 90 CRI, Consult Factory for Other CRI Options

EFFICACY

Delivers over 95 Lumens per Watt

DRIVER & DIMMING OPTION

Reliant on Triac Dimming 16.8W / 120V, Dimmable down to 1% Depending on Dimmer. Requires Compatible Dimming Switch.

CERTIFICATIONS, LISTINGS & WARRANTY

MADE IN THE USA

Manufactured and Hand-Crafted in Our 60,000 Square Foot Facility Located in Titusville, FL

CSA LISTED FOR DAMP LOCATIONS

LIMITED WARRANTY

For Additional Information on Our Limited Warranty, Please See Our Terms & Conditions

DESIGN & FINISHES

BACKING PLATE

Constructed from 19 Gauge Galvanized Steel

POWDER COAT FINISHES

Polyester Powder Coat Finishes Are Electro-Statically Applied and Thermocured on Fixture and Backing Plate