



BLE - W - _____ - _____ - _____ - _____ - _____ - _____
 A B C D E F

Order Example: BLE - W - LAR10 - 705 - L-WL - CSUW - NA - E26

A - SHADE SIZE

THE LARAMIE:
LAR8 8" Shade
LAR10 10" Shade

B - FINISHES

POWDER COAT FINISHES¹:
100 Black
105 Textured Black
200 White
300 Dark Green
307 Emerald Green
311 Jadite
370 Mint
380 Chartreuse
390 Teal
400 Barn Red
420 Orange
470 Watermelon
480 Blush Pink
490 Magenta
500 Buttery Yellow
570 Sunflower
600 Bronze
601 Chocolate
605 Rust
615 Oil-Rubbed Bronze
700 Royal Blue
705 Navy
710 Cobalt Blue
715 Delphite Blue
800 Industrial Grey
805 Charcoal Granite
810 Graphite
975 Galvanized

C - PLUG-IN OPTION

NA None
L-WL Plug with Inline On/Off Switch

D - PLUG-IN CORD OPTION

NA Not Applicable
CSA LISTED CORD OPTIONS:
SBK Standard Black Cord
SWH Standard White Cord
CSB Black Cloth Cord
CSW White Cloth Cord
CSR Red Cloth Cord
CSBW Black & White Cloth
CSRW Red & White Cloth
CSBG Black & Gold Cloth
CSBP Black & Pink Cloth
CSGW Gold & White Cloth
CSUW Blue & White Cloth
CSBB Black & Brown Cloth
NON-CSA LISTED CORD OPTIONS:
CRZ Red Chevron
CMG Grey Cotton

E - DUSK-TO-DAWN PHOTOCELL²

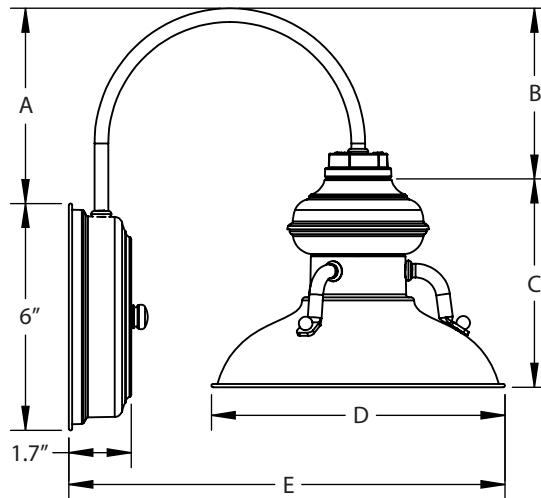
NA None/Not Applicable
DD Dusk-to-Dawn Photocell²

F - LIGHT SOURCE

E26 200 Watt Max
GU24 24 Bi-Pin, 23W Max³

IMPORTANT: (1) All Powder Coat finished shades, with the exception of Galvanized, feature a white interior (2) Not applicable if Plug with Inline On/Off Switch selected in Section C (3) Fixtures configured with GU24 socket are non-returnable

DIMENSIONAL DRAWING



SHADE CODE	A	B	C	D	E
LAR8	5.3"	4.7"	5.7"	8"	12"
LAR10	7"	5"	6.7"	10"	13"

LIGHT SOURCE

All published luminaire photometric testing performed to IESNA LM-79-08 standards by a NVLAP accredited laboratory. Data is considered to be representative of the configurations shown, within the tolerances allowed by Lighting Facts. To obtain an IES file specific to your project, please contact the factory.

OPTION	WATTAGE	LUMENS <small>*Avg. value, actual value dependent on bulb used</small>	CRI	VOLTAGE	DIMMING
INCANDESCENT (MED E26)					
E26	200W Max	3000*	100*	120 VAC	Bulb Dependant
COMPACT FLOURESCENT (GU24 CFL)					
GU24	23W Max	1600*	75*	120 VAC	Bulb Dependant

SPECIFICATIONS

CERTIFICATIONS, LISTINGS & WARRANTY

MADE IN THE USA
 Manufactured and Hand-Crafted in Our 60,000 Square Foot Facility
 Located in Titusville, FL

CSA LISTED FOR WET LOCATIONS
 If Plug-In Option Selected, CSA Listed for Damp Locations Only

LIMITED WARRANTY
 For Additional Information on Our Limited Warranty, Please See
 Our Terms & Conditions

SHADE & FINISHES

THE LARAMIE SHADE
 Hand-Spun from High Purity 0.050" Thick 3003-O Temper
 Aluminum

POWDER COAT FINISHES
 Polyester Powder Coat Finishes Are Electro-Statically Applied and
 Thermocured

BACKING PLATE
 Hand-Spun from High Purity 0.050" Thick 3003-O Temper
 Aluminum

WALL SCONCE ARM
 1/4" Nominal (0.50" Actual) Aluminum Mounting Arm