



REV 09.11.18  
**THE KAO SCHOOLHOUSE FLUSH MOUNT**  
 BARN LIGHT SCHOOLHOUSE COLLECTION  
 Max Weight: 10.0 lbs

PROJECT NAME \_\_\_\_\_  
 PROJECT TYPE \_\_\_\_\_

**SPS-0040**

BLE - F - SCH - KAO - \_\_\_\_\_ - \_\_\_\_\_ - \_\_\_\_\_ - \_\_\_\_\_  
 A B C D

Order Example: BLE - F - SCH - KAO - SCH14 - 300 - PB2 - 300

**A - GLASS STYLE**

**SCH10** Small Opaque Glass  
**SCH14** Large Opaque Glass  
**SCHCL10** Small Clear Glass  
**SCHCL14** Large Clear Glass

**B - FINISHES**

**POWDER COAT FINISHES:**

**100** Black  
**105** Textured Black  
**200** White  
**300** Dark Green  
**307** Emerald Green  
**311** Jadite  
**370** Mint  
**380** Chartreuse  
**390** Teal  
**400** Barn Red  
**420** Orange  
**470** Watermelon  
**480** Blush Pink  
**490** Magenta  
**500** Buttery Yellow  
**570** Sunflower  
**600** Bronze  
**601** Chocolate  
**605** Rust  
**615** Oil-Rubbed Bronze  
**700** Royal Blue  
**705** Navy  
**710** Cobalt Blue  
**715** Delphite Blue  
**800** Industrial Grey  
**805** Charcoal Granite  
**810** Graphite  
**975** Galvanized

**C - PAINTED BAND**

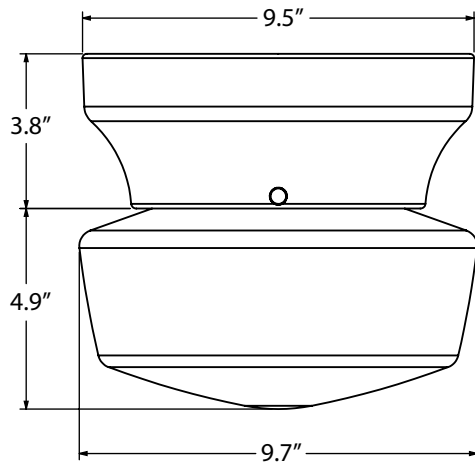
**NA** No Painted Band  
**PB1** Single Painted Band  
**PB2** Double Painted Band  
**PB3** Triple Painted Band

**D - PAINTED BAND FINISH**

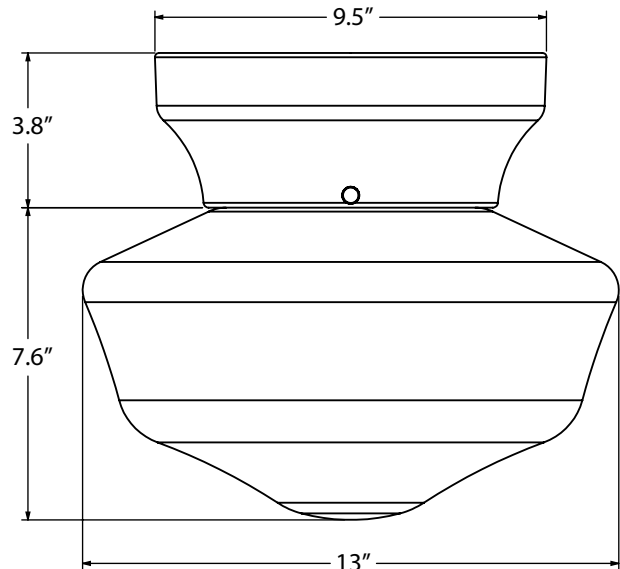
**NA** Not Applicable  
**100** Black  
**200** White<sup>1</sup>  
**307** Emerald Green  
**311** Jadite  
**390** Teal  
**400** Barn Red  
**490** Magenta  
**500** Buttery Yellow  
**600** Bronze  
**700** Royal Blue  
**705** Navy  
**715** Delphite Blue

**IMPORTANT:** (1) White finish not recommended if Opaque Glass is selected in Section A, as it blends into opaque glass

**DIMENSIONAL DRAWING**



SHOWN WITH: SMALL GLASS



SHOWN WITH: LARGE GLASS

**LIGHT SOURCE**

All published luminaire photometric testing performed to IESNA LM-79-08 standards by a NVLAP accredited laboratory. Data is considered to be representative of the configurations shown, within the tolerances allowed by Lighting Facts. To obtain an IES file specific to your project, please contact the factory.

| OPTION                        | WATTAGE  | LUMENS<br><small>*Avg. value, actual value dependent on bulb used</small> | CRI  | VOLTAGE | DIMMING        |
|-------------------------------|----------|---|------|---------|----------------|
| <b>INCANDESCENT (MED E26)</b> |          |   |      |         |                |
| <b>E26</b>                    | 100W Max | 1600*   | 100* | 120 VAC | Bulb Dependant |

**SPECIFICATIONS**

**CERTIFICATIONS, LISTINGS & WARRANTY**

MADE IN THE USA  
 Manufactured and Hand-Crafted in Our 60,000 Square Foot Facility  
 Located in Titusville, FL

CSA LISTED FOR DAMP LOCATIONS

LIMITED WARRANTY  
 For Additional Information on Our Limited Warranty, Please See  
 Our Terms & Conditions

**DESIGN**

MATERIALS  
 Fitter Constructed from Durable Porcelain Ceramic

POWDER COAT FINISHES  
 Polyester Powder Coat Finishes are Electro-Staticly Applied and  
 Thermocured