



REV 10.25.18

THE BREWSTER PENDANT

BARN LIGHT PENDANT FAMILY

Max Weight: 10.0 lbs

PROJECT NAME _____

PROJECT TYPE _____

SPS-0034

BLE - C - ULBR - _____ - _____ - _____ - _____ - _____ - _____
A B C D E F

Order Example: BLE - C - ULBR - 998 - CSGW - 998 - CCR - LED16.8 - 3500K

A - FINISHES

POWDER COAT FINISHES:

- 100** Black
- 105** Textured Black
- 200** White
- 300** Dark Green
- 307** Emerald Green
- 311** Jadite
- 370** Mint
- 380** Chartreuse
- 390** Teal
- 400** Barn Red
- 420** Orange
- 470** Watermelon
- 480** Blush Pink
- 490** Magenta
- 500** Buttery Yellow
- 570** Sunflower
- 600** Bronze
- 601** Chocolate
- 605** Rust
- 615** Oil-Rubbed Bronze
- 700** Royal Blue
- 705** Navy
- 710** Cobalt Blue
- 715** Delphite Blue
- 800** Industrial Grey
- 805** Charcoal Granite
- 810** Graphite
- 975** Galvanized

A - FINISHES (CONTINUED)

NATURAL FINISHES¹:

- 995** Raw Copper
- 996** Weathered Copper
- 997** Raw Brass
- 998** Weathered Brass
- 999** Oil-Rubbed Copper

B - CORDS

CSA LISTED CORD OPTIONS:

- SBK** Standard Black
- SWH** Standard White
- CSB** Black Cloth
- CSW** White Cloth
- CSR** Red Cloth
- CSBB** Black & Brown Cloth
- CSRW** Red & White Cloth
- CSGW** Gold & White Cloth
- CSBG** Black & Gold Cloth
- CSBW** Black & White Cloth
- CSBP** Black & Pink Cloth
- CSUW** Blue & White Cloth

NON-CSA LISTED CORD OPTIONS:

- CBK** Black Cotton
- CMG** Grey Cotton
- CRZ** Red Chevron

B - CORDS (CONTINUED)

NON-CSA LISTED CORD OPTIONS:

- TBK** Black Cotton Twist
- TWH** White Cotton Twist
- TBR** Brown Cotton Twist
- TRD** Red Cotton Twist
- TPT** Putty Cotton Twist
- TBW** Black & White Twist
- TRW** Red & White Twist
- TBB** Brown & Beige Twist

C - CEILING CANOPY FINISH

See **Section A** for all applicable canopy finish options.

D - GLASS OPTIONS

- CLR** Clear Glass²
- FST** Frosted Glass
- RIB** Ribbed Glass
- CCR** Clear Crackle Glass
- SMK** Smoke Crackle Glass
- HCR** Honey Crackle Glass

E - LIGHT SOURCE

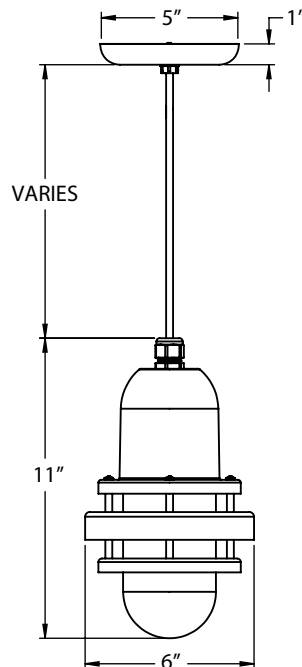
- E26** 100 Watt Max
- GU24** 24 Bi-Pin, 18W Max³
- LED16.8** 16.8W LED, 1600 Lumen

F - COLOR TEMPERATURE⁴

- NA** Not Applicable
- 2700K** 2700K, Warm White
- 3000K** 3000K, Neutral White
- 3500K** 3500K, Bright White
- 4000K** 4000K, Cool White

IMPORTANT: (1) Natural Finishes have a longer estimated lead time, please refer to website for exact manufacturing time. There are no returns accepted on Natural Finishes. (2) Clear Glass not recommended if LED16.8 Light Source selected in Section E (3) Fixtures configured with a GU24 socket are non-returnable (4) Only applicable if LED16.8 Light Source is selected in Section E, select NA if non-LED source selected

DIMENSIONAL DRAWING



LIGHT SOURCE

All published luminaire photometric testing performed to IESNA LM-79-08 standards by a NVLAP accredited laboratory. Data is considered to be representative of the configurations shown, within the tolerances allowed by Lighting Facts. To obtain an IES file specific to your project, please contact the factory.

OPTION	WATTAGE	LUMENS <small>*Avg. value, actual value dependent on bulb used</small>	CRI	VOLTAGE	DIMMING
INCANDESCENT (MED E26)					
E26	100W Max	1600*	100*	120 VAC	Bulb Dependant
COMPACT FLOURESCENT (GU24 CFL)					
GU24	18W Max	1600*	75*	120 VAC	Bulb Dependant
LED					
LED16.8	16.8W	1600	>90	120 VAC	TRIAC

SPECIFICATIONS

LED SPECIFICATIONS

LUMEN MAINTENANCE

LED16.8 Source is L90(11K) > 61,000 Hours.

COLOR TEMPERATURES

Standard Color Temperatures Available Include 2700K, 3000K, 3500K and 4000K. Custom Temperatures Available upon Request.

CRI

Minimum 90 CRI, Consult Factory for Other CRI Options

EFFICACY

Delivers over 95 Lumens per Watt

DRIVER & DIMMING OPTION

Reliant on Triac Dimming 16.8W / 120V, Dimmable down to 1% Depending on Dimmer. Requires Compatible Dimming Switch.

CERTIFICATIONS, LISTINGS & WARRANTY

MADE IN THE USA

Manufactured and Hand-Crafted in Our 60,000 Square Foot Facility Located in Titusville, FL

LIMITED WARRANTY

For Additional Information on Our Limited Warranty, Please See Our Terms & Conditions

DESIGN & FINISHES

CANOPY

5" Hand-Spun, High Purity 0.050" Thick 3003-O Temper Aluminum Canopy

CORD

Cord-hung Pendants Include 7' Of Standard Cord Or 5' Of Cotton Cord, +/- For Socket Orientation

POWDER COAT FINISHES

Polyester Powder Coat Finishes Are Electro-Statically Applied and Thermocured on Fixture and Canopy