



REV 09.10.18

THE PARSON ADJUSTABLE ARM CHANDELIER

BARN LIGHT CHANDELIER COLLECTION

Max Weight: 10.0 lbs

PROJECT NAME _____

PROJECT TYPE _____

SPS-0001

BLE - S - CH027 - _____ **A** _____ **B** _____

Order Example: BLE - S - CH027 - 100 - 24

A - FINISHES

POWDER COAT FINISHES:

- 100** Black
- 105** Textured Black
- 200** White
- 300** Dark Green
- 307** Emerald Green
- 311** Jadite
- 370** Mint
- 380** Chartreuse
- 390** Teal
- 400** Barn Red
- 420** Orange
- 470** Watermelon
- 480** Blush Pink
- 490** Magenta
- 500** Buttery Yellow
- 570** Sunflower

A - FINISHES (CONTINUED)

POWDER COAT FINISHES:

- 600** Bronze
- 601** Chocolate
- 605** Rust
- 615** Oil-Rubbed Bronze
- 700** Royal Blue
- 705** Navy
- 710** Cobalt Blue
- 715** Delphite Blue
- 800** Industrial Grey
- 805** Charcoal Granite
- 810** Graphite
- 975** Galvanized

NATURAL FINISHES¹:

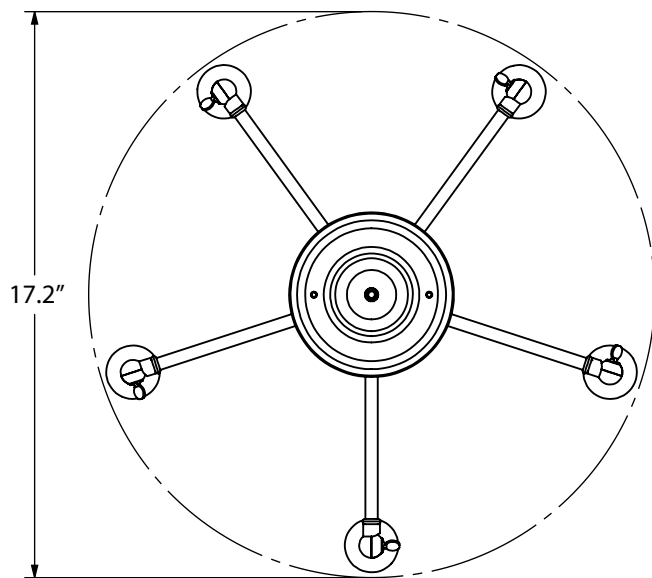
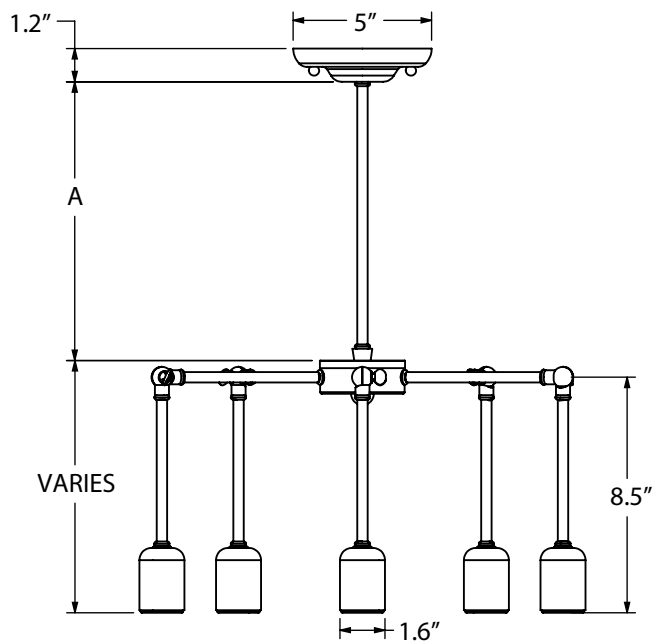
- 997** Raw Brass
- 998** Weathered Brass

B - MOUNTING OPTION

- 6** 6" Stem
- 12** 12" Stem
- 18** 18" Stem
- 24** 24" Stem
- 36** 36" Stem

IMPORTANT: (1) Natural Finishes have a longer estimated lead time, please check the website for exact manufacturing time. There are no returns accepted on Natural Finishes.

DIMENSIONAL DRAWING



TOP VIEW

STEM LENGTH	MOUNTING LENGTH (A)
6 (6" Stem)	6"
12 (12" Stem)	12"
18 (18" Stem)	18"
24 (24" Stem)	24"
36 (36" Stem)	36"

LIGHT SOURCE

All published luminaire photometric testing performed to IESNA LM-79-08 standards by a NVLAP accredited laboratory. Data is considered to be representative of the configurations shown, within the tolerances allowed by Lighting Facts. To obtain an IES file specific to your project, please contact the factory.

OPTION	WATTAGE	LUMENS <small>*Avg. value, actual value dependent on bulb used</small>	CRI	VOLTAGE	DIMMING
INCANDESCENT (MED E26)					
E26	60W Max	800*	100*	120 VAC	Bulb Dependant

SPECIFICATIONS

CERTIFICATIONS, LISTINGS & WARRANTY

MADE IN THE USA
 Manufactured and Hand-Crafted in Our 60,000 Square Foot Facility
 Located in Titusville, FL

CSA LISTED FOR DRY LOCATIONS

LIMITED WARRANTY
 For Additional Information on Our Limited Warranty, Please See
 Our Terms & Conditions

DESIGN

MOUNTING STEM
 Crafted from 1/8" Diameter Aluminum Tubing

POWDER COAT FINISHES
 Polyester Powder Coat Finishes Are Electro-Statically Applied and
 Thermocured