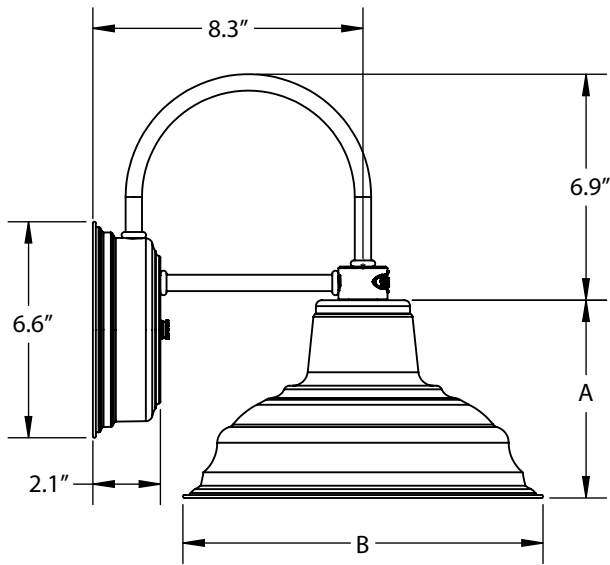




**DIMENSIONAL DRAWING**



SHADE CODE	HEIGHT (A)	DIAMETER (B)
WHB11	6"	11"
WHB13	6"	13"

**LIGHT SOURCE**

All published luminaire photometric testing performed to IESNA LM-79-08 standards by a NVLAP accredited laboratory. Data is considered to be representative of the configurations shown, within the tolerances allowed by Lighting Facts. To obtain an IES file specific to your project, please contact the factory.

OPTION	WATTAGE	LUMENS <small>*Avg. value, actual value dependent on bulb used</small>	CRI	VOLTAGE	DIMMING
<b>LEDS</b>					
LED11	11W	850	>90	120 VAC	TRIAC
LED16	16W	1250	>90	120 VAC	TRIAC
LED16.8	16W	1600	>90	120 VAC	TRIAC
<b>INCANDESCENT (MED E26)</b>					
E26	200W Max	3000*	100*	120 VAC	Bulb Dependant
<b>COMPACT FLOURESCENT (GU24 CFL)</b>					
GU24	23W Max	1600*	75*	120 VAC	Bulb Dependant

**SPECIFICATIONS**

**CERTIFICATIONS, LISTINGS & WARRANTY**

MADE IN THE USA  
 Manufactured and Hand-Crafted in Our 60,000 Square Foot Facility  
 Located in Titusville, FL

CSA LISTED FOR WET LOCATIONS  
 If Plug-In Option Selected, CSA Listed for Damp Locations Only

LIMITED WARRANTY  
 For Additional Information on Our Limited Warranty, Please See  
 Our Terms & Conditions

**SHADE & FINISHES**

OLD DIXIE SHADE  
 Hand-Spun from High Purity 0.050" Thick 3003-O Temper  
 Aluminum

BOMBER PORCELAIN SHADE  
 Hand-Spun from 20 Guage Sheet Metal

POWDER COAT FINISHES  
 Polyester Powder Coat Finishes Are Electro-Statically Applied and  
 Thermocured

PORCELAIN FINISHES  
 Applied by Hand and Fired in a High Temperature Oven

**SPECIFICATIONS (CONTINUED)**

**LED SPECIFICATIONS**

LUMEN MAINTENANCE

L90(6K) > 36,300 Hours

COLOR TEMPERATURES

Standard Color Temperatures Available Include 2700K, 3000K, 3500K and 4000K. Custom Temperatures Available upon Request.

CRI

Minimum 90 CRI. Consult Factory for Other CRI Options.

EFFICACY

Up to 100 LPW Based on Wattage/Lumens in the Table

DRIVER & DIMMING OPTION

850 and 1250 Lumen, Reliant on Triac Dimming 12W / 120V Mounted in Canopy, up to 5% Dimming

**DESIGN**

BACKING PLATE

Hand-Spun from High Purity 0.050" Thick 3003-O Temper Aluminum

WALL SCONCE ARM

1/4" Nominal (0.50" Actual) Steel/Aluminum Mounting Arm