



REV 08.02.18

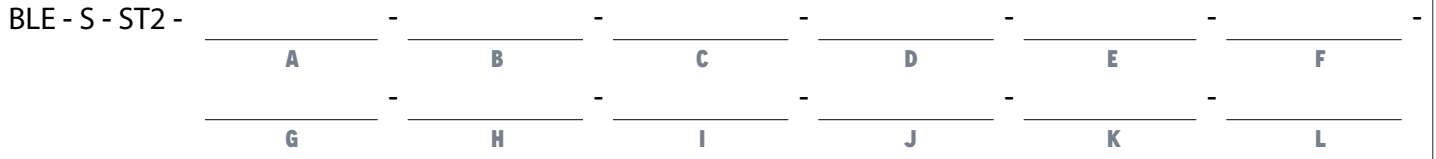
THE OUTFIELD/GRIDIRON LED 2-LIGHT STEM MOUNT PENDANT

BARN LIGHT LINEUP COLLECTION
Max Weight: 26.0 lbs

PROJECT NAME _____

PROJECT TYPE _____

SPS-0265



Order Example: BLE - S - ST2 - OIL20 - 950 - 200 - ST718 - 12 - 950 - RIB - WGG - 200 - NA - LED42 - 3000K

A - SHADE SIZE

- OIL12** 12" Diameter
- OIL14** 14" Diameter
- OIL16** 16" Diameter
- OIL18** 18" Diameter
- OIL20** 20" Diameter

B - FINISHES

PORCELAIN FINISHES:

- 150** Black
- 250** White
- 350** Vintage Green
- 355** Jadite
- 455** Cherry Red
- 550** Yellow
- 650** Bronze
- 750** Cobalt Blue
- 765** Delphite Blue
- 850** Graphite
- 950** Metallic Chrome

POWDER COAT FINISHES:

- 100** Black
- 105** Textured Black
- 200** White
- 300** Dark Green
- 307** Emerald Green
- 370** Mint
- 380** Chartreuse
- 390** Teal
- 400** Barn Red
- 420** Orange
- 470** Watermelon
- 480** Blush Pink
- 490** Magenta
- 500** Buttery Yellow
- 570** Sunflower
- 600** Bronze
- 601** Chocolate
- 605** Rust
- 615** Oil-Rubbed Bronze
- 700** Royal Blue
- 705** Navy
- 800** Industrial Grey
- 805** Charcoal Grey
- 975** Galvanized
- 980** Brushed Aluminum

B - FINISHES (CONTINUED)

NATURAL FINISHES:

- 995** Raw Copper
- 996** Weathered Copper
- 997** Raw Brass
- 998** Weathered Brass
- 999** Oil-Rubbed Copper

C - HEAT SINK FINISH³

Please Note: See **Section B** for all Finish Options, Natural Finishes not applicable for heat sink. If porcelain finish is selected, heat sink will be powder coat painted-to-match

D - STEM LENGTH

- ST706** .75" Stem Mount, 6"
- ST712** .75" Stem Mount, 12"
- ST718** .75" Stem Mount, 18"
- ST724** .75" Stem Mount, 24"
- ST736** .75" Stem Mount, 36"
- ST748** .75" Stem Mount, 48"

E - ARM LENGTH

- 12** 2 - 12" Mounting Arms
- 18** 2 - 18" Mounting Arms

F - MOUNTING FINISH³

Please Note: See **Section B** for all Finish Options, Natural Finishes not applicable for mounting. If porcelain finish is selected, mounting will be powder coat painted-to-match

G - GLASS

- CLR** Clear Glass
- FST** Frosted Glass
- RIB** Ribbed Glass
- CCR** Clear Crackle Glass¹
- SMK** Smoke Crackle Glass¹
- HCR** Honey Crackle Glass¹

H - OPTIONAL GUARD/ WIRE CAGE

- NA** Not Applicable/None
- CGG** Standard Cast Guard
- WGG** Wire Guard
- TGG** Heavy Duty Cast Guard
- WC** Wire Cage

I - GUARD/CAGE FINISH²

Please Note: See **Section B** for all Finish Options, Natural Finishes not applicable for guard. If porcelain finish is selected, guard will be powder coat painted-to-match

J - OPTIONAL SUPPORT CABLE

- NA** None, No Support Cable
- CBL** Support Cable

K - LIGHT SOURCE

- LED42** 42W LED per head (84W LED total)
- LED48** 48W LED per head (96W LED total)
- LED57** 57W LED per head (114W LED total)
- LED62** 62W LED per head (124W LED total)
- LED70** 70W LED per head (140W LED total)

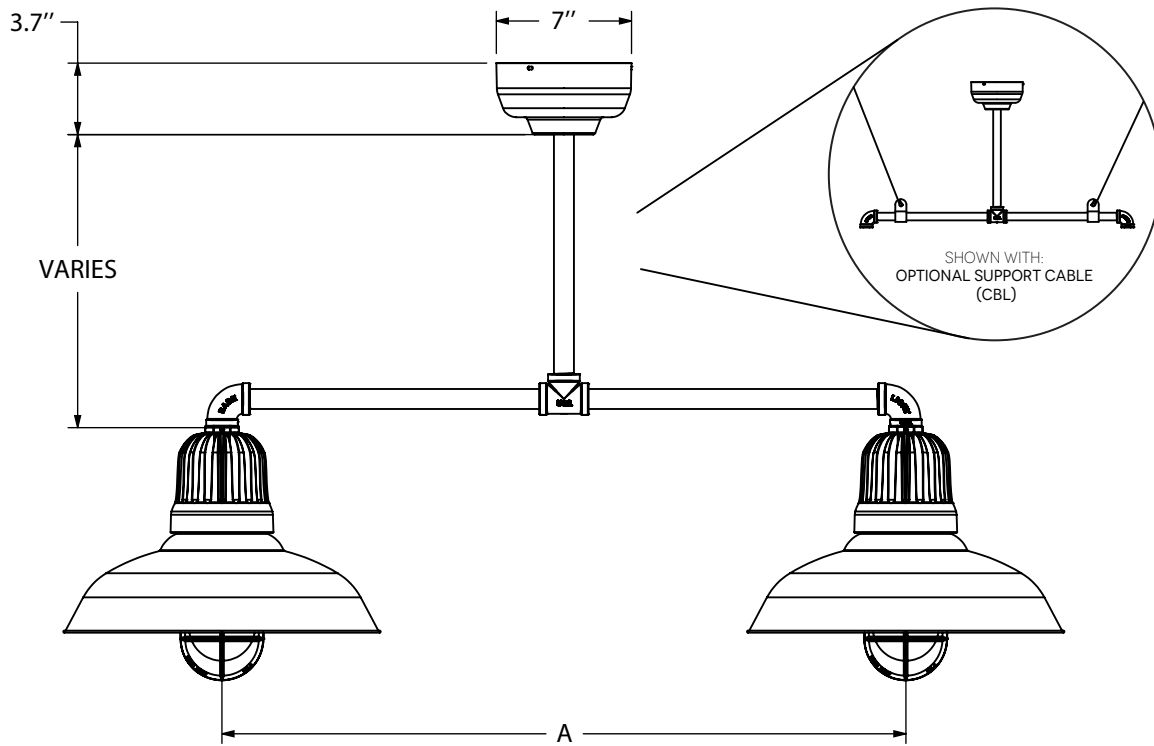
Please reference table on **Page 3** for lumen values of all light source options

L - COLOR TEMPERATURE

- 2700K** 2700K, Warm White
- 3000K** 3000K, Neutral White
- 3500K** 3500K, Bright White
- 4000K** 4000K, Cool White
- 5000K** 5000K, Daylight

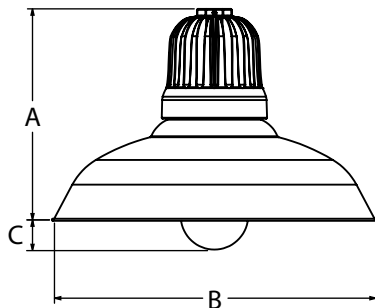
IMPORTANT: (1) Glass styles will change CCT, please consult factory for additional details (2) Not available in Natural Finishes

MOUNTING STYLE

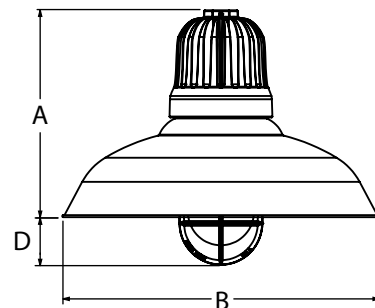


ARM LENGTH SELECTION	TOTAL LENGTH (A)
12 (2 - 12" Mounting Arms)	27"
18 (2 - 18" Mounting Arms)	39"

AVAILABLE SHADE SIZES



SHOWN WITH: GLASS ONLY
(CLR, FST, RIB, CCR, SMK OR HCR)



SHOWN WITH: OPTIONAL GUARD
(WGG, CGG OR TGG) & GLASS

SHADE CODE	HEIGHT (A)	DIAMETER (B)	LENGTH BELOW SHADE	
			(C)	(D)
OIL12	10"	12"	2"	3"
OIL14	10"	14"	2"	3"
OIL16	10.4"	16"	1.4"	2.4"
OIL18	11.4"	18"	0.4"	1.4"
OIL20	12"	20"	1"	2"

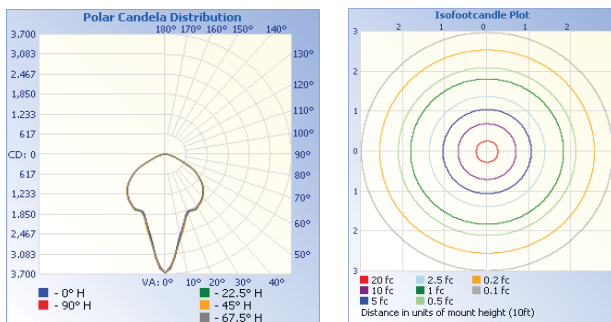
LIGHT SOURCE

All published luminaire photometric testing performed to IESNA LM-79-08 standards by a NVLAP accredited laboratory. Data is considered to be representative of the configurations shown, within the tolerances allowed by Lighting Facts. To obtain an IES file specific to your project, please contact the factory. Please Note: Lumen values and fixture wattage listed below are representative of per head totals, multiply by two for value of entire fixture.

LED	Drive Current	System Watts	CRI	2700K		3000K		3500K		4000K		5000K		
				Cage Guard	90CRI		90CRI		90CRI		90CRI		90CRI	
					Lumens	LPW	Lumens	LPW	Lumens	LPW	Lumens	LPW	Lumens	LPW
LED42	1.0A	42	NA	3104	74	3337	79	3570	85	3570	85	3570	85	
			WGG-200	2846	68	3059	73	3273	78	3273	78	3273	78	
			CGG-200	2669	64	2869	68	3069	73	3069	73	3069	73	
LED48	1.2A	48	NA	3501	73	3763	78	4026	84	4026	84	4026	84	
			WGG-200	3209	67	3451	72	3692	77	3692	77	3692	77	
			CGG-200	3010	63	3236	67	3462	72	3462	72	3462	72	
LED57	1.4A	57	NA	3991	70	4291	75	4591	81	4591	81	4591	81	
			WGG-200	3660	64	3934	69	4209	74	4209	74	4209	74	
			CGG-200	3433	60	3691	65	3948	69	3948	69	3948	69	
LED62	1.6A	62	NA	4457	72	4792	77	5127	83	5127	83	5127	83	
			WGG-200	4087	66	4394	71	4701	76	4701	76	4701	76	
			CGG-200	3832	62	4120	66	4408	71	4408	71	4408	71	
LED70	1.75A	70	NA	4772	68	5130	73	5488	78	5488	78	5488	78	
			WGG-200	4375	63	4703	67	5032	72	5032	72	5032	72	
			CGG-200	4103	59	4411	63	4719	67	4719	67	4719	67	

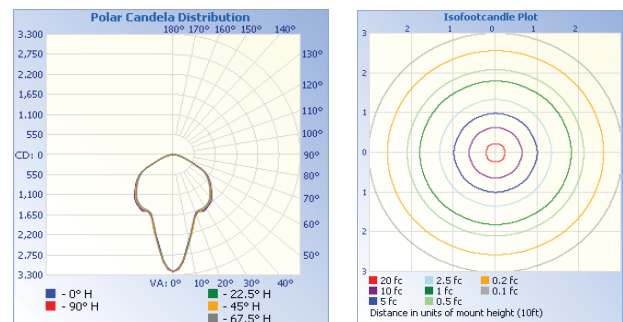
LIGHT DISTRIBUTION

NO GUARD (NA)



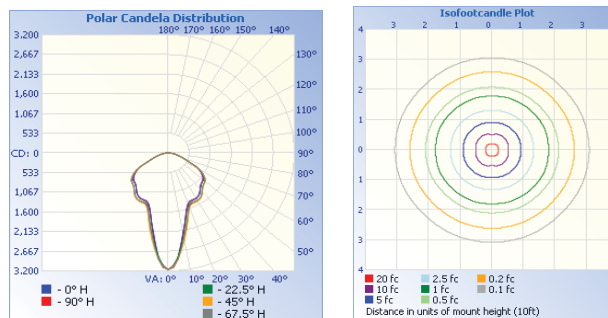
SHOWN ABOVE: THE OUTFIELD/GRIDIRON 20° SHADE LED70, 3000K

WIRE GUARD (WGG)



SHOWN ABOVE: THE OUTFIELD/GRIDIRON 20° SHADE LED70, 3000K

STANDARD CAST GUARD (CGG)



SHOWN ABOVE: THE OUTFIELD/GRIDIRON 20° SHADE LED70, 3000K

SPECIFICATIONS

CERTIFICATIONS

CSA LISTED (US AND CANADA)
 SUITABLE FOR INDOOR OR OUTDOOR USE
 SUITABLE FOR WET LOCATIONS
 MADE IN THE USA
Manufactured and hand-crafted in our 60,000 square foot facility located in Titusville, Florida

CONSTRUCTION/FINISH

COPPER-FREE ALUMINUM HOUSING
Machined from Solid Billet (Type 6061-T6)
 HIGH TEMPERATURE, NEOPRENE O-RINGS
Provide water-tight seal
 STAINLESS STEEL HARDWARE
 HEAT TREATED ALUMINUM DIE CAST LED HEAT SINK
Complete with Clear Chromate Conversion prior to Powder Coat

ELECTRICAL/LED DRIVER

POWER FACTOR > 0.9
 EFFICIENCY: UP TO 90% TYPICAL
 INPUT VOLTAGE: 120-277 VAC (SEE DIMMING SECTION)
 CLASS 2 POWER SUPPLY
 LED DRIVER LIFETIME: > 100,000 HOURS (@ 25 DEG C AMBIENT)
 IP64 MINIMUM RATING CASE WITH SILICONE-BASED POTTING PROTECTIONS
Output Open Load, Over-Current and Short-Circuit (hiccup), and Over-Temperature with Auto Recovery
 CONDUCTED AND RADIATED EMI
Compliant with FCC CFR Title 47 Part 15 Class B (120 Vac), Class A (277 Vac) and EN55015 (CISPR 15) at 220, 230 and 240 Vac
 COMPLIANT WITH
Complies with Energy Star® DLR (DesignLight Consortium®) and CA Title 24 Technical Requirements

OPTICS

PHOTOMETRIC FILES
Available upon request
 OPTIONAL CAGE GUARD
Vandal Resistant Cast Aluminum Cage Guard, Cage Thickness 0.23"

LIGHT SOURCE

5600 INITIAL LUMENS DELIVERED WITH FROSTED GLASS
Higher lumen values achievable with clear and ribbed glass
 L90(11K) > 61,000 HOURS
 INTEGRATED LED COB
 AVAILABLE CCT: 2700K, 3000K, 3500K, 4000K & 5000K
 90+ CRI (R9 TYPICAL 60)
80+ CRI and 95+ CRI (R9 Typical 85) available upon request
 3 STEP MACADAMS ELLIPSE
 EFFICACY: UP TO 90 LPW WITH FROSTED GLASS
Higher lumen values achievable with clear and ribbed glass

DIMMING

TRI-MODE DIMMING™
Compatible with TRIAC (forward-phase or leading-edge), ELV (reverse-phase or trailing-edge) and 0-10 V Dimmers
 DIMMING RANGE 1-100%
The dimming range is dependent on each specific dimmer. May not be able to achieve 1% dimming with some dimmers
 TRIAC AND ELV DIMMING ONLY AT 120 VAC
 ELV DIMMING AT 230 VAC
Available by request for LED42, LED48 and LED57
 COMPATIBLE DIMMERS
Consult factory for additional information on dimming

WARRANTY INFORMATION

LIMITED WARRANTY
For additional information on our limited warranty, please see our Terms & Conditions.