



REV 08.28.18

# WHEELER™ ESSO LED WALL SCONCE

BARN LIGHT WALL SCONCE COLLECTION

Max Weight: 10.0 lbs

PROJECT NAME \_\_\_\_\_

PROJECT TYPE \_\_\_\_\_

SPS-0221

BLE - W - WHE10 - \_\_\_\_\_ - \_\_\_\_\_ - \_\_\_\_\_ - \_\_\_\_\_ - \_\_\_\_\_ - \_\_\_\_\_  
A B C D E F

Order Example: BLE - W - WHE10 - 750 - WC - 150 - LED16 - 3000K - DL

### A - FINISHES

PORCELAIN FINISHES<sup>1,2</sup>:

- 150 Black
- 250 White
- 350 Vintage Green
- 355 Jadite
- 455 Cherry Red
- 550 Yellow
- 650 Bronze
- 750 Cobalt Blue
- 765 Delphite Blue
- 850 Graphite
- 950 Metallic Chrome

### B - WIRE CAGE

- NA None/No Wire Cage
- WC Wire Cage

### C - WIRE CAGE FINISH

Please Note: See **Section A** for all wire cage finish options. If no wire cage is selected in Section B, please select NA. Wire Cage will be powder coat painted-to-match the Porcelain Finish selected.

- NA Not Applicable
- 975 Galvanized

### D - LUMENS

- LED11 850 Lumen, 11W LED
- LED16 1250 Lumen, 16W LED

### E - COLOR TEMPERATURE

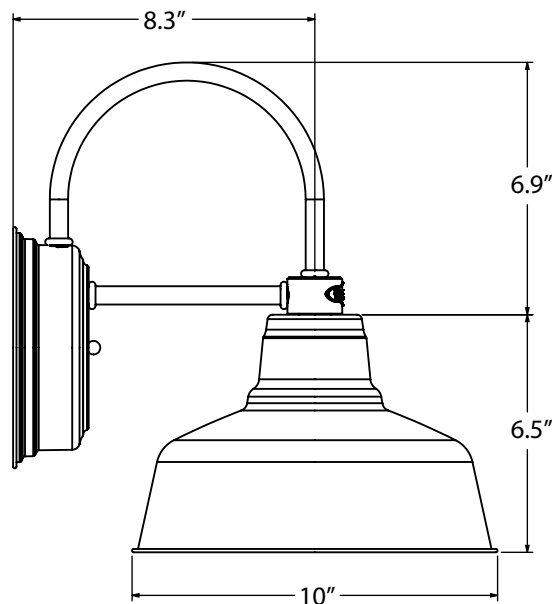
- 2700K Warm White/Soft White
- 3000K Neutral White
- 3500K Bright White
- 4000K Cool White

### F - LED LENS

- DL Domed Lens
- FL Flat Lens

**IMPORTANT:** (1) All Porcelain Enamel finished shades feature a white interior and a black outer rim (2) There are no returns accepted on this product

## DIMENSIONAL DRAWING



**LIGHT SOURCE**

All published luminaire photometric testing performed to IESNA LM-79-08 standards by a NVLAP accredited laboratory. Data is considered to be representative of the configurations shown, within the tolerances allowed by Lighting Facts. To obtain an IES file specific to your project, please contact the factory.

OPTION	WATTAGE	LUMENS	CRI	VOLTAGE	DIMMING
<b>LEDS</b>					
<b>LED11</b>	11W	850	>90	120 VAC	TRIAC
<b>LED16</b>	16W	1250	>90	120 VAC	TRIAC

**SPECIFICATIONS**

**LED SPECIFICATIONS**

LUMEN MAINTENANCE  
L90(6K) > 36,300 Hours

COLOR TEMPERATURES  
Standard Color Temperatures Available Include 2700K, 3000K, 3500K and 4000K. Custom Temperatures Available upon Request.

CRI  
Minimum 90 CRI. Consult Factory for Other CRI Options.

EFFICACY  
Up to 100 LPW Based on Wattage/Lumens in the Table

DRIVER & DIMMING OPTION  
850 and 1250 Lumen, Reliant on Triac Dimming 12W / 120V Mounted in Canopy, up to 5% Dimming

**DESIGN & FINISHES**

ESSO SHADE  
Hand-Spun from 20 Guage Sheet Metal

BACKING PLATE  
Hand-Spun from High Purity 0.050" Thick 3003-O Temper Aluminum

PORCELAIN FINISHES  
Applied by Hand and Fired in a High Temperature Oven

WALL SCONCE ARM  
1/4" Nominal (0.50" Actual) Steel/Aluminum Mounting Arm

**CERTIFICATIONS, LISTINGS & WARRANTY**

MADE IN THE USA  
Manufactured and Hand-Crafted in Our 60,000 Square Foot Facility Located in Titusville, FL

CSA LISTED FOR WET LOCATIONS

LIMITED WARRANTY  
For Additional Information on Our Limited Warranty, Please See Our Terms & Conditions