



REV 08.31.18

UNIVERSAL GOOSENECK DOUBLE VANITY LIGHT

BARN LIGHT WALL VANITY COLLECTION

Max Weight: 10.0 lbs

PROJECT NAME _____

PROJECT TYPE _____

SPS-0284

BLE - WVG2 - WHU10 - _____ - _____ - _____
A B C

Order Example: BLE - WVG2 - WHU10 - 300 - WC - 300

A - FINISHES

POWDER COAT FINISHES¹:

- 100** Black
- 105** Textured Black
- 200** White
- 300** Dark Green
- 307** Emerald Green
- 311** Jadite
- 370** Mint
- 380** Chartreuse
- 390** Teal
- 400** Barn Red
- 420** Orange
- 470** Watermelon
- 480** Blush Pink
- 490** Magenta

A - FINISHES (CONTINUED)

POWDER COAT FINISHES¹:

- 500** Buttery Yellow
- 570** Sunflower
- 600** Bronze
- 601** Chocolate
- 605** Rust
- 615** Oil-Rubbed Bronze
- 700** Royal Blue
- 705** Navy
- 710** Cobalt Blue
- 715** Delphite Blue
- 800** Industrial Grey
- 805** Charcoal Granite
- 810** Graphite
- 975** Galvanized

B - WIRE CAGE

- NA** None
- WC** (2) Wire Cages

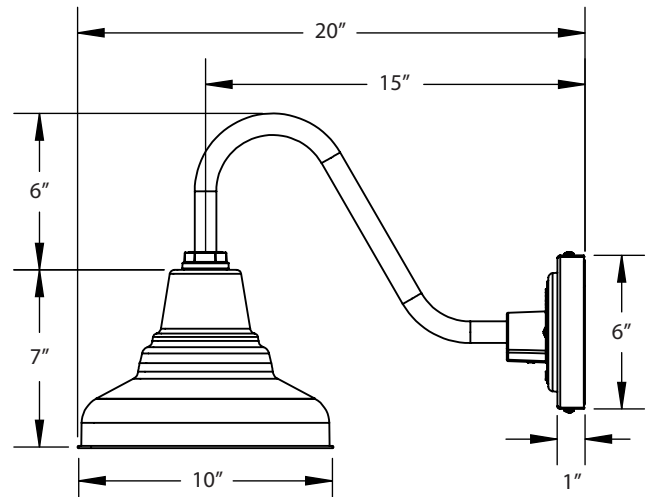
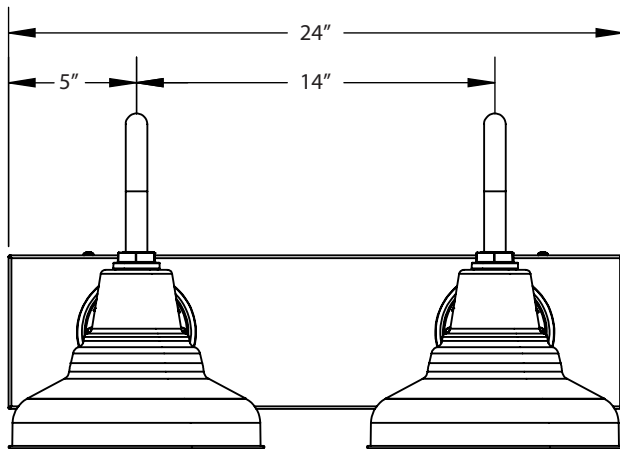
C - CAGE FINISH

*Please Note: See **Section B** for all applicable wire cage finish options. (1) If no wire cage selected in Section C, please select NA.*

- NA** Not Applicable

IMPORTANT: (1) All Powder Coat finished shades, with the exception of 975-Galvanized, feature a white interior

DIMENSIONAL DRAWING



SIDE VIEW

LIGHT SOURCE

All published luminaire photometric testing performed to IESNA LM-79-08 standards by a NVLAP accredited laboratory. Data is considered to be representative of the configurations shown, within the tolerances allowed by Lighting Facts. To obtain an IES file specific to your project, please contact the factory.

OPTION	WATTAGE	LUMENS <small>*Avg. value, actual value dependent on bulb used</small>	CRI	VOLTAGE	DIMMING
INCANDESCENT (MED E26)					
E26	100W Max	1600*	100*	120 VAC	Bulb Dependant

SPECIFICATIONS

DESIGN

BACKING PLATE
Constructed from 19 Gauge Galvanized Steel

FINISHES

POWDER COAT FINISHES
Polyester Powder Coat Finishes Are Electro-Statically Applied and Thermocured on the Shade, Mounting Arms and Backing Plate

CERTIFICATIONS, LISTINGS & WARRANTY

MADE IN THE USA
Manufactured and Hand-Crafted in Our 60,000 Square Foot Facility Located in Titusville, FL

CSA LISTED FOR DAMP LOCATIONS

LIMITED WARRANTY
For Additional Information on Our Limited Warranty, Please See Our Terms & Conditions